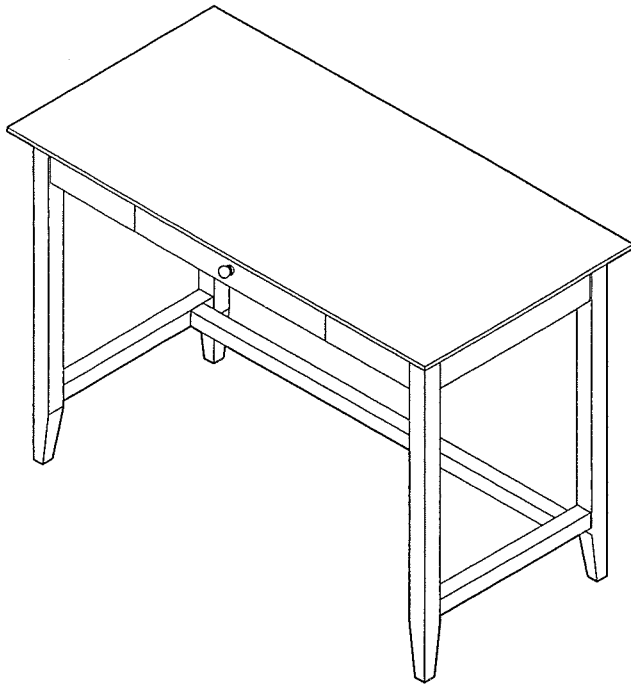


# QUADRA WRITING DESK

## ASSEMBLY INSTRUCTION

Pg.1/3



Thank you for purchasing this quality product. Be sure to check all packing material carefully for small parts that may come loose inside the carton box during shipment.

### IMPORTANT

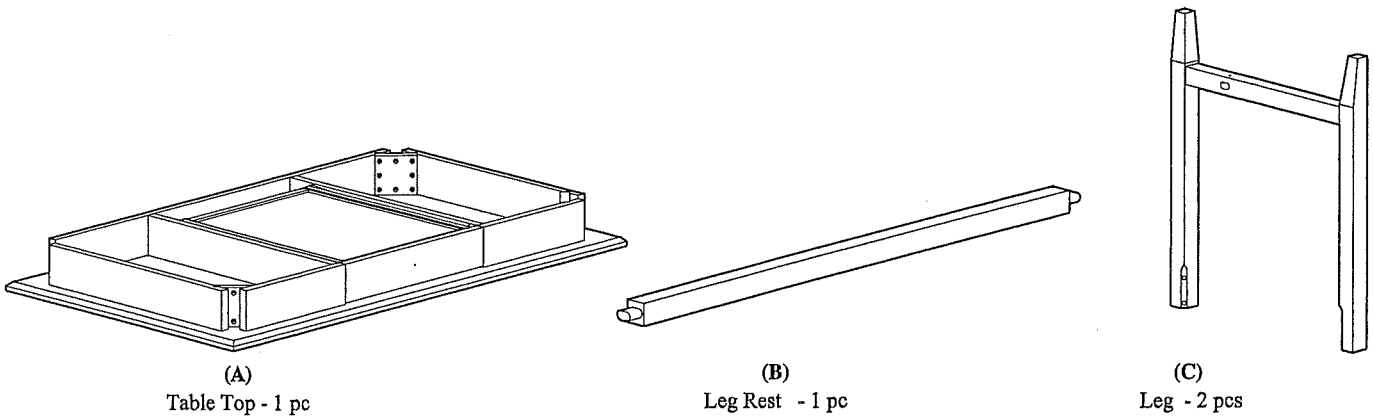
Please go through this assembly instruction before starting assembly. Kindly follow the sequence listed to assure fast, easy and correct assembly.

### CARE & MAINTENANCE








Wipe clean with soft cloth and furniture polish.

**MADE IN MALAYSIA**

### PARTS LIST

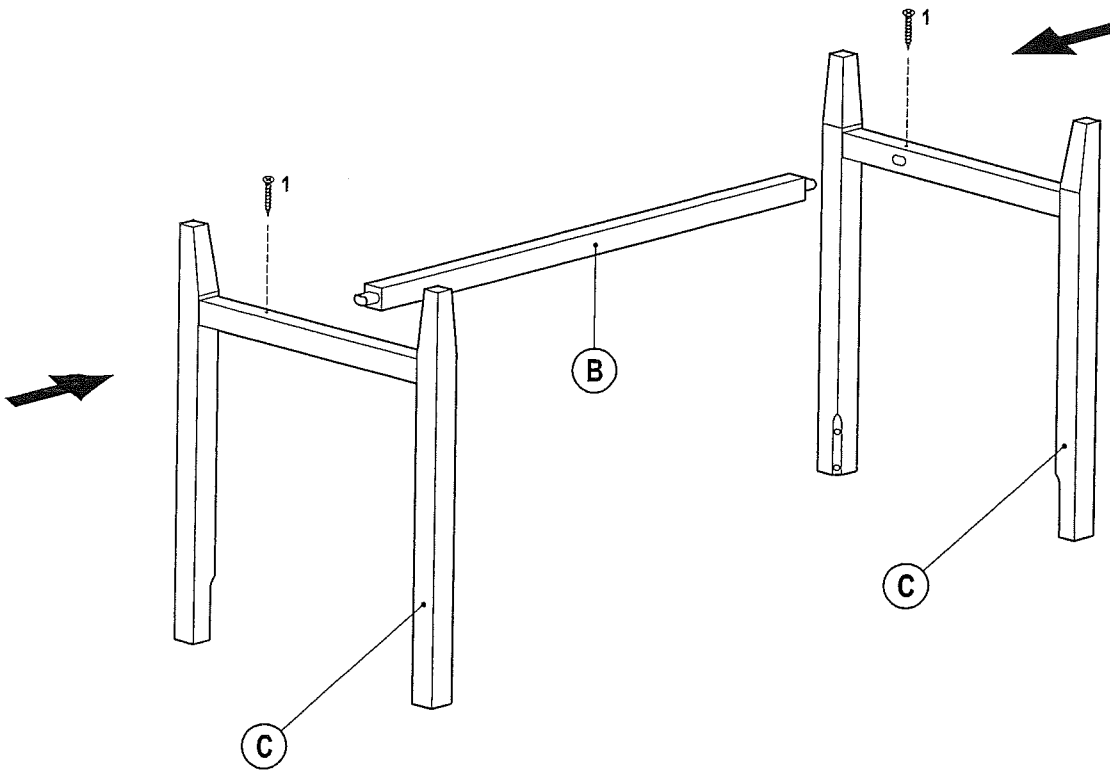


### HARDWARE LIST

- |  |   |   |   |   |
|--|---|---|---|---|
| <br>(1) M4 x 30mm Chipboard Screw - 2 pcs | <br>(2) M6 x 60mm Hexagon Bolt Screw - 8 pcs | <br>(3) M6 Spring Washer - 8 pcs | <br>(4) M6 x 16mm Flat Washer - 8 pcs | <br>(5) 10mm Wrench - 1 pc |
| <br>(6) M4x32mm Trust Head Screw - 1 pc   | <br>(7) Handle - 1 pc                        |   |   |   |

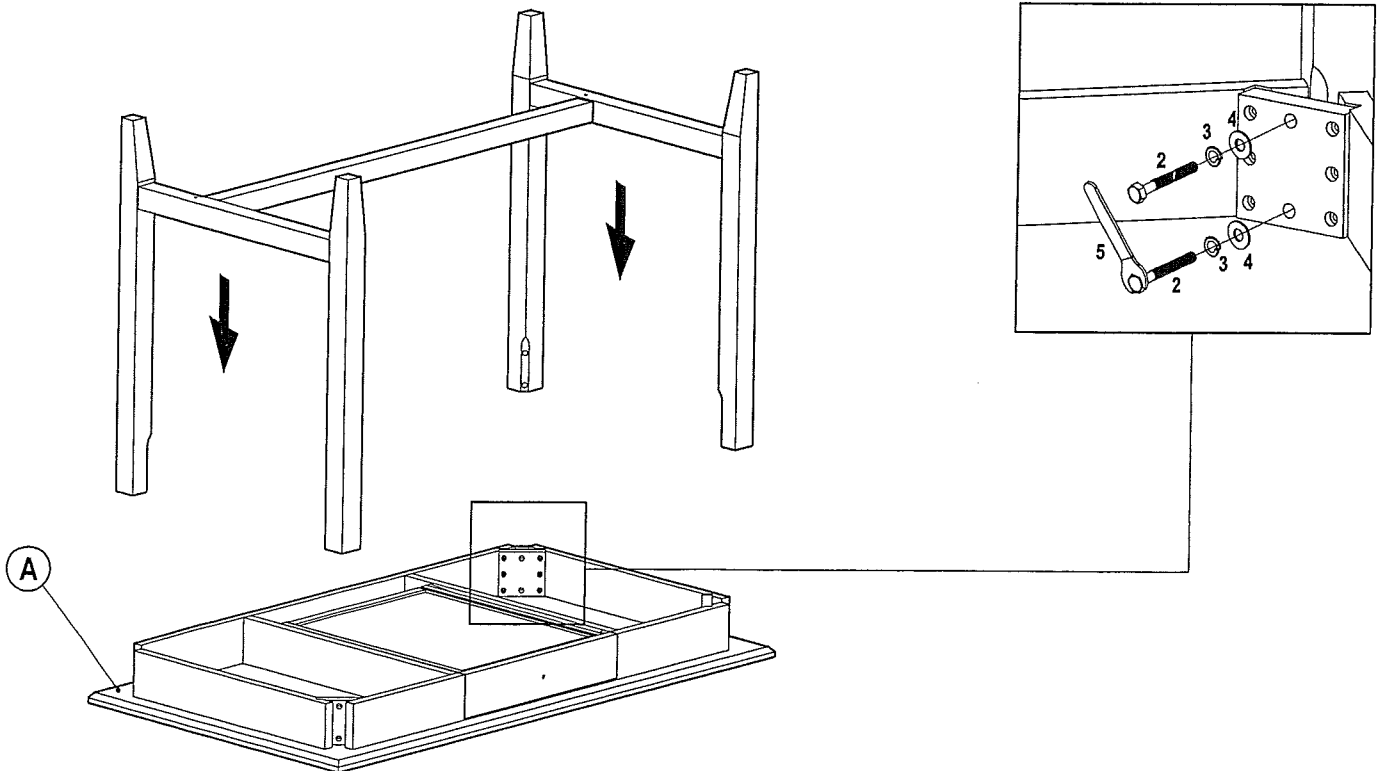
Note: EXTRA hardware are included

# QUADRA WRITING DESK ASSEMBLY INSTRUCTION



1

- (i) Attach LEG REST (B) to the LEG (C) using Chipboard Screw (1).
- (ii) Fully tighten Chipboard Screw (1) with Phillips head screwdriver.

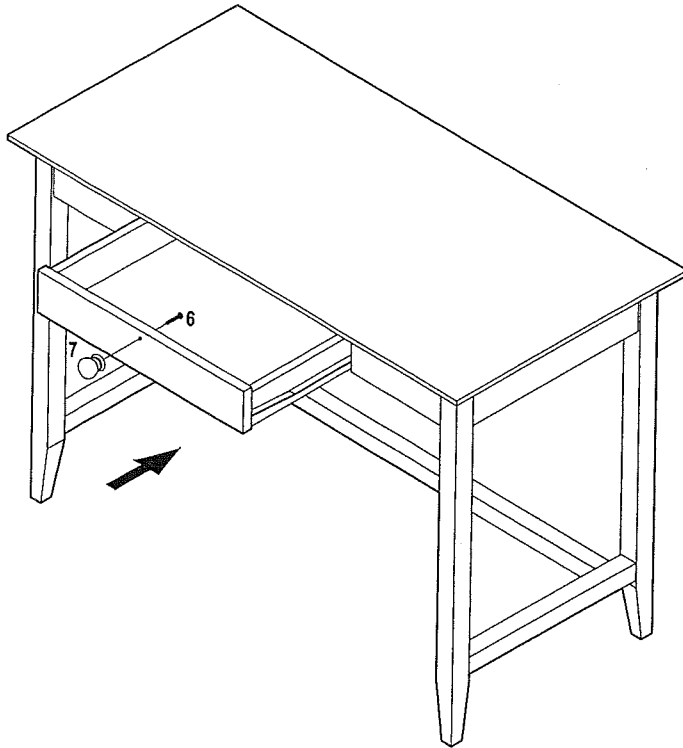


2

- (i) Carefully place the TABLE TOP (A) on a flat safe surface.  
**NOTE :** Please find a suitable surface to avoid damaging the parts.
- (ii) Attach LEG (C) to the TABLE TOP (A) using Hexagon Bolts (2) together with Spring Washer (3) & Flat Washer (4).
- (iii) Fully tighten Hexagon Bolts (2) with 10mm Wrench (5).

**QUADRA WRITING DESK**  
**ASSEMBLY INSTRUCTION**

Pg.3/3



**3**

- (i) Install Handle (7) with Trust Head Screw (6) using Philips Head Screwdriver.
- (ii) Insert Drawer to the Unit.