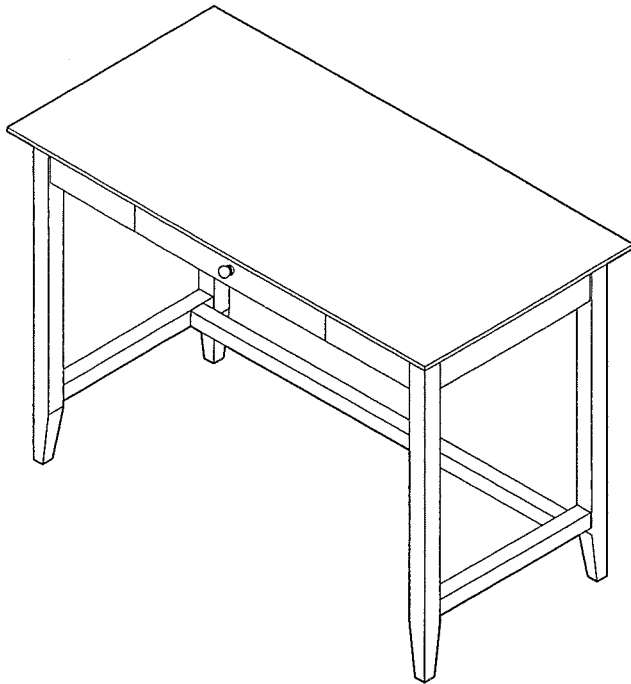


QUADRA WRITING DESK

ASSEMBLY INSTRUCTION

Pg.1/3



Thank you for purchasing this quality product. Be sure to check all packing material carefully for small parts that may come loose inside the carton box during shipment.

IMPORTANT

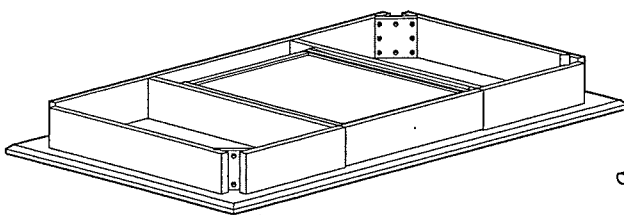
Please go through this assembly instruction before starting assembly. Kindly follow the sequence listed to assure fast, easy and correct assembly.

CARE & MAINTENANCE

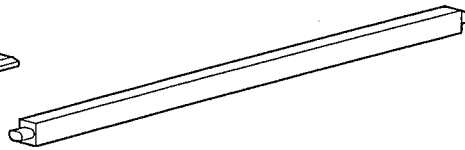
Wipe clean with soft cloth and furniture polish.

MADE IN MALAYSIA

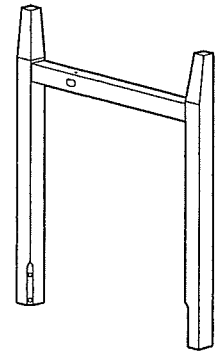
PARTS LIST



(A)
Table Top - 1 pc



(B)
Leg Rest - 1 pc



(C)
Leg - 2 pcs

HARDWARE LIST



(1) M4 x 30mm Chipboard
Screw - 2 pcs



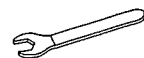
(2) M6 x 60mm Hexagon Bolt
Screw - 8 pcs



(3) M6 Spring Washer
- 8 pcs



(4) M6 x 16mm Flat
Washer - 8 pcs



(5) 10mm Wrench
- 1 pc



(6) M4x32mm Trust
Head Screw - 1 pc

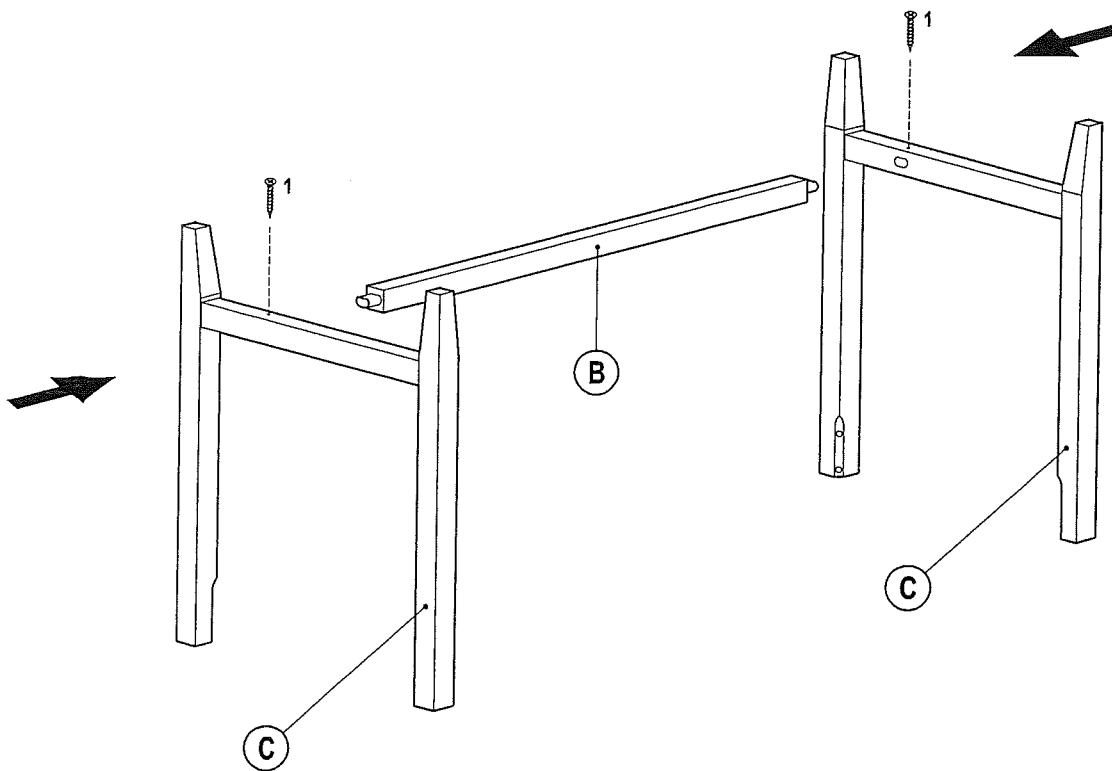


(7) Handle - 1 pc

Note: EXTRA hardware are included

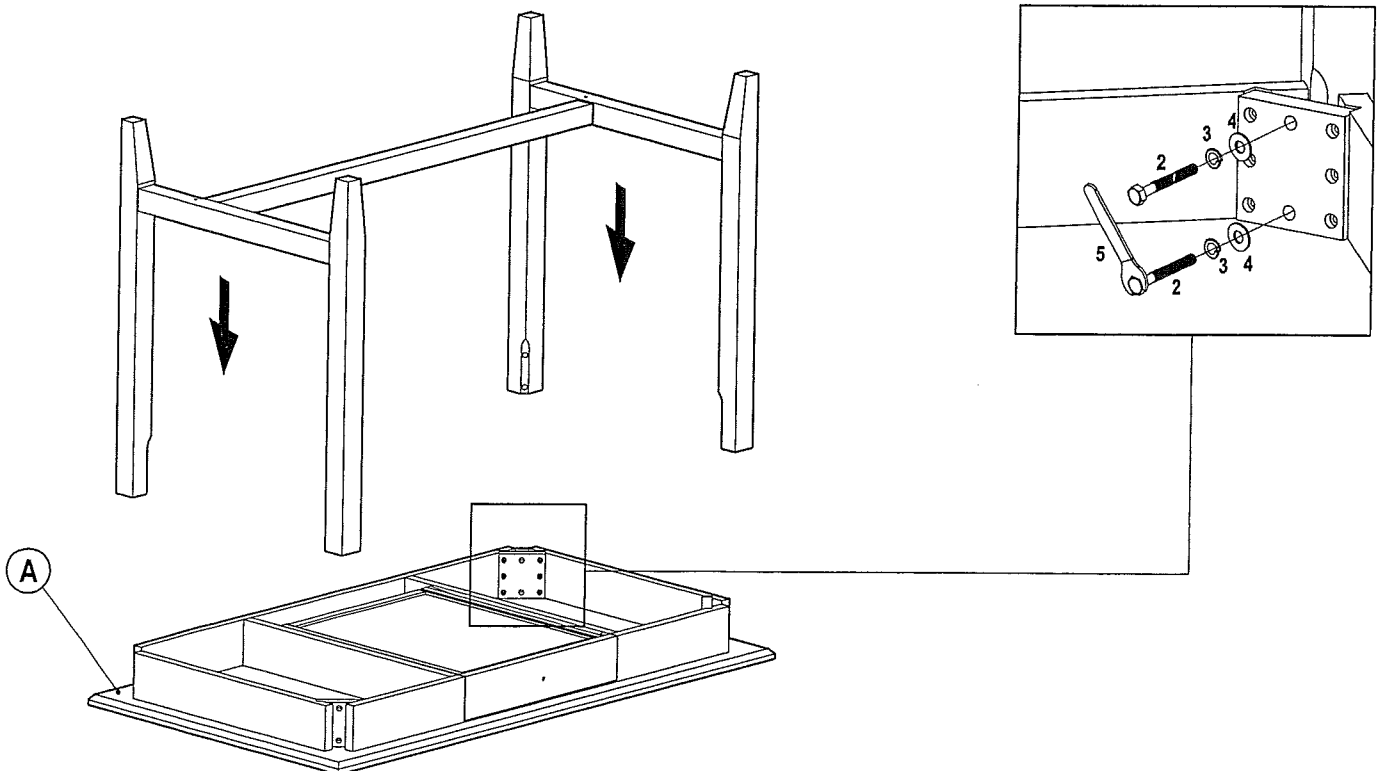
QUADRA WRITING DESK ASSEMBLY INSTRUCTION

Pg.2/3



1

- (i) Attach LEG REST (B) to the LEG (C) using Chipboard Screw (1).
- (ii) Fully tighten Chipboard Screw (1) with Phillips head screwdriver.

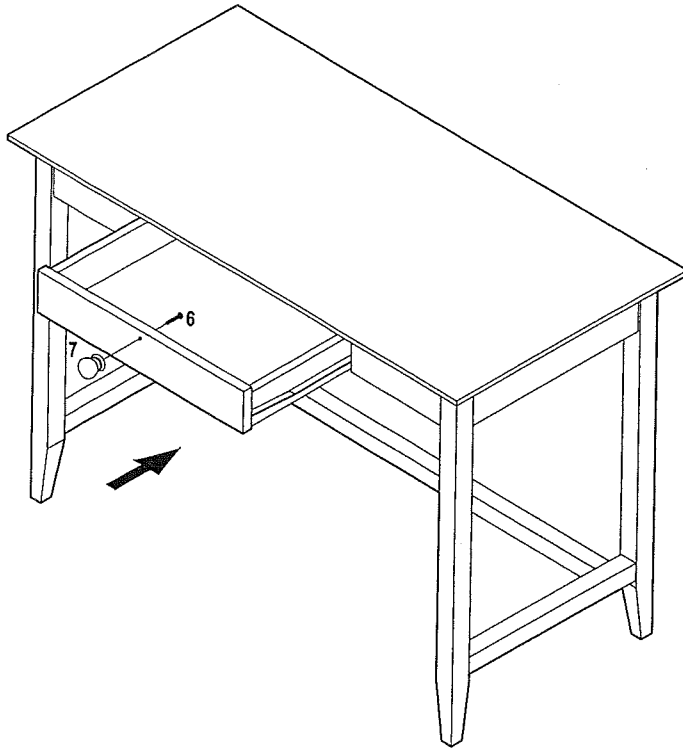


2

- (i) Carefully place the TABLE TOP (A) on a flat safe surface.
NOTE : Please find a suitable surface to avoid damaging the parts.
- (ii) Attach LEG (C) to the TABLE TOP (A) using Hexagon Bolts (2) together with Spring Washer (3) & Flat Washer (4).
- (iii) Fully tighten Hexagon Bolts (2) with 10mm Wrench (5).

QUADRA WRITING DESK
ASSEMBLY INSTRUCTION

Pg.3/3



3

- (i) Install Handle (7) with Trust Head Screw (6) using Philips Head Screwdriver.
- (ii) Insert Drawer to the Unit.