

STUDIO 47" WRITING DESK

ASSEMBLY INSTRUCTION

Pg.1/2

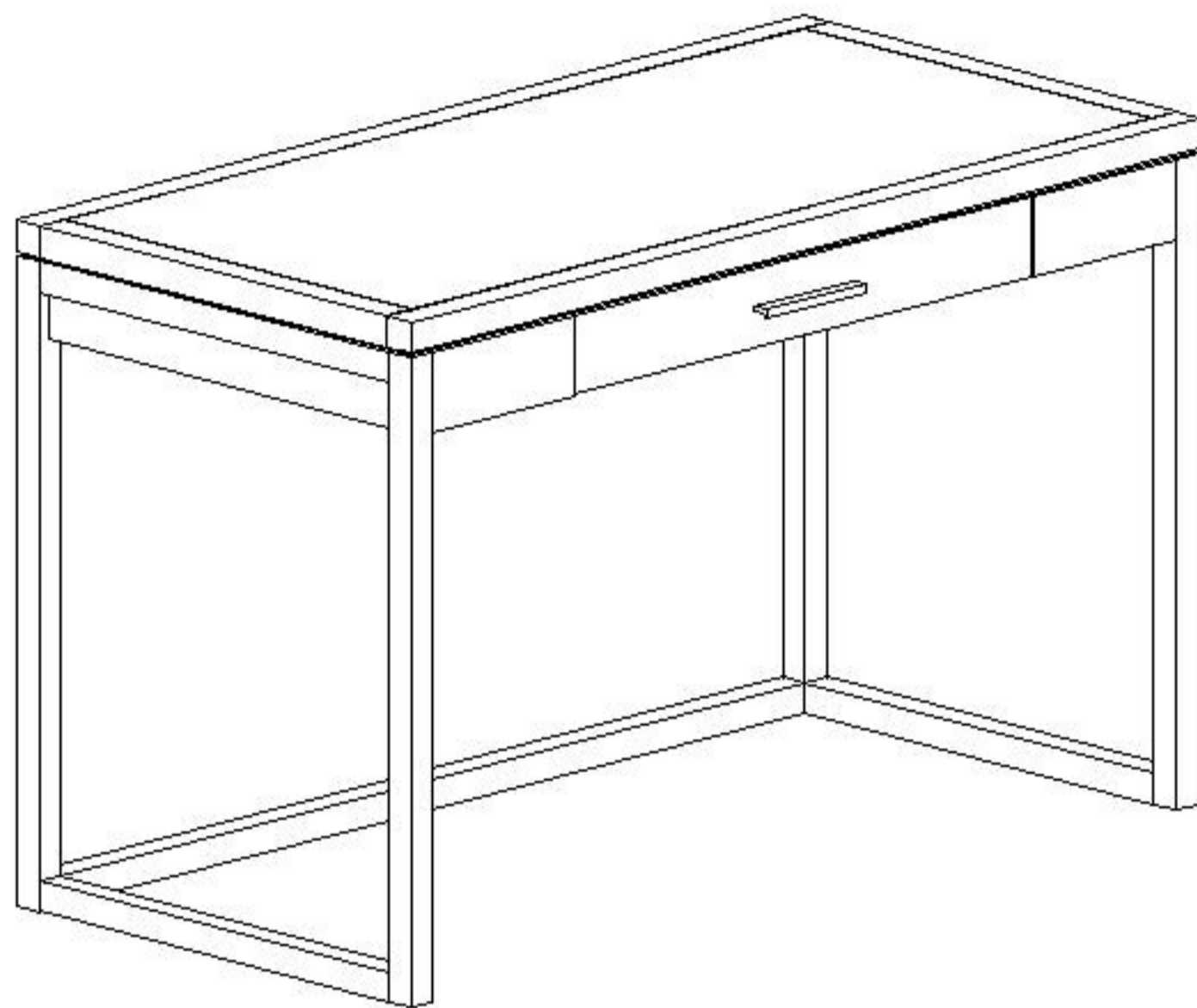
Thank you for purchasing this quality product. Be sure to check all packing material carefully for small parts that may come loose inside the carton box during shipment.

IMPORTANT

Please go through this assembly instruction before starting assembly. Kindly follow the sequence listed to assure fast, easy and correct assembly.

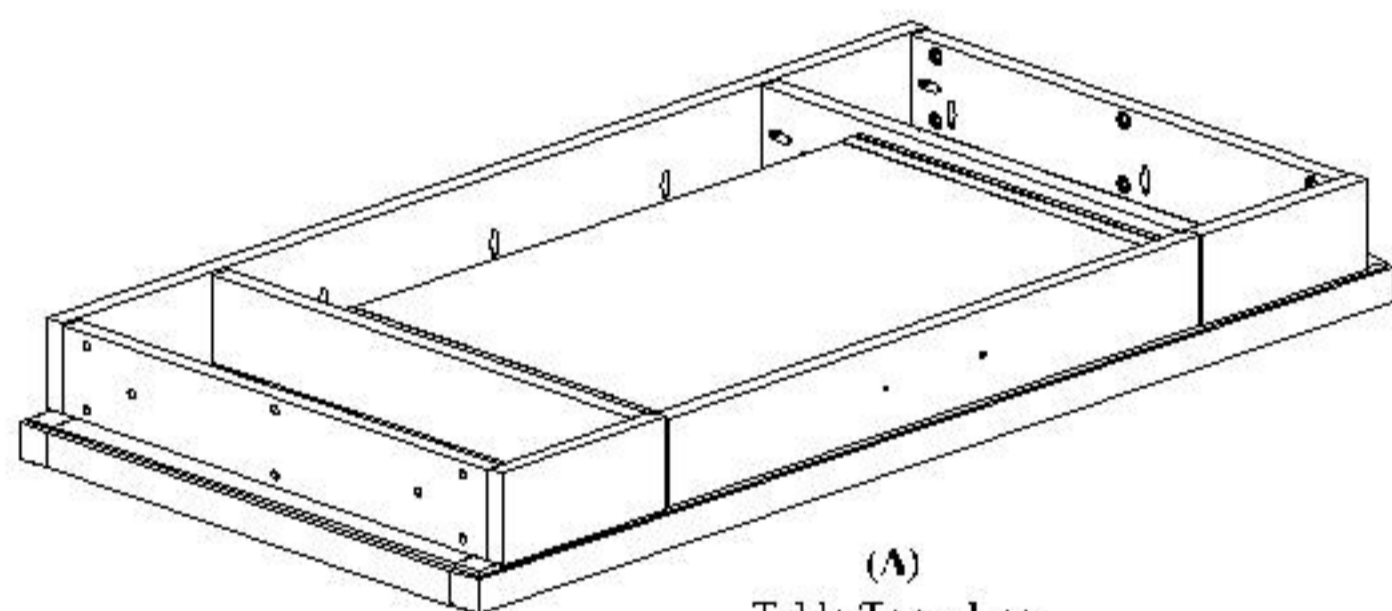
CARE & MAINTENANCE

Wipe clean with soft cloth and furniture polish.

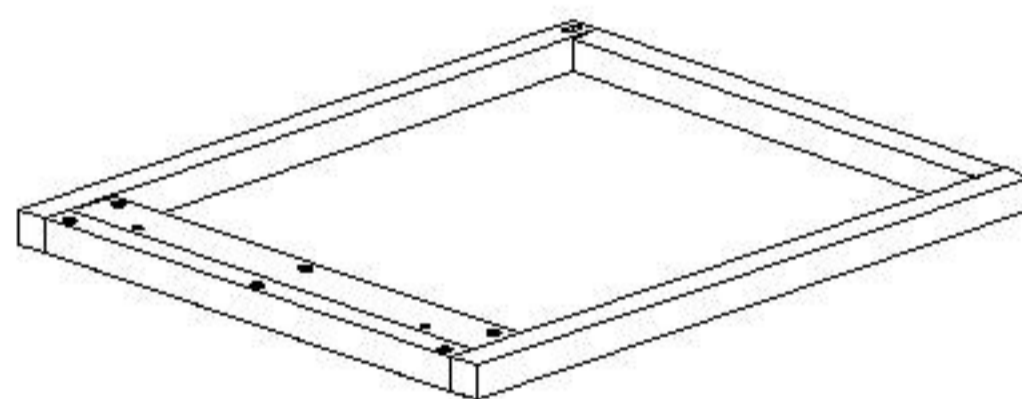


MADE IN MALAYSIA

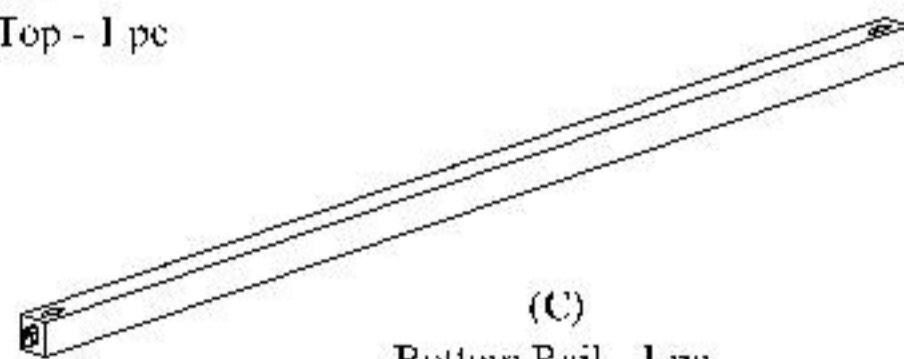
PARTS LIST



(A)
Table Top - 1 pc



(B)
Side Panel - 2 pcs



(C)
Bottom Rail - 1 pc

HARDWARE LIST



(1) 8x25mm Wooden Dowel - 4 pcs



(2) M4x38mm Chipboard Screw - 2 pcs



(3) M6x30mm JCBC Screw - 12 pcs



(4) 4mm Hex Wrench - 1 pc



(5) M4x25mm Trust Head Screw - 2 pcs

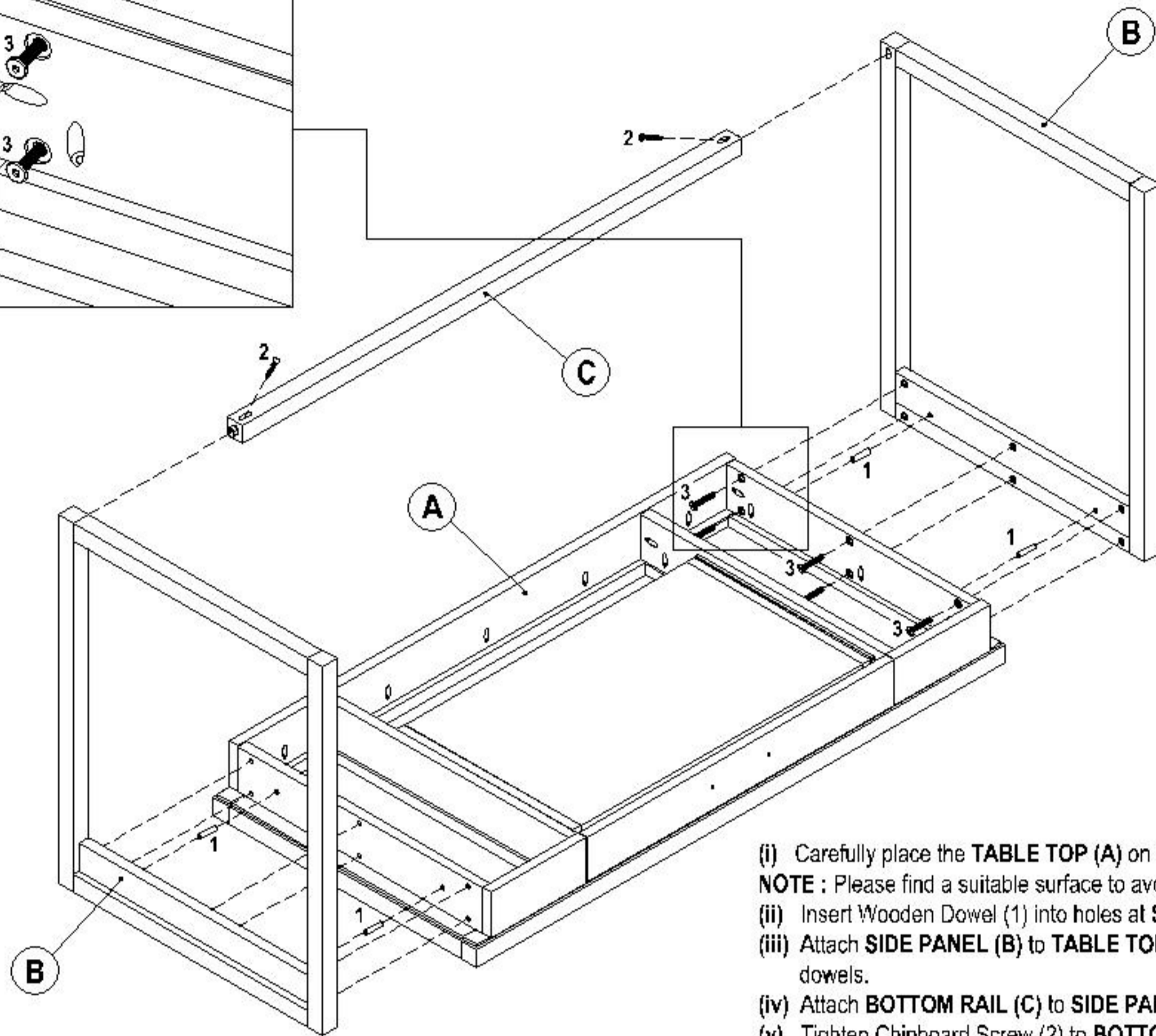
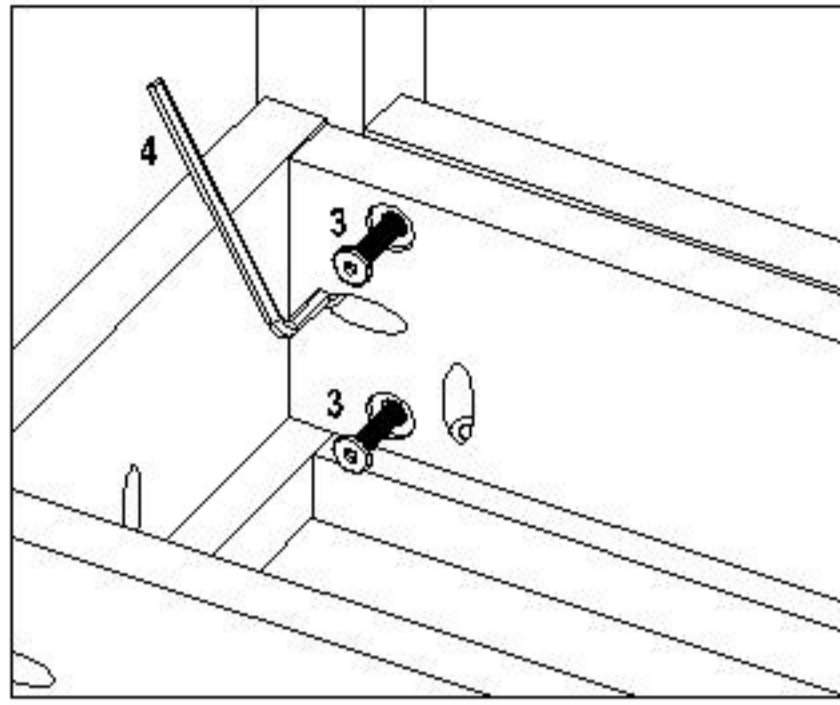


(6) Handle - 1 pc

Note: EXTRA hardware are included

STUDIO 47" WRITING DESK

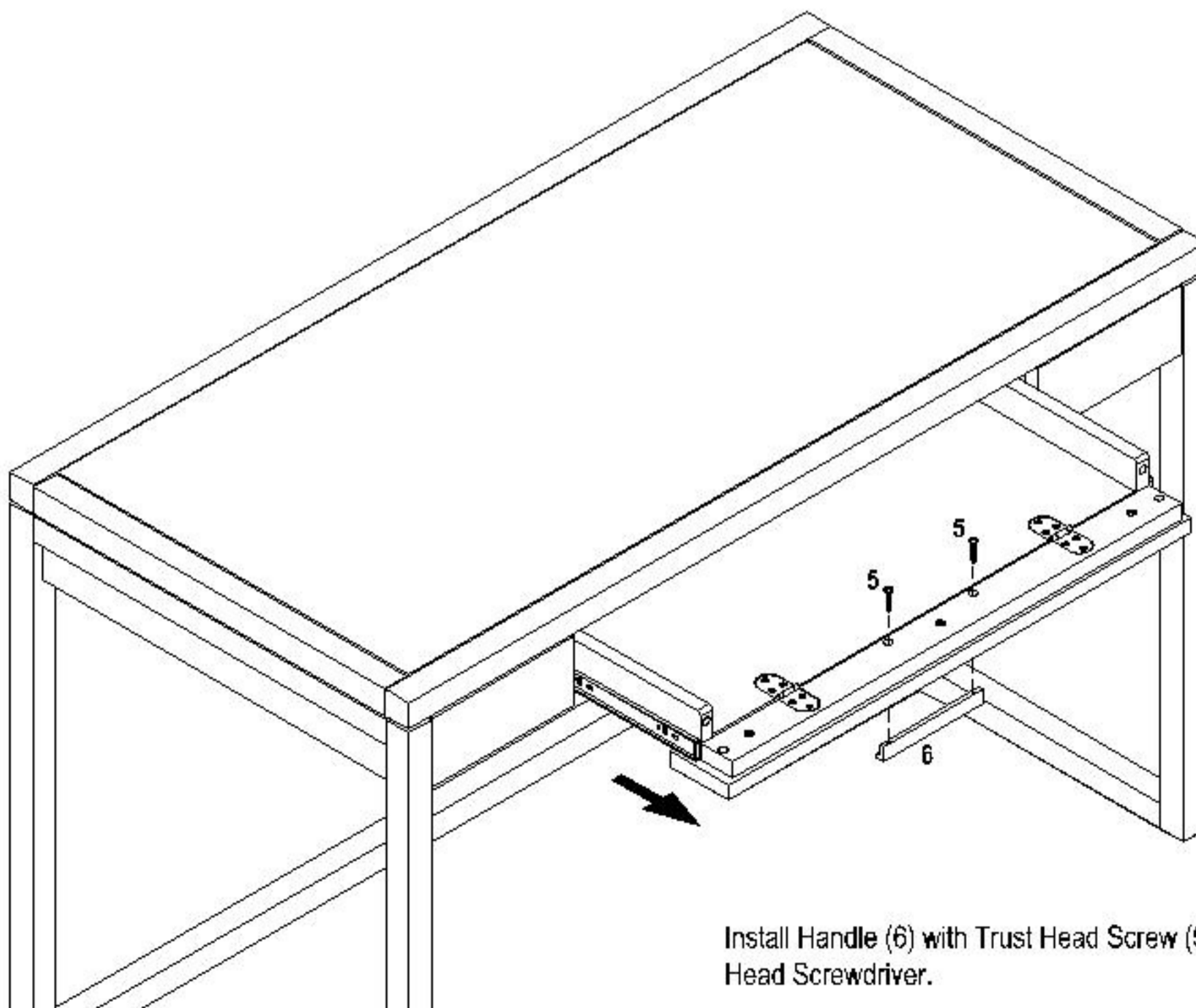
ASSEMBLY INSTRUCTION



1

- (i) Carefully place the **TABLE TOP (A)** on a flat safe surface.
NOTE : Please find a suitable surface to avoid damaging the parts.
- (ii) Insert Wooden Dowel (1) into holes at **SIDE PANEL (B)**.
- (iii) Attach **SIDE PANEL (B)** to **TABLE TOP (A)** using guiding dowels.
- (iv) Attach **BOTTOM RAIL (C)** to **SIDE PANEL (B)**.
- (v) Tighten Chipboard Screw (2) to **BOTTOM RAIL (C)** using Philips Head Screwdriver.
- (vi) Insert JCBC Screw (3) into correct hole position at **SIDE PANEL (B)**, fully tighten the screw using 4mm Hex Wrench (4).

2



Install **Handle (6)** with Trust Head Screw (5) in correct position using Philips Head Screwdriver.