





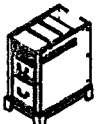



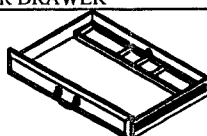


Hardware List (included in GZ257CFB)

	6 PCS Machine Bolts(1-1/4")		2 PCS Long(1-1/4") Flat Head Wood Screws
	2 PCS Keys For File Drawer Lock		4 PCS Wood Dowels (ø8x25mm)
	9 PCS Short (1") Flat Head Wood Screws		

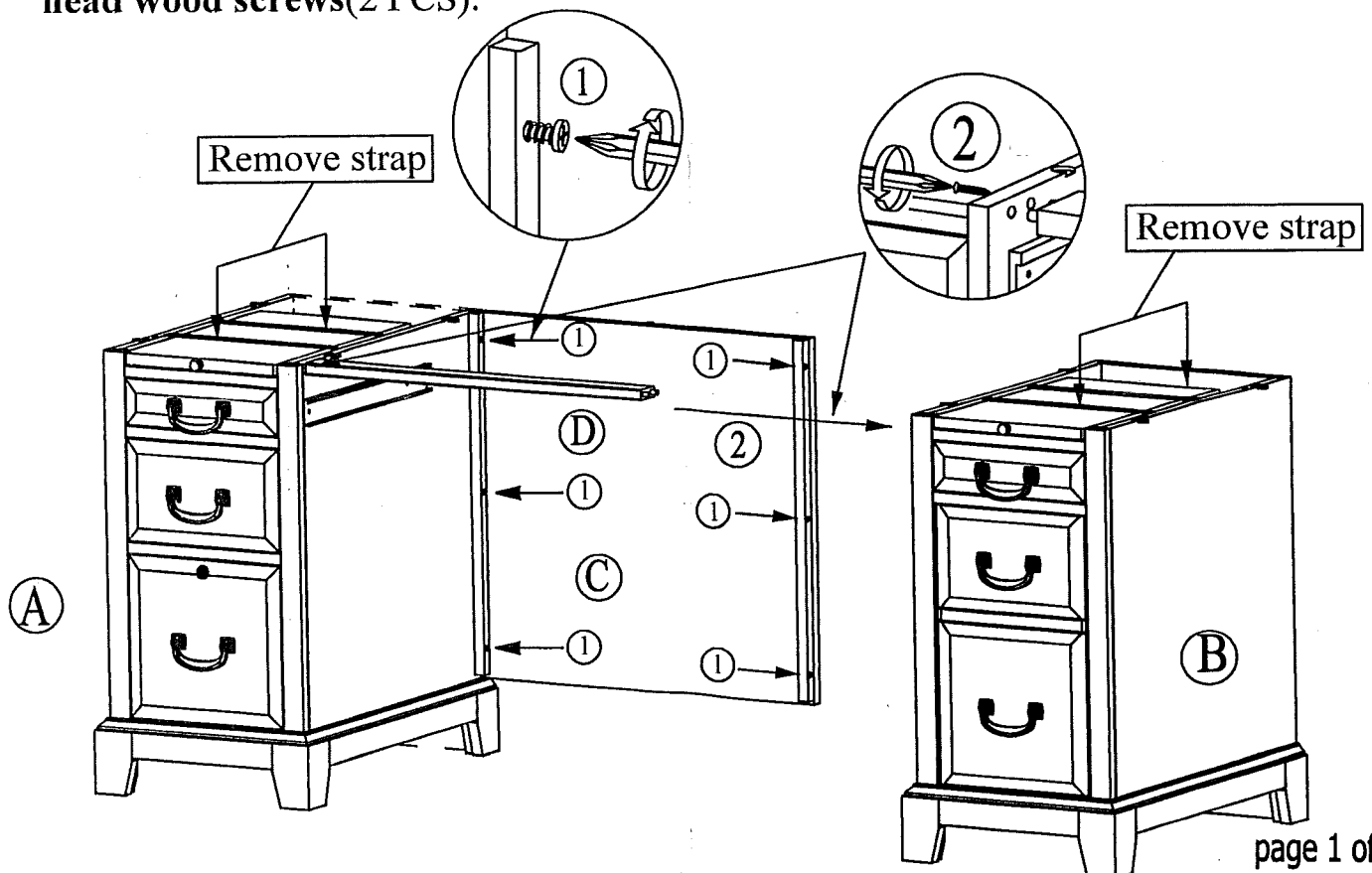
GZ257CFT Parts List		
E	DESK TOP	1 PC
		

GZ257CFB Parts List								
A	PEDESTAL	1 PC	B	PEDESTAL	1 PC	C	BACKPANEL	1 PC
								
D	CROSS BAR	1 PC	F	DROP FRONT CENTER DRAWER	1 PC			
								

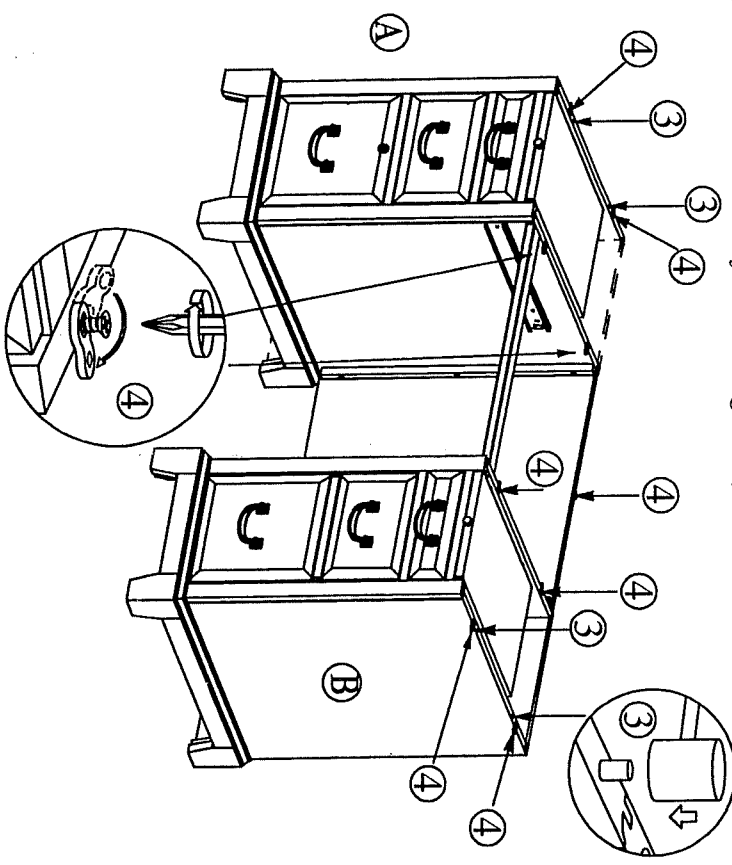
Notes: Need two people to assemble.

Instructions:

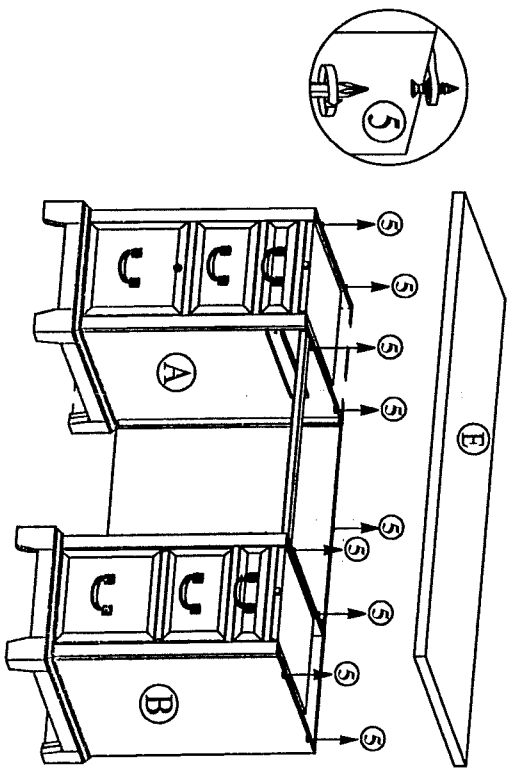
- ① Move the pedestals (A)(B) to the desired location , insert and tighten **machine bolts (1-1/4")**(6 PCS) to connect backpanel (C) to the two pedestals(A)(B).
- ② Insert center Cross Bar(D) to the two pedestals (A)(B) , tighten with **1-1/4" flat head wood screws**(2 PCS).



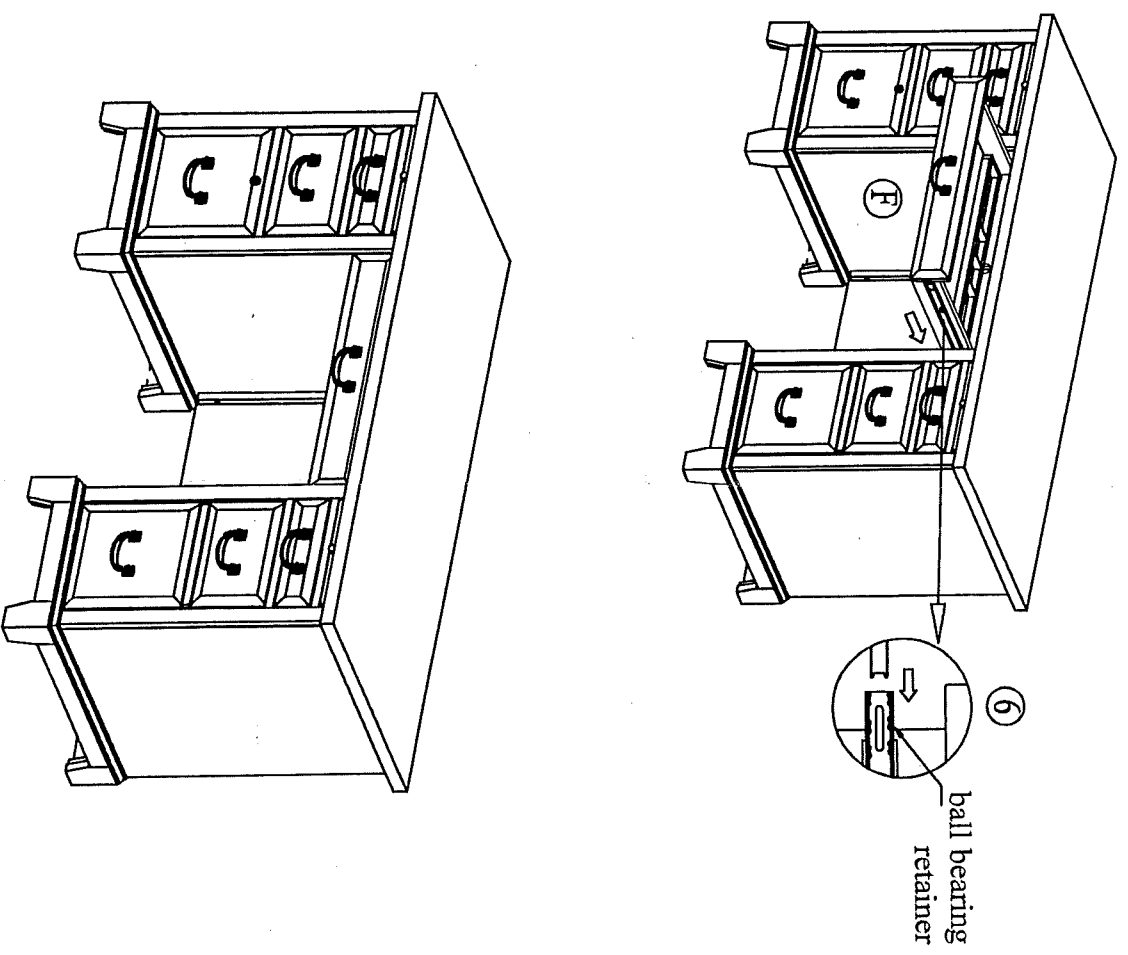
- ③ Insert two wood dowels(4 PCS) in each pedestals (A)(B).
- ④ Loosen the screw to adjust metal figure 8 (9 PCS) of its direction of the panel.



- ⑤ Insert short (1") flat head wood screws (9 PCS) through metal figure 8 to connect desk top (E) and pedestals (A)(B).



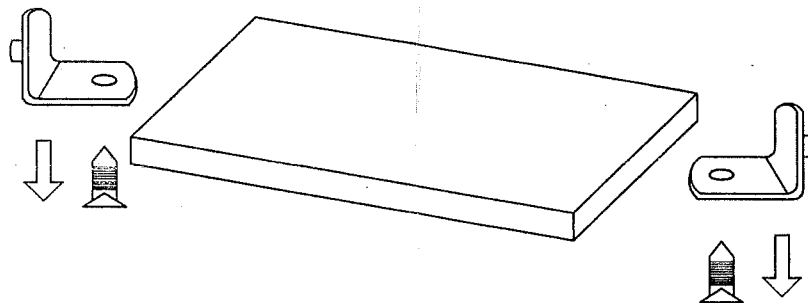
- ⑥ Install the Drop Front center Drawer (F) to place.
Important:
 (Be sure to move the ball bearing retainer all the way to the front of the glide and carefully slide the rails into the glides and ball bearing retainer.)



Assembly is now complete.

WINERS ONLY®

ASSEMBLY INSTRUCTION



Please remove the screws from both clips in order to adjust the shelf to desired position.