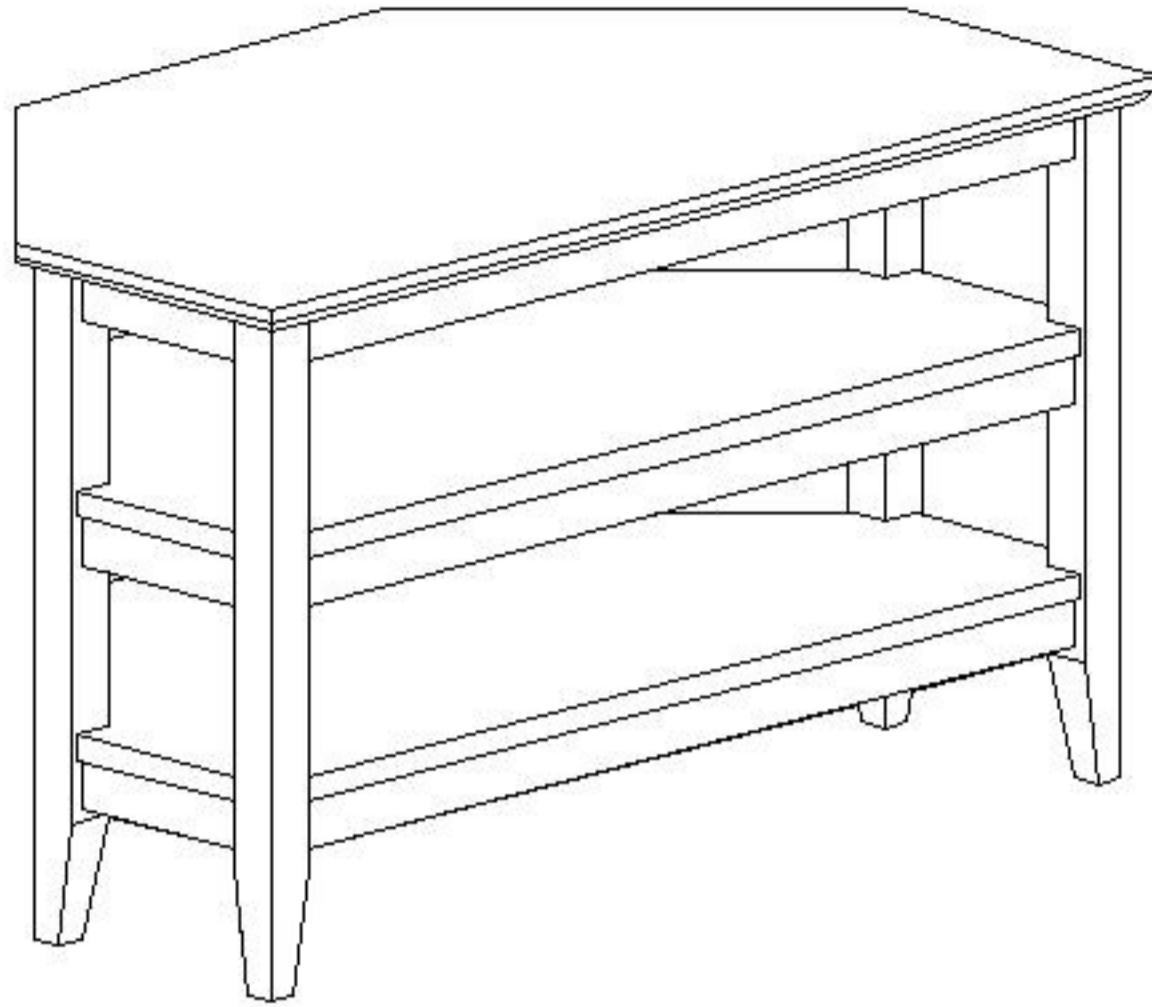


# QUADRA CORNER TV STAND

## ASSEMBLY INSTRUCTION

Pg.1/2



Thank you for purchasing this quality product. Be sure to check all packing material carefully for small parts that may come loose inside the carton box during shipment.

### IMPORTANT

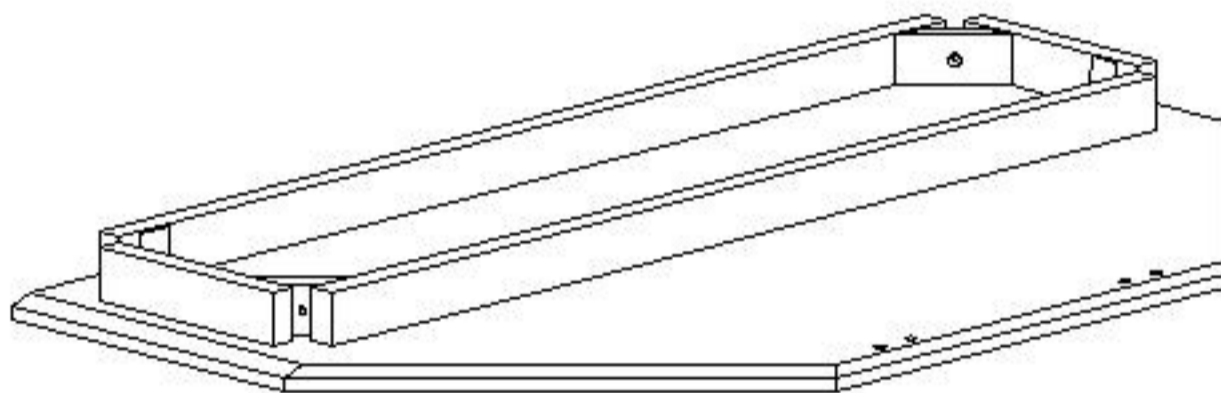
Please go through this assembly instruction before starting assembly. Kindly follow the sequence listed to assure fast, easy and correct assembly.

### CARE & MAINTENANCE

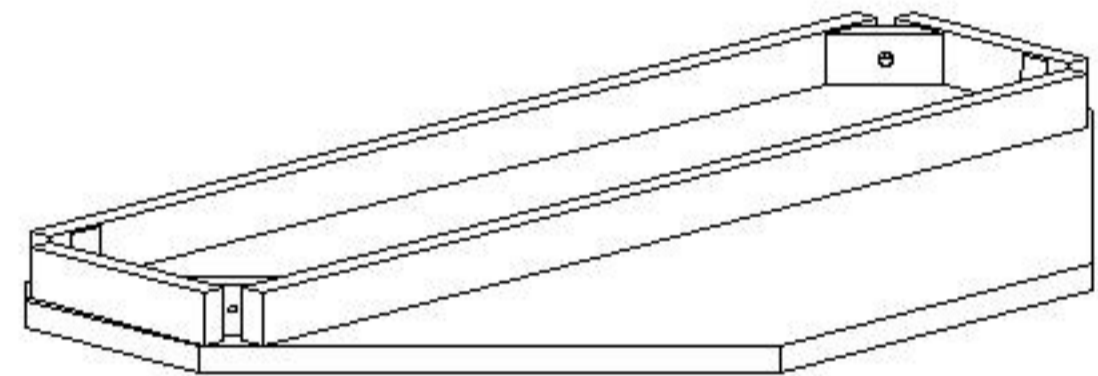
Wipe clean with soft cloth and furniture polish.

MADE IN MALAYSIA

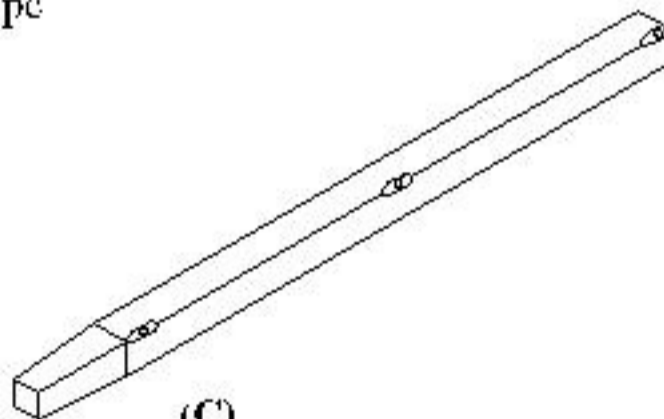
### PARTS LIST



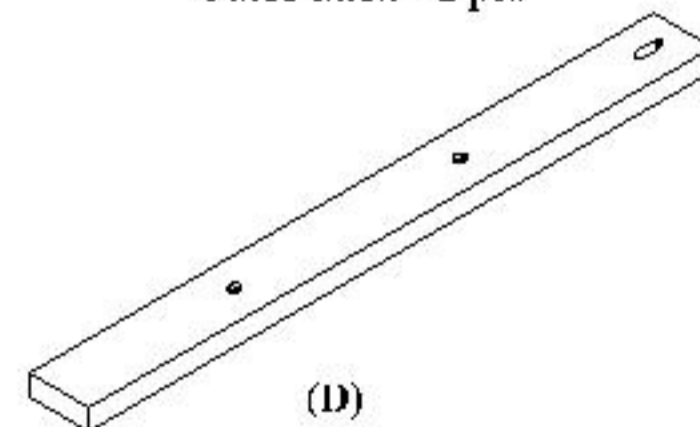
(A)  
Table Top - 1 pc



(B)  
Fixed Shelf - 2 pcs



(C)  
Leg - 4 pcs



(D)  
Back Leg - 2 pcs

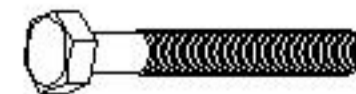
### HARDWARE LIST



(1) Wooden Dowel - 4 pcs



(2) M4 x 30mm Chipboard  
Screw - 6 pcs



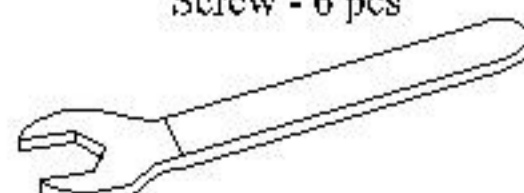
(3) M6x60mm  
Hexagon Bolt - 12 pcs



(4) M6 Spring  
Washer - 12 pcs



(5) M6x16mm Flat  
Washer - 12 pcs



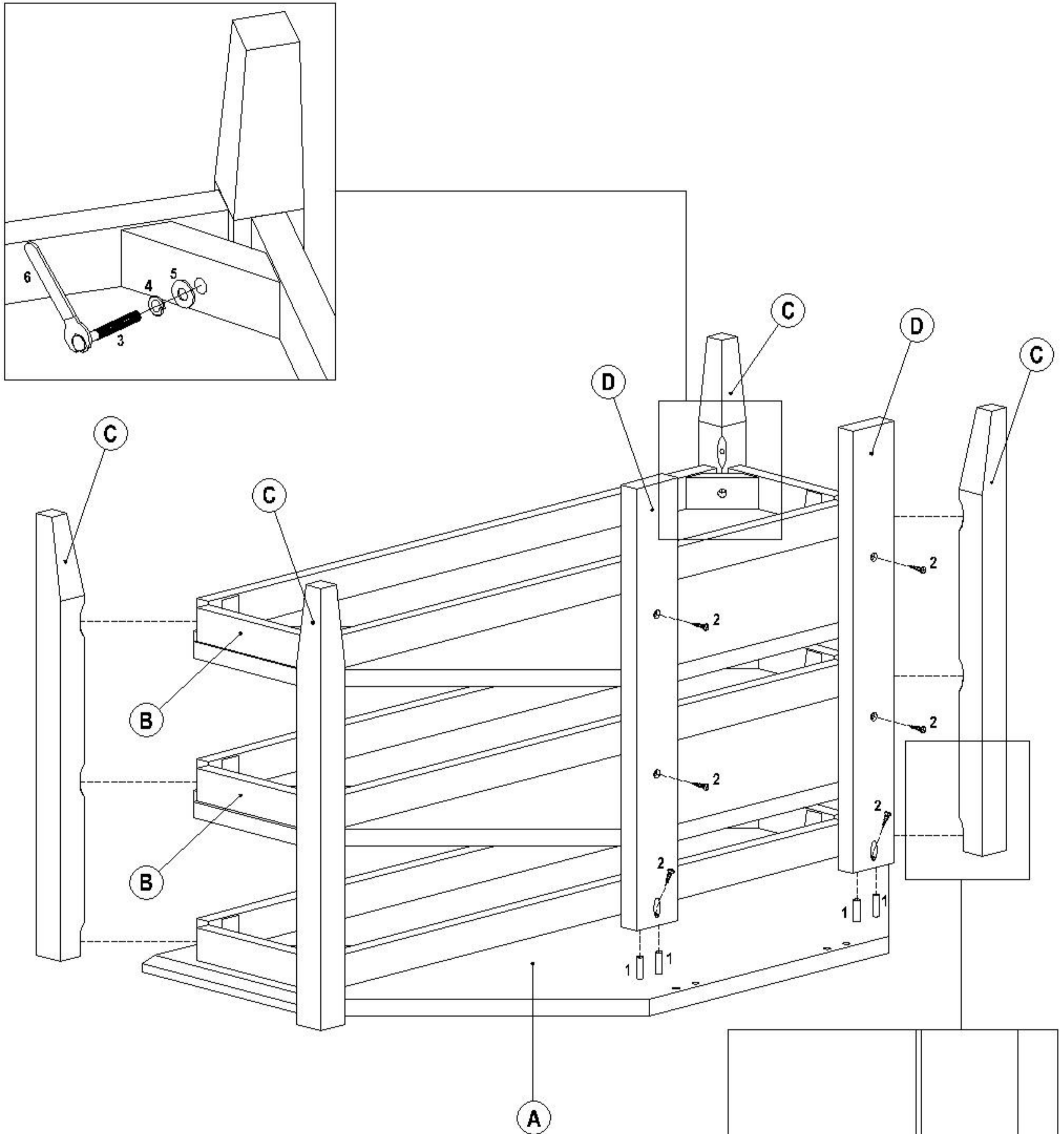
(6) 10mm Wrench - 1 pc

Note: EXTRA hardware are included

# QUADRA CORNER TV STAND

## ASSEMBLY INSTRUCTION

Pg.2/2



- 1**
- (i) Insert Wooden Dowel (1) into holes at top of **BACK LEG (D)**.
  - (ii) Carefully place the **TABLE TOP (A)** on a flat safe surface.  
**NOTE :** Please find a suitable surface to avoid damaging the parts.
  - (iii) Attach **LEG (C)** to the **TABLE TOP (A) & FIXED SHELF ( B )** using Hexagon Bolts (3) together with Spring Washer (4) & Flat Washer (5).
  - (iv) Attach **BACK LEG (D)** to **TABLE TOP (A)** using guiding dowels. Tighten M4x30mm Chipboard Screw (2) to **BACK LEG (D)** using Philips Head Screwdriver.
  - (v) Fully tighten Hexagon Bolts (3) with 10mm Wrench (6).

