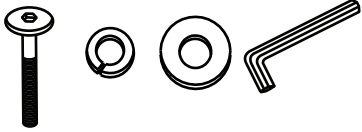
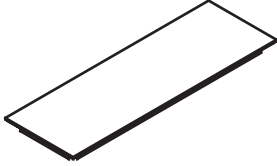
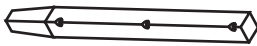
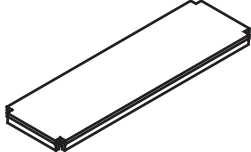


Assembly Instructions

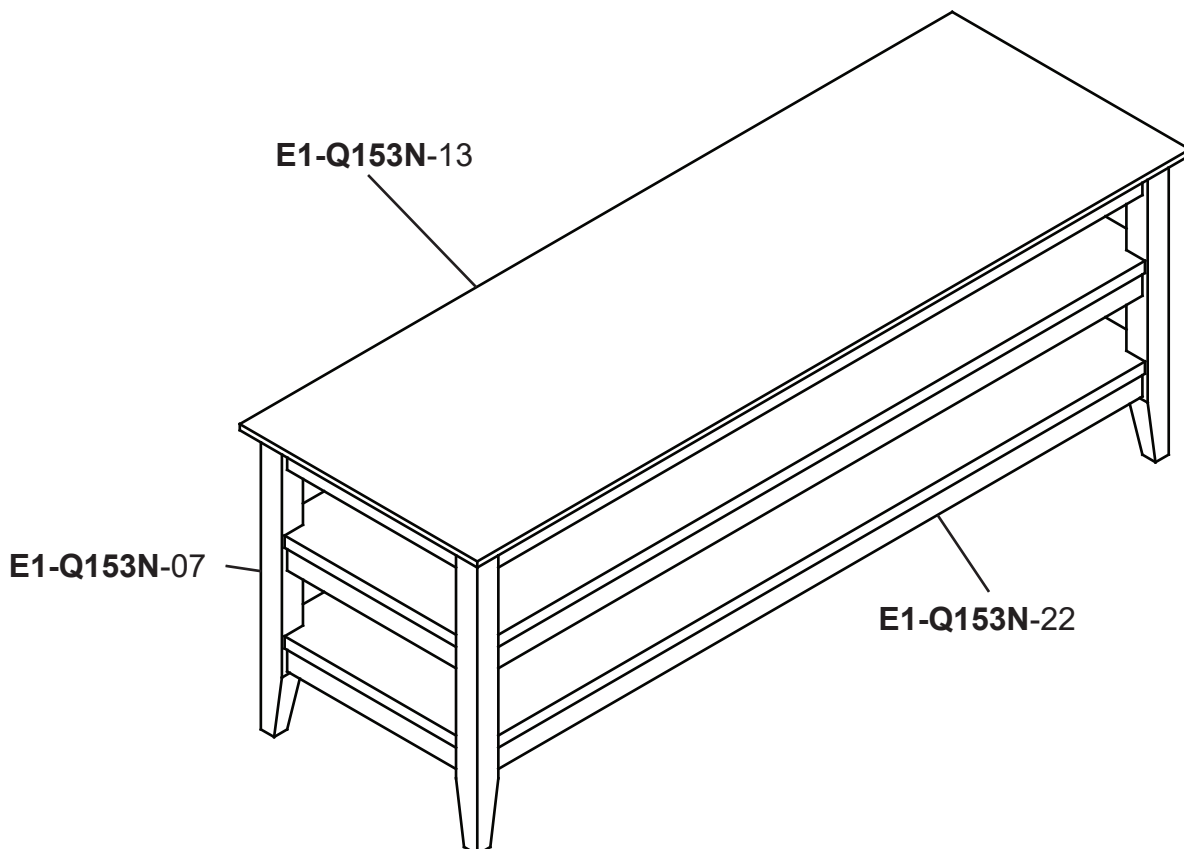
E1-Q153N

SOLID R/W ENTERTAINMENT UNIT

PARTS LIST

PART NO	FIGURE	DESCRIPTION	QTY
E1-Q153N-01		Hardware Bag	1 pce
E1-Q153N-13		Top	1 pce
E1-Q153N-07		Legs	4 pcs
E1-Q153N-22		Fixed Shelf	2 pcs

IMPORTANT NOTE : Please keep all hardware parts out of the reach of children.



Assembly Instructions




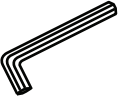
E1-Q153N

SOLID R/W ENTERTAINMENT UNIT

Reminders :

Two people are needed for assembly.
Use only hardware supplied.
Do not over tighten bolts.
This item may require periodic tightening.

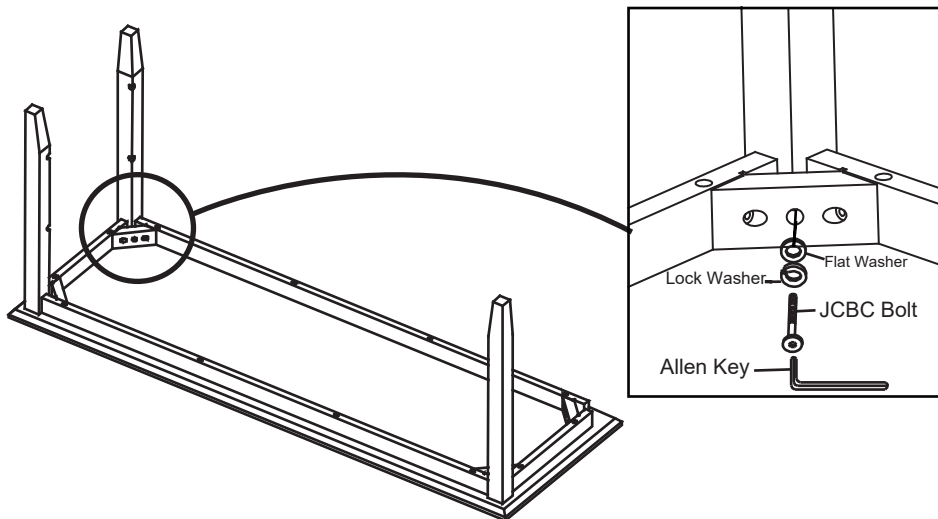
HARDWARE PART :

			
JCBC Bolt 12 pcs	Lock Washer 12 pcs	Flat Washer 12 pcs	Allen Key 1 pce

ASSEMBLY :

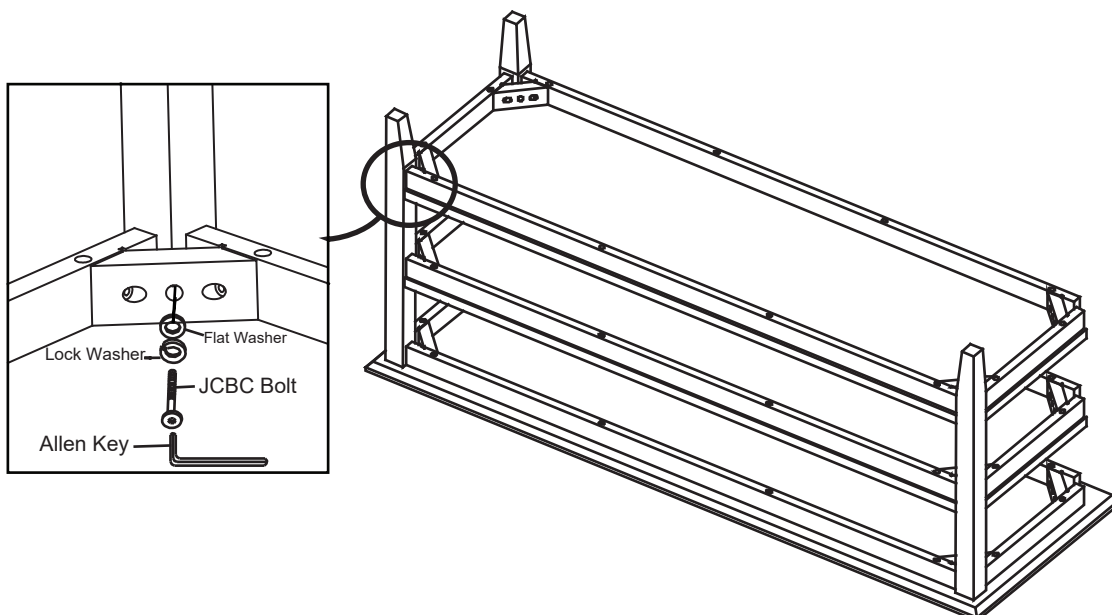
STEP 1

Turn the Top upside down on a protective surface such as carpet or other soft material. Place the three legs to the corner of the apron then insert the **Flat Washer**, **Lock Washer** and **JCBC Bolt** into pre-drilled holes on the corner block and tighten it by using the **Allen key** provided.



STEP 2

Insert the Fixed Shelf into the assembly legs as shown in the diagram, then install the fourth leg by use **Flat Washer**, **Lock Washer** and **JCBC Bolt** into pre-drilled holes on the corner block and tighten it by using the **Allen key** provided.



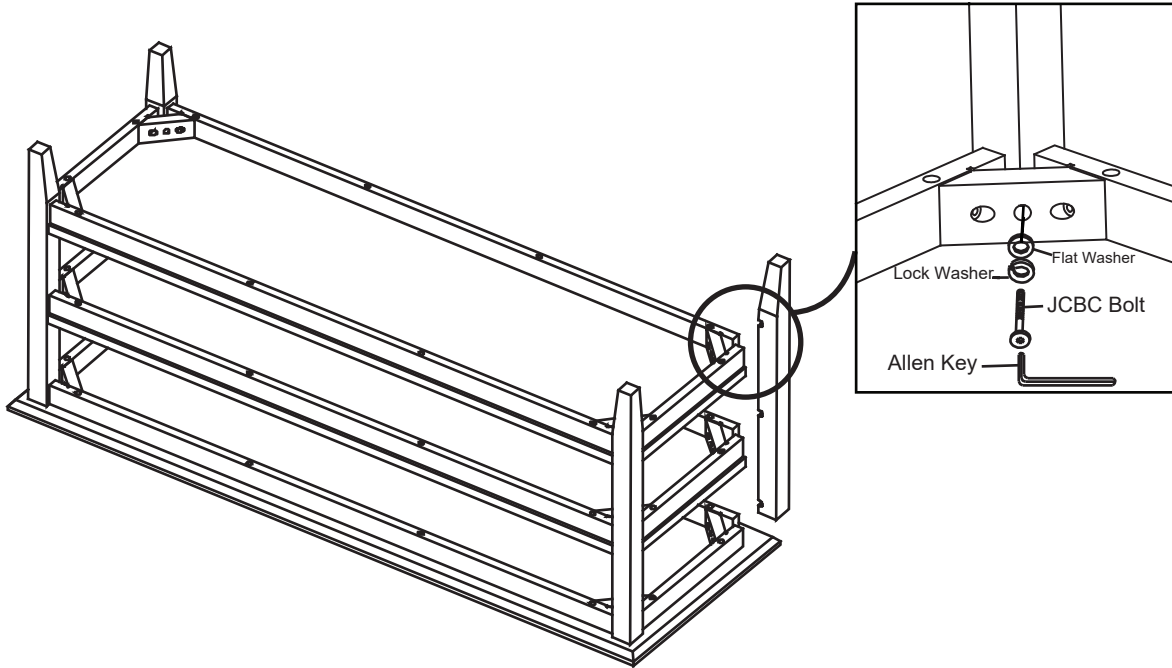
Assembly Instructions

E1-Q153N

SOLID R/W ENTERTAINMENT UNIT

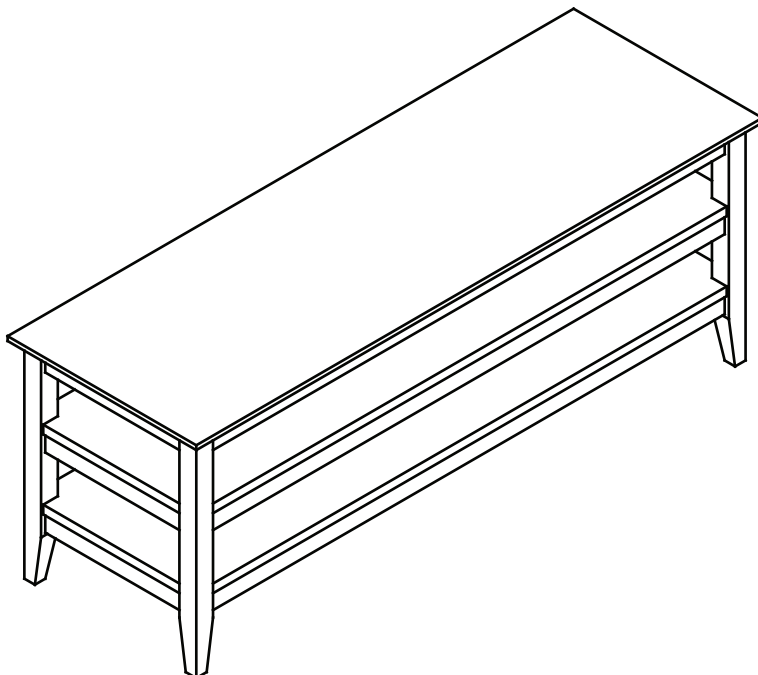
STEP 3

Then install the fourth leg by use **Flat Washer**, **Lock Washer** and **JCBC Bolt** into pre-drilled holes on the corner block and tighten it by using the **Allen key** provided.



STEP 4

Check its balance and tighten all bolts to complete the assembly.



IMPORTANT NOTE :

~ Please keep all hardware out of the reach of children.

CARE INSTRUCTION

~ Be sure to use the same type of polish consistently. Your furniture will appear cloudy or streaky if oil based or wax based polishes are interchanged.
~ Spray your furniture surface evenly. Wipe in a circular motion with a soft clean cloth.