









Assembly Instruction

T1-54257

Hardware List :

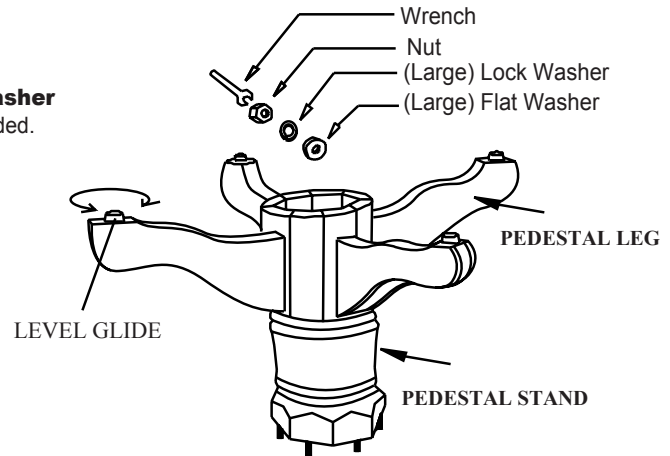
Oval Solid Top Butterfly Extension Table

							
Nut 12 pcs	(Large) Lock Washer 12 pcs	(Large) Flat Washer 12 pcs	Wrench 1 pc	Bolt M6 8 pcs	(Small) Lock Washer 8 pcs	(Small) Flat Washer 8 pcs	Allen Key 1 pc

ASSEMBLY:

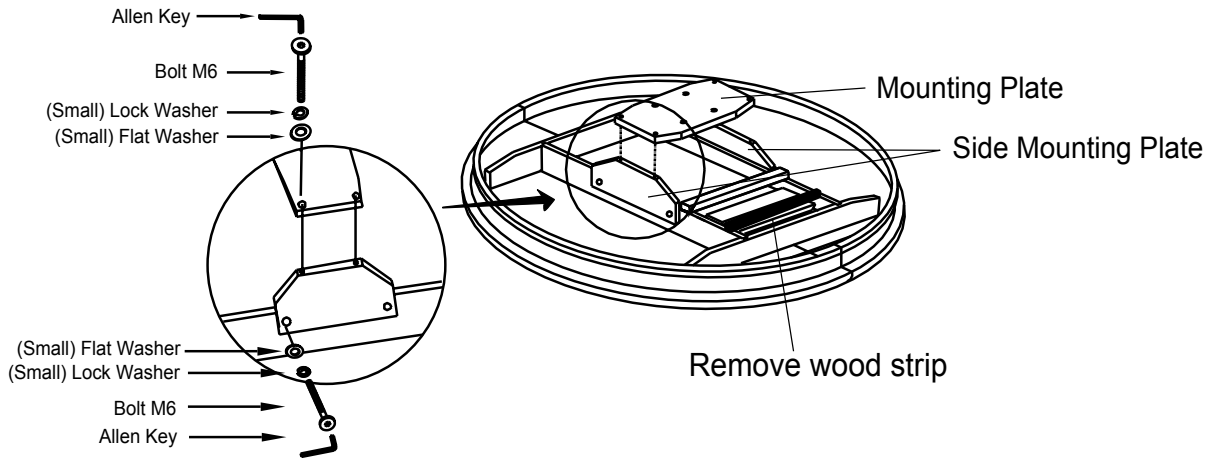
STEP 1

Turn the pedestal upside down. Attach legs by inserting hanger bolts through pre-drilled holes on pedestal, insert **Flat Washer, Lock Washer** and **Nut** onto the **Hanger Bolt** then tighten with the **Wrench** provided. Turn the base right side up.



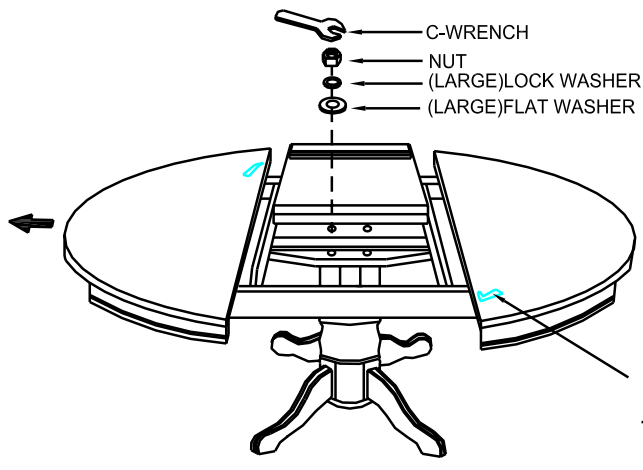
STEP 2

Position the table top upside down on a smooth, protective surface such as carpet. **Remove and discard the temporary wood strip.** Install the side panel and secure with **Flat Washer, Lock Washer** and **Bolt**. Attach mounting plate as shown. Secure with **Flat Washer, Lock Washer** and **bolt**, then tighten all the bolts with **Allen Key** provided.



STEP 3

Unlock the hooks underneath the table and pull the table top wide open equally from bolt ends. Align and attach the table top to the pedestal. Insert a **Flat Washer, Lock Washer** and **Nut** onto the **Hanger Bolt**. Tighten all **Nuts** with the **Wrench** provided.



CARE INSTRUCTION

~ Be sure to use the same type of polish consistently. Your furniture will appear cloudy or streaky if oil based or wax based polishes are interchanged.
~ Spray your furniture surface evenly. Wipe in a circular motion with a soft clean cloth.

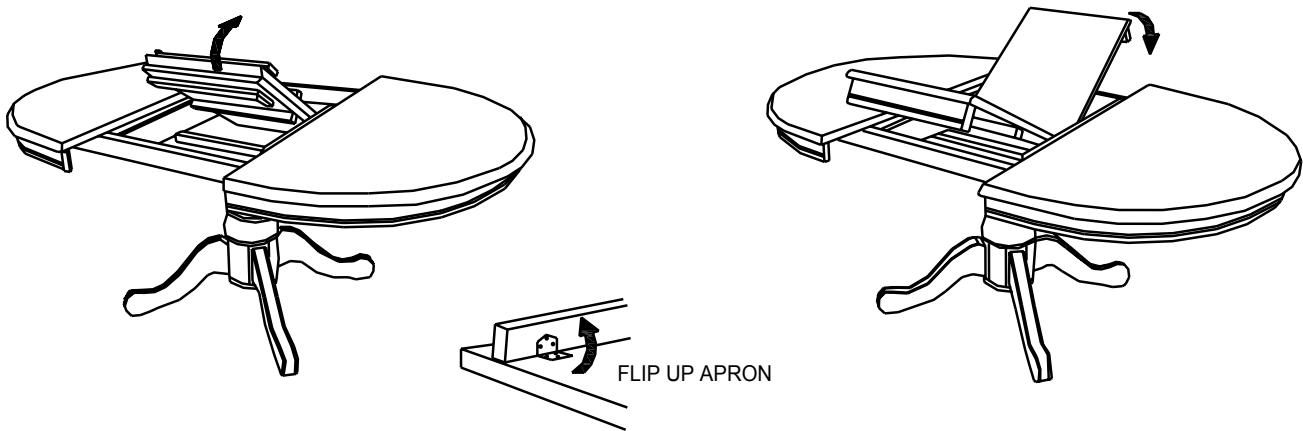
Assembly Instruction

T1-54257

Oval Solid Top Butterfly Extension Table

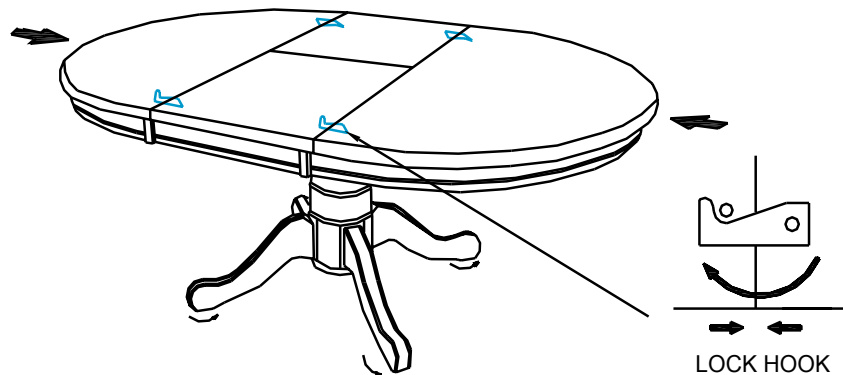
STEP 4

Lift both leaves from the compartment and flip up the apron then unfold Table Leaf and place the leaf on the top surface carefully.



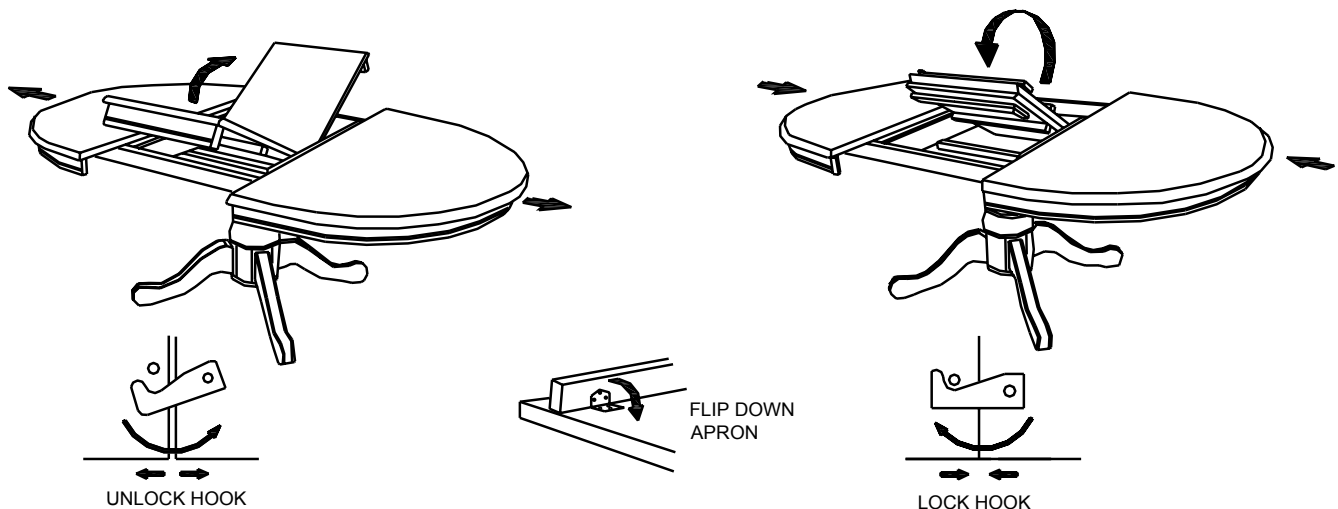
STEP 5

Push Table Top from both ends to close gap and lock the hooks underneath table. Adjust the level glides until the table sits firmly.



TO STORE THE CENTRE LEAF WHEN NOT IN USE

Unlock the hooks underneath the table and pull the table top wide open equally from both ends. Flip down the apron and fold the centre leaf to store within the compartment. Push table top from both ends to close. Lock the hooks underneath the table.

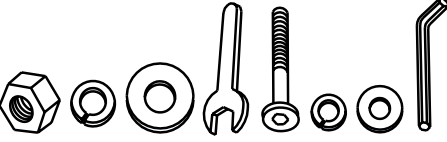
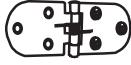




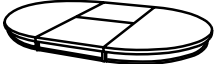






Assembly Instruction


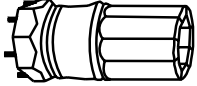
T1-54257

Oval Solid Top Butterfly Extension Table PARTS LIST

PARTS LIST FOR TOP

PART NO	FIGURE	DESCRIPTION	Q'TY
54257-01.		HARDWARE BAG	1 Pc
54257-02.		APRON HINGE	4 Pc
54257-05.		GLIDES (SLIDE)	2 Pcs
54257-09.		LEAF HINGE	2 Pc
54257-10.		LOCK	4 Pc
54257-12.		SUPPORT LEAF HINGE	2 Pc
54257-13.		TOP	1 Pc
54257-17.		SUPPORT LEAF	1 Pc
54257-18.		MOUNTING PLATE	1 Pc
54257-19.		SIDE MOUNTING PLATE	2 Pc
54257-20.		APRON LEAF	2 Pc

PARTS LIST FOR BASE

PART NO	FIGURE	DESCRIPTION	Q'TY
54257-07.		LEG	4 Pc
54257-08.		PEDESTAL	1 Pc

