

# WINNERS ONLY®

## ASSEMBLY INSTRUCTIONS

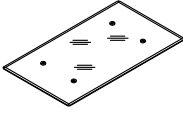

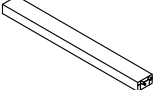

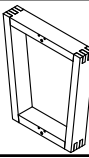

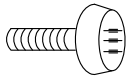

PROD.NO: T1-CP4070 - -O

Thank you for purchasing this quality product. Be sure to check all packaging materials carefully for small parts that may have come loose inside the carton during shipment.

### Reminders

1. Use only the hardware supplied.
2. Do not over-tighten bolts.
3. This item may require periodic tightening.

### Hardware List :

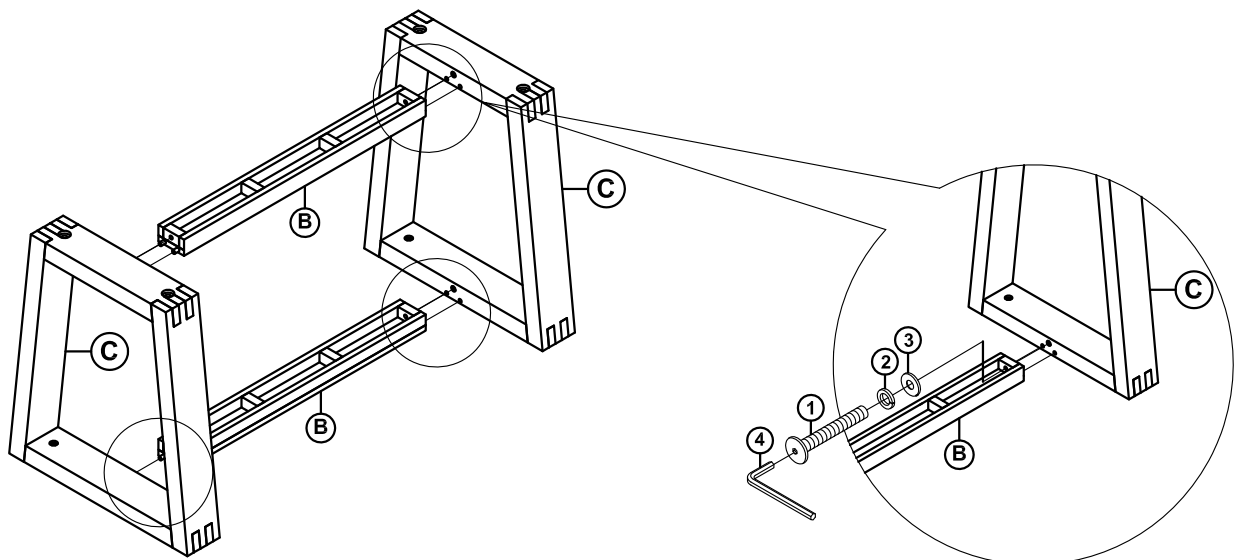
COMPONENTS LIST			QTY	NO	DESCRIPTION	SIZE	FIGURE	QTY
<b>A</b>	Glass Table Top		1pc	<b>1</b>	Long Bolt	Ø5/16"x 57mm		8pcs
<b>B</b>	Trestle		2pcs	<b>2</b>	Spring Washer	Ø5/16"x 12mm		8pcs
<b>C</b>	Table Leg		2pcs	<b>3</b>	Flat Washer	Ø5/16"x 19mm		8pcs
<b>D</b>	Adjustable Leveler		4pcs	<b>4</b>	Allen Key	58x 23x 4mm		1pc

### IMPORTANT NOTE:

- Please keep all hardware parts out of the reach of children.
- Two or more people are needed for assembly.

### STEP 1:

Attach Table Leg (C) to the Trestle (B) using Long Bolt (1), Spring Washer (2), Flat Washer (3) and Allen Key (4).

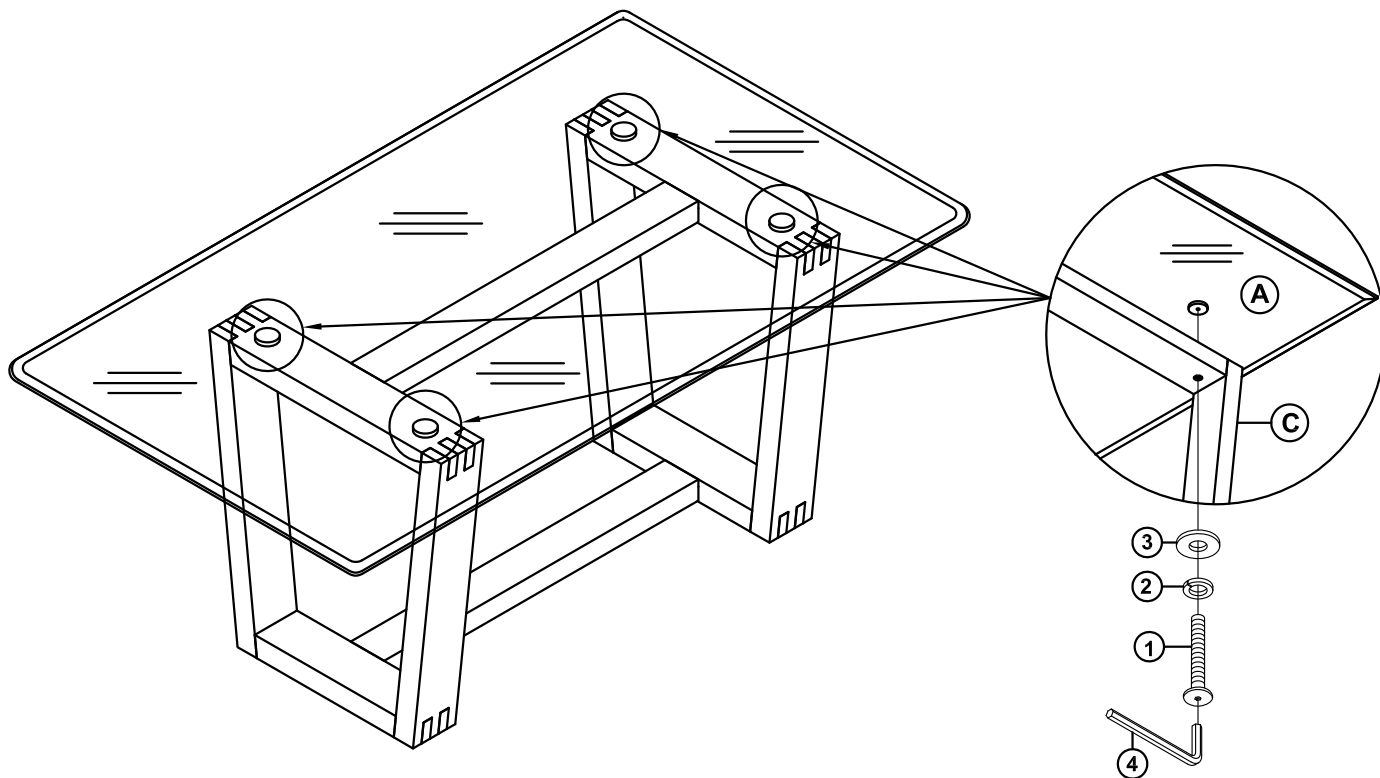


# WINNERS ONLY®

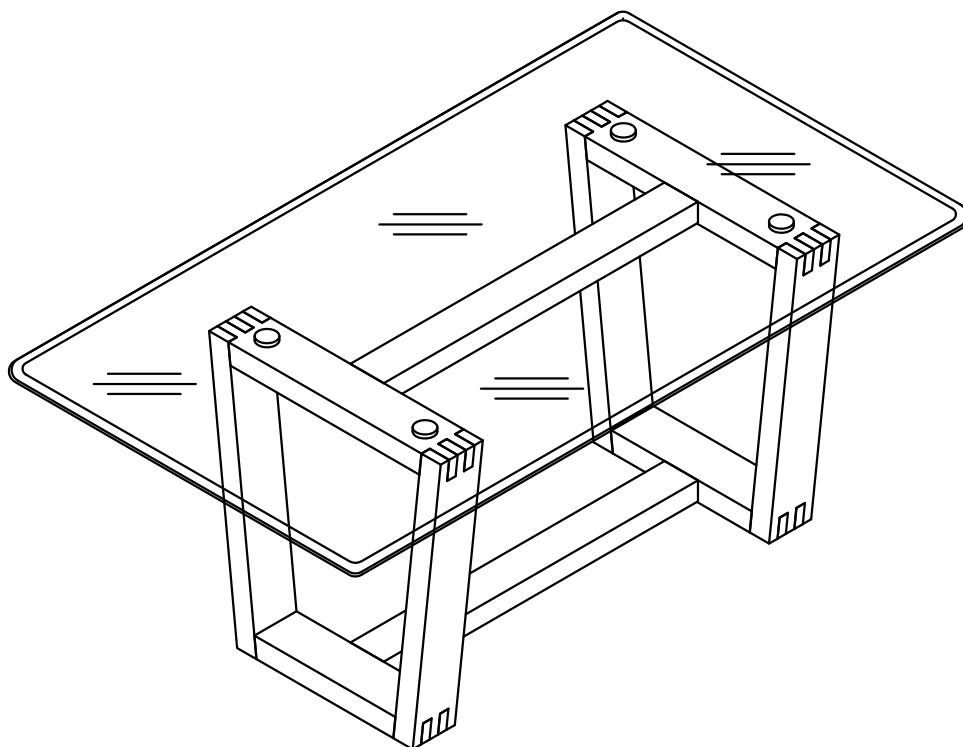
## ASSEMBLY INSTRUCTIONS

### STEP 2:

Carefully place Glass Table Top (A) on top of the fully assemble base by attaching the Table Leg (C) to the Glass Table Top (A) using Long Bolt (5), Spring Washer (2), Flat Washer (3) and tighten with Allen Key (4).



### STEP 3:



Assembly is now complete.