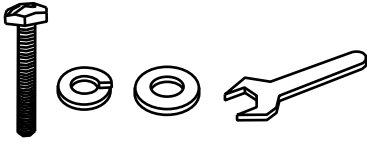
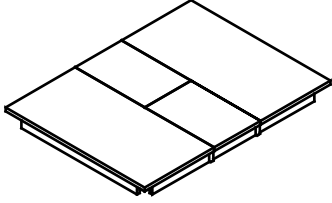
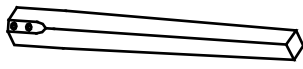


Assembly Instructions

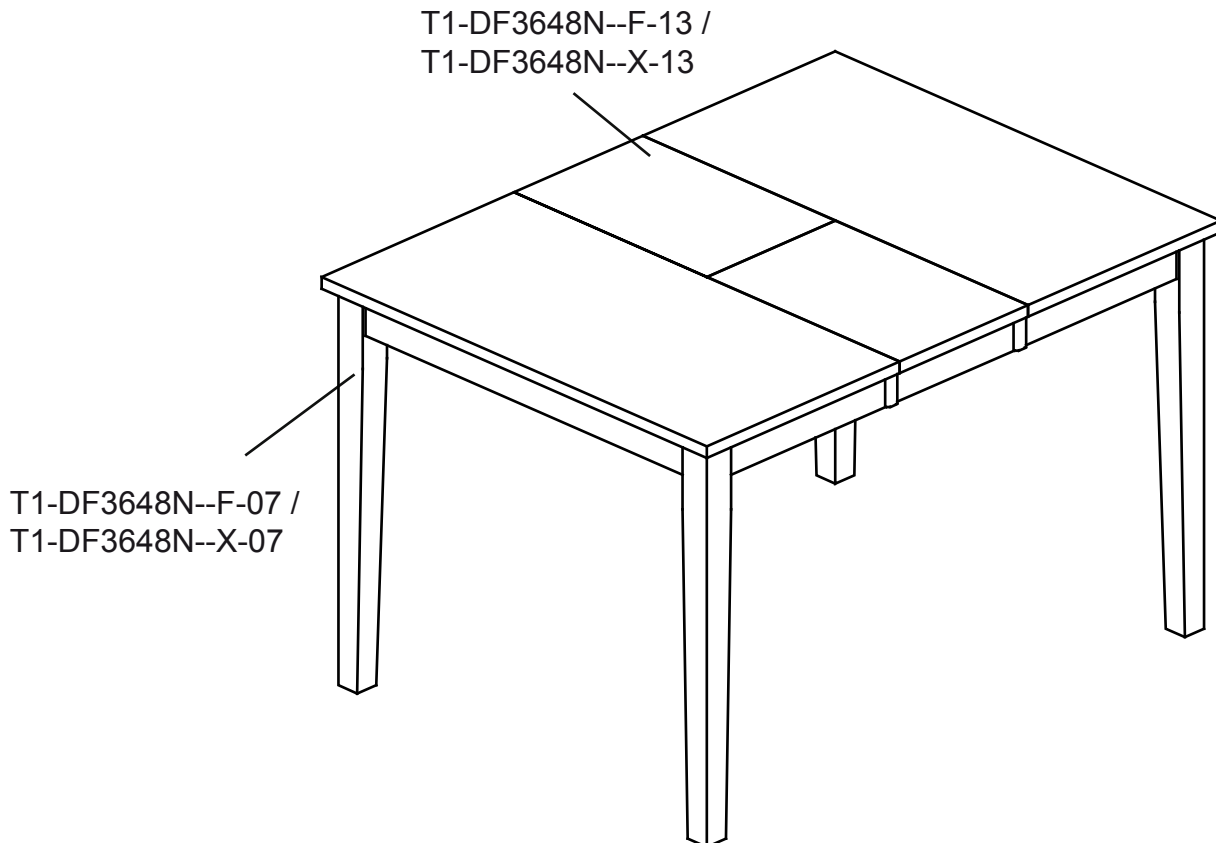
T1-DF3648N--F / T1-DF3648N--X

SOLID TOP B'FLY EXT. TABLE

PARTS LIST

PART NO	FIGURE	DESCRIPTION	QTY
T1-DF3648N--F-01 / T1-DF3648N--X-01		Hardware Bag	1 pce
T1-DF3648N--F-13 / T1-DF3648N--X-13		Table Top	1 pce
T1-DF3648N--F-07 / T1-DF3648N--X-07		Legs	4 pcs

IMPORTANT NOTE : Please keep all hardware parts out of the reach of children.



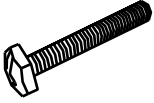


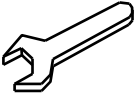
Assembly Instructions

T1-DF3648N--F / T1-DF3648N--X
SOLID TOP B'FLY EXT. TABLE

Reminders :

Two people are needed for assembly.
Use only hardware supplied.
Do not over tighten bolts.
This item may require periodic tightening.

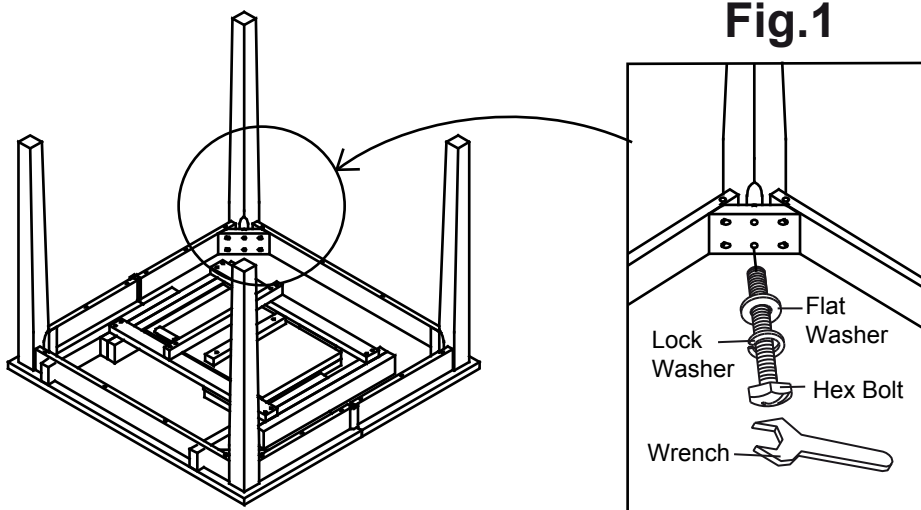
HARDWARE PART :

			
Hex Bolt 8 pcs	Lock Washer 8 pcs	Flat Washer 8 pcs	Wrench 1 pc

ASSEMBLY :

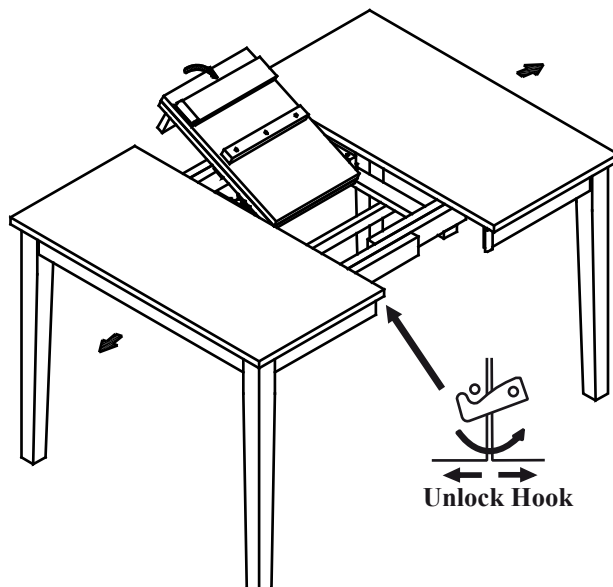
STEP 1

Turn the table top upside down on a soft protective surface such as carpet. Attach the table leg to the corner of the apron by using the provided hardware as shown on Fig1. Repeat same step to the others legs.



STEP 2

Lift both leaves from the compartment.

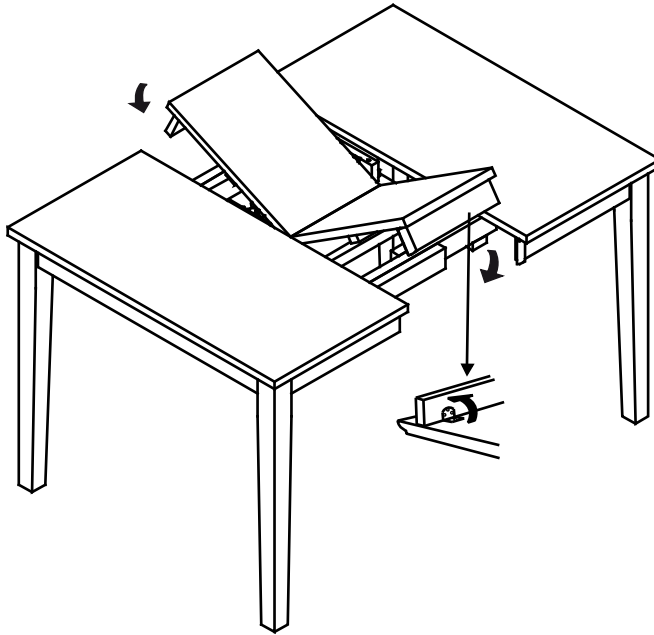


Assembly Instructions

T1-DF3648N--F / T1-DF3648N--X
SOLID TOP B'FLY EXT. TABLE

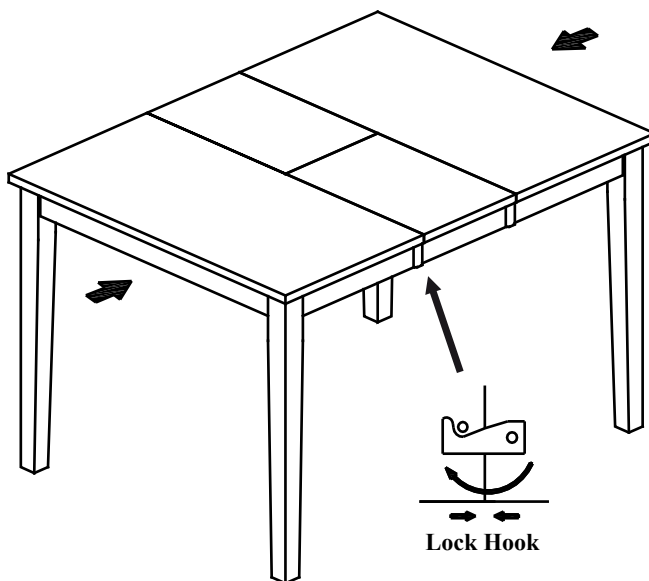
STEP 3

Flip up the aprons and unfold leaf and place the leaf on the table top surface carefully.



STEP 4

Push table top from both ends to close. Lock the hooks underneath the table.



IMPORTANT NOTE :

~ Please keep all hardware out of the reach of children.

CARE INSTRUCTION

~ Be sure to use the same type of polish consistently. Your furniture will appear cloudy or streaky if oil based or wax based polishes are interchanged.
~ Spray your furniture surface evenly. Wipe in a circular motion with a soft clean cloth.