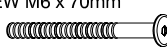





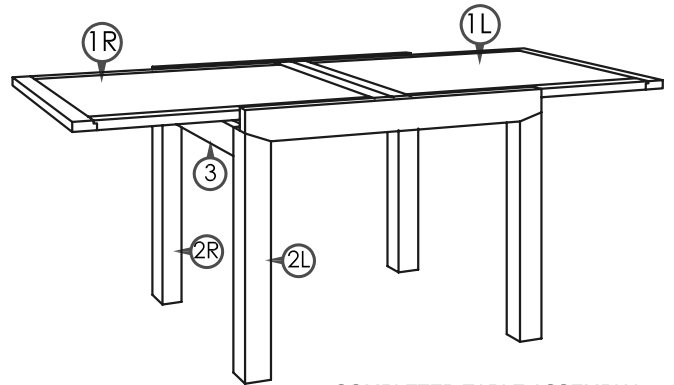
# ASSEMBLY INSTRUCTIONS

## MODEL : TMH 189T DINING TABLE

**IMPORTANT NOTE :**

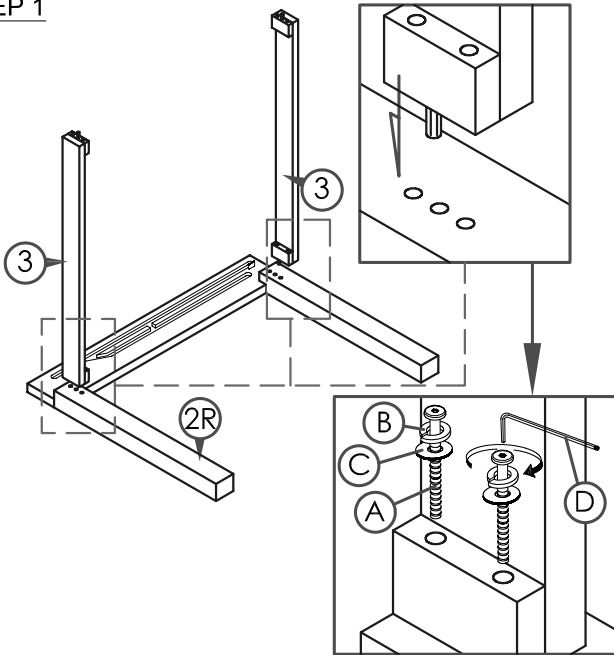
- \* PLACE ALL WOODEN PARTS ON A CLEAN AND SMOOTH SURFACE SUCH AS A RUG OR CARPET TO AVOID THE PARTS FROM BEING SCRATCHED.
- \* BEFORE YOU BEGIN, KINDLY FOLLOW THE ASSEMBLY INSTRUCTIONS STEP BY STEP.

HARDWARE LIST			PART LIST		
A	JCBC SCREW M6 x 70mm 	8PCS	1	TABLE TOP L & R	2PCS
B	SPRING WASHER M6 	8PCS	2	TABLE LEG L & R	2PCS
C	FLAT WASHER 5/16" 	8PCS			
D	ALLENKEY M4 (BALL SHAPE) 	1PC	3	APRON RAIL	2PCS

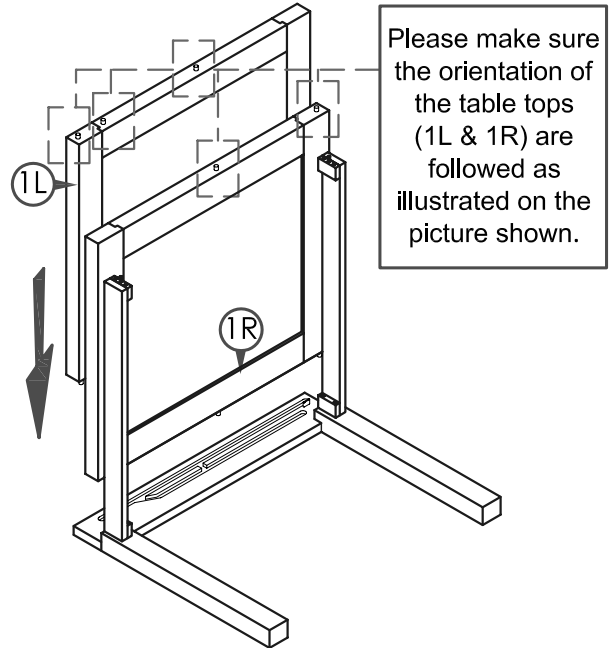


COMPLETED TABLE ASSEMBLY.

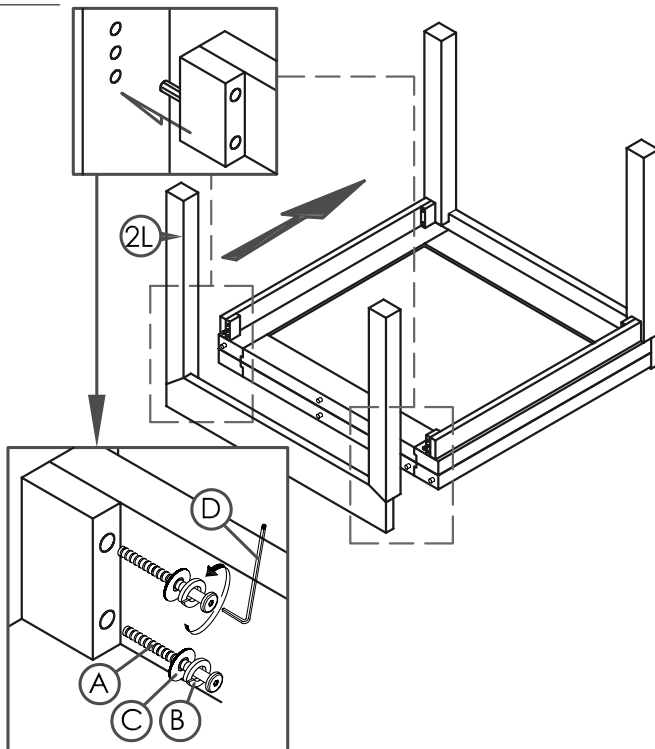
### STEP 1



**STEP 2** Note that the table tops 1L & 1R are labeled accordingly on the bottom of the table tops.



### STEP 3



### STEP 4

