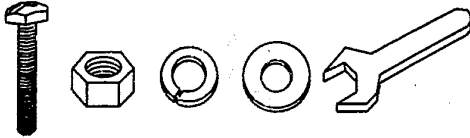
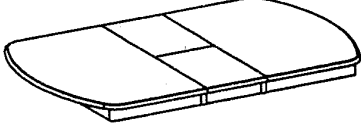

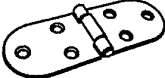
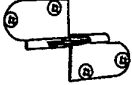


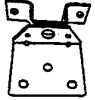
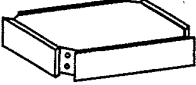
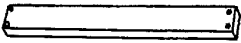
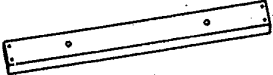
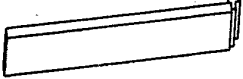
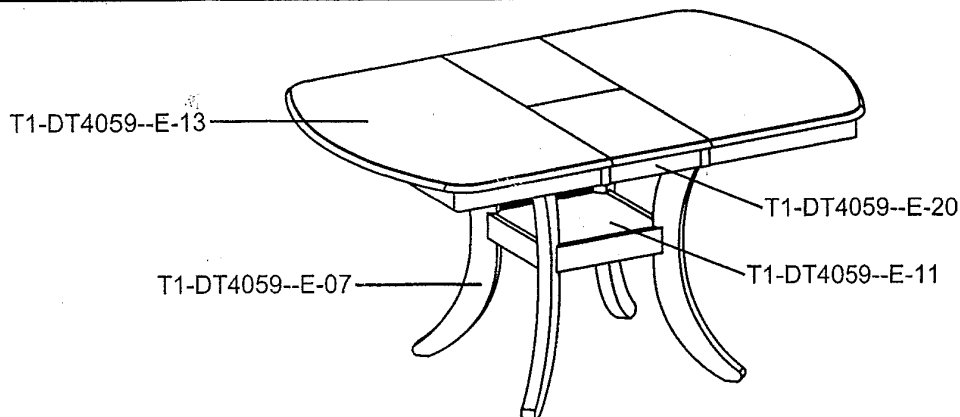


Assembly Instructions

T1-DT4059--E
ACACIA VENEER BUTTERFLY TOP LEG TABLE

PARTS LIST

PART NO	FIGURE	DESCRIPTION	Q'TY
T1-DT4059--E-01		Hardware Bag	1 Pc
T1-DT4059--E-13		Table Top	1 Pc
T1-DT4059--E-07		Leg	4 Pcs
T1-DT4059--E-02		Apron Hinge	4 Pcs
T1-DT4059--E-09		Leaf Hinge	2 Pcs
T1-DT4059--E-05		Glides	2 Pcs
T1-DT4059--E-10		Table Hook	4 Pcs
T1-DT4059--E-12		Support Leaf Hinge	2 Pcs
T1-DT4059--E-11		Shelf Panel	1 Pc
T1-DT4059--E-17		Support Leaf	1 Pc
T1-DT4059--E-18		Mounting Plate	2 Pcs
T1-DT4059--E-20		Apron Leaf	2 Pcs








Assembly Instructions

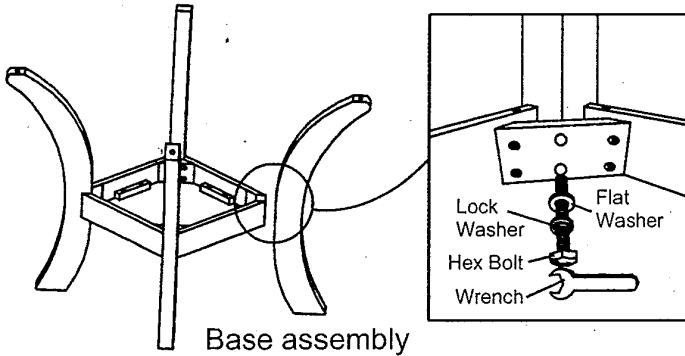
T1-DT4059--E

ACACIA VENEER BUTTERFLY TOP LEG TABLE

HARDWARE PART :

				
Hex Bolt 8 pcs	Hex Nut 4 pcs	Lock Washer 12 pcs	Flat Washer 12 pcs	Wrench 1 pce

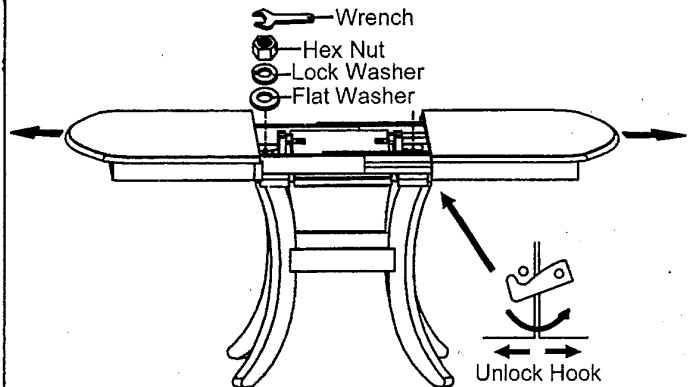
NOTE : THE UNIT SHOULD BE ASSEMBLED BY 2 OR MORE PEOPLE.



STEP 1

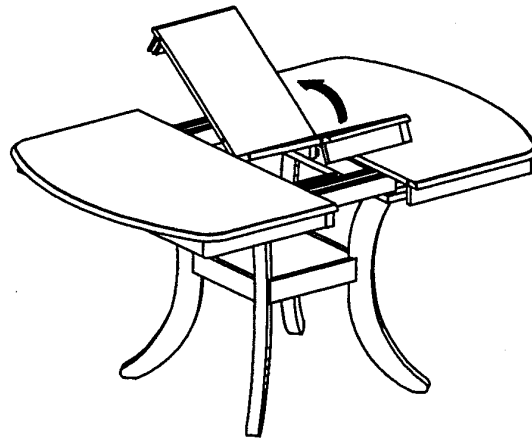
Place leg to the shelf panel and use **Hex Bolt, Lock Washer, Flat Washer** and **Wrench** to tighten each leg. **(Do not fully tighten yet.)**

STEP 2
Turn the base Assembly upright. Unlock the hooks underneath the table and pull the table top wide open equally from both ends. Align and attach the table top to the leg shown. Insert a **Flat Washers, Lock Washers** and **Hex Nuts** onto the hanger bolts. Fully tighten all **Hex Nuts** and **Hex Bolt** with the **Wrench** provided.

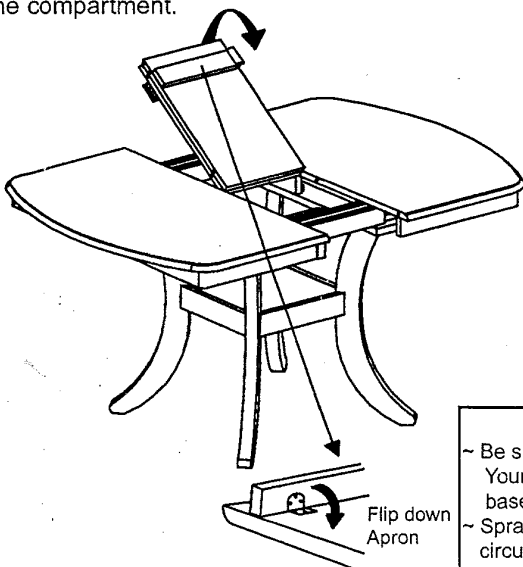


STEP 3

Lift up the centre leaf from the compartment.

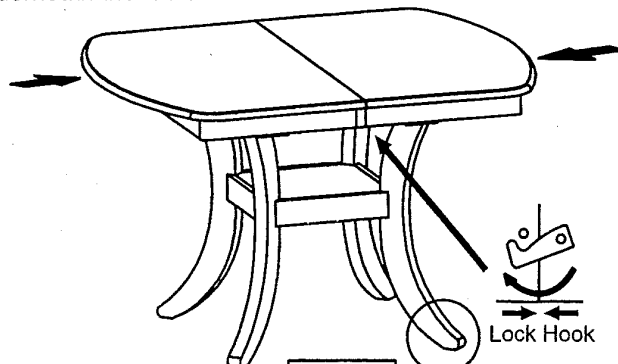


STEP 4
Flip down the aprons and fold the centre leaf to store within the compartment.



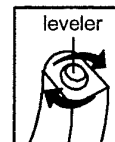
STEP 5

Push table top from both ends to close. Lock the hooks underneath the table.



CARE INSTRUCTION

- ~ Be sure to use the same type of polish consistently. Your furniture will appear cloudy or streaky if oil based or wax based polishes are interchanged.
- ~ Spray your furniture surface evenly. Wipe in a circular motion with a soft clean cloth.



Adjust the levelers to level the unit.