
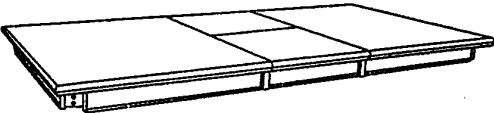

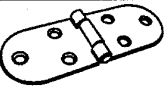
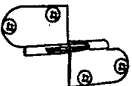


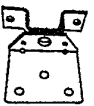
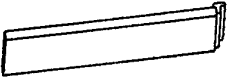
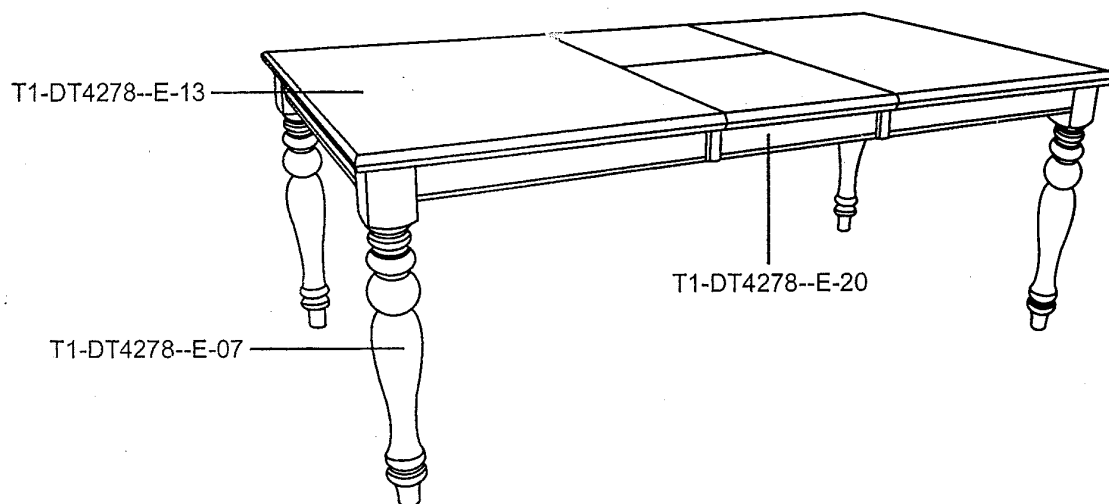


# Assembly Instructions

T1-DT4278--E  
RECTANGULAR ACACIA VENEER BUTTERFLY TOP LEG TABLE

## PARTS LIST

PART NO	FIGURE	DESCRIPTION	Q'TY
T1-DT4278--E-01		Hardware Bag	1 Pc
T1-DT4278--E-13		Table Top	1 Pc
T1-DT4278--E-07		Leg	4 Pcs
T1-DT4278--E-02		Apron Hinge	4 Pcs
T1-DT4278--E-09		Leaf Hinge	3 Pcs
T1-DT4278--E-05		Glides	2 Pcs
T1-DT4278--E-10		Table Hook	4 Pcs
T1-DT4278--E-12		Support Leaf Hinge	2 Pcs
T1-DT4278--E-20		Apron Leaf	2 Pcs

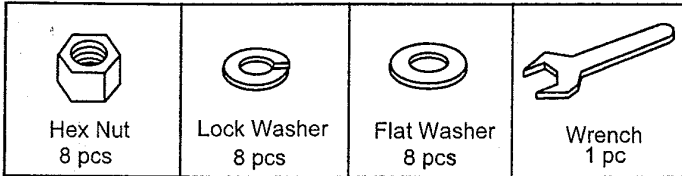


# Assembly Instruction

T1-DT4278--E

RECTANGULAR ACACIA VENEER BUTTERFLY TOP LEG TABLE

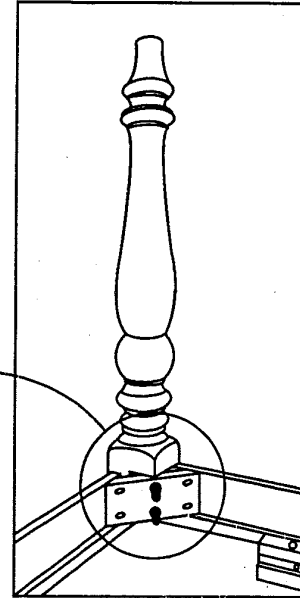
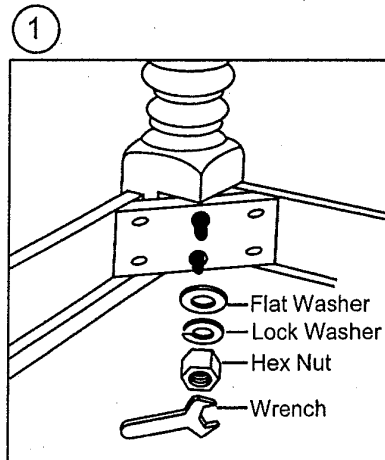
## HARDWARE PART :



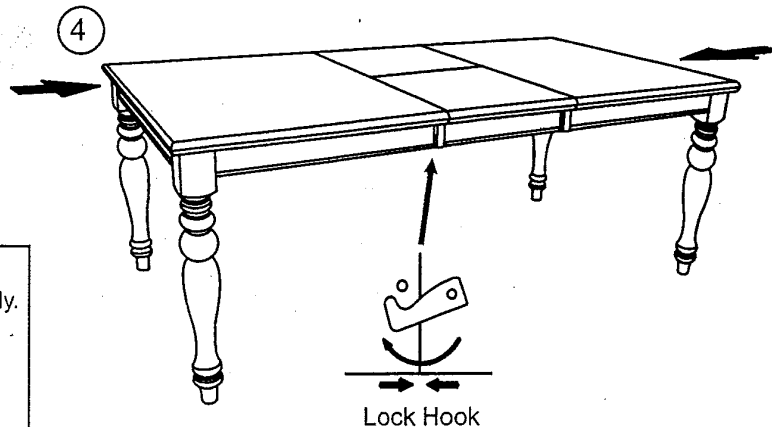
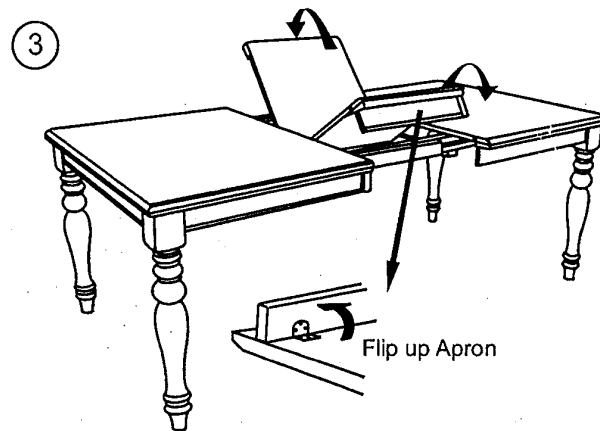
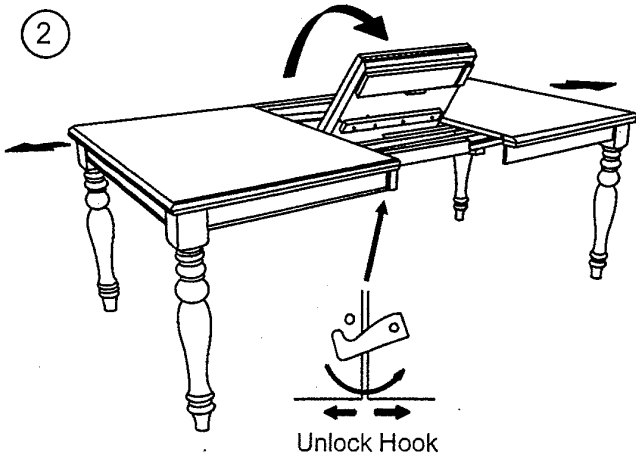
**NOTE :** THE UNIT SHOULD BE ASSEMBLED BY 2 OR MORE PEOPLE.

## ASSEMBLY

- 1) Turn the Table Top upside down on a protective surface such as carpet or other soft material. Place the leg to corner of Apron, then tighten the **Flat Washer**, **Lock Washer** and **Hex Nut** using the **Wrench** provided. Repeat the same for the other legs. Set the Table upright on its legs.



- 2) Unlock the hook underneath the table and pull the table top wide open equally from both end. Lift both leaves from the compartment.
- 3) Flip up the aprons and unfold leaf and place the leaf on the Table Top surface carefully.
- 4) Push table top from both ends to close. Lock the hook underneath the table.



## CARE INSTRUCTION

- ~ Be sure to use the same type of polish consistently. Your furniture will appear cloudy or streaky if oil based or wax based polishes are interchanged.
- ~ Spray your furniture surface evenly. Wipe in a circular motion with a soft clean cloth.