

# WINNERS

## ONLY INC.

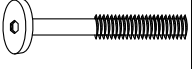

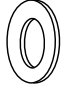





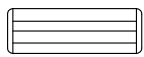
### ASSEMBLY INSTRUCTIONS

**Reminders**

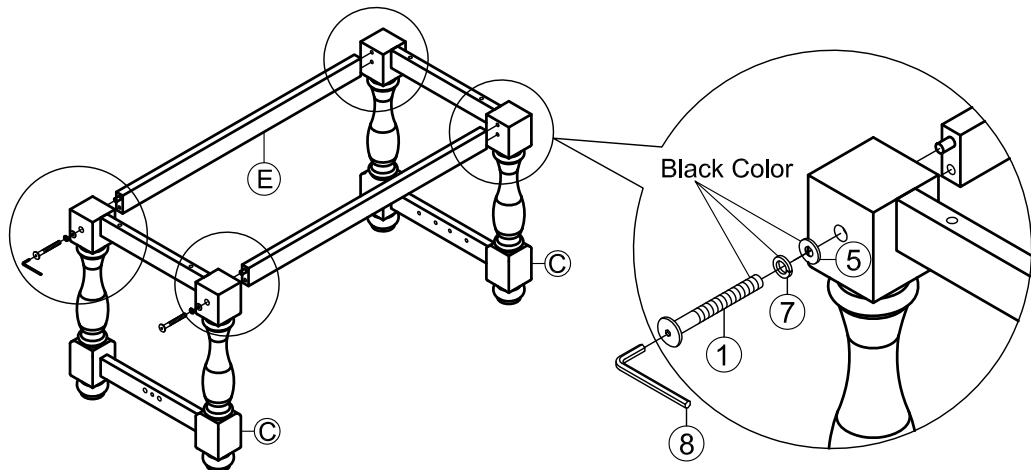
1. Use only the hardware supplied.
2. Do not over-tighten bolts.
3. This item may require periodic tightening.

**ITEM NO: T1-GE4092-T-O& T1-GE4092-B-O**

**Hardware List :**

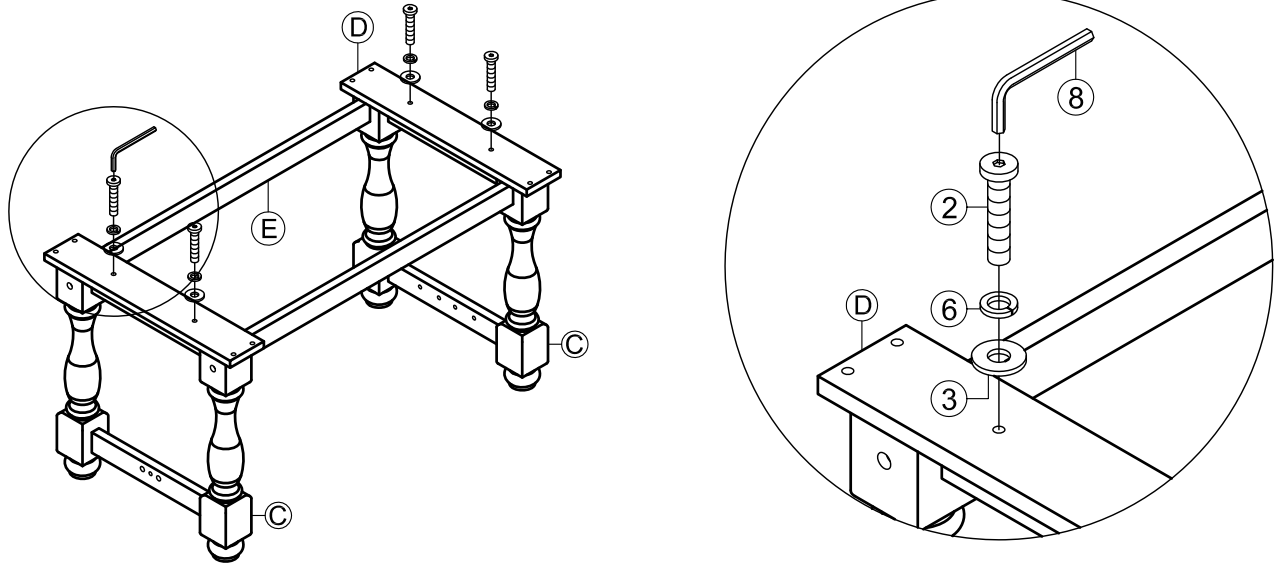
COMPONENTS LIST		QTY	NO	DESCRIPTION	SIZE	FIGURE	QTY
A	Table Top	1pc	1	Long Bolt Black Color	5/16"x 110mm		4pcs
B	Table Leaf	2pcs	2	Short Bolt	5/16"x 57mm		16pcs
C	Table Legs	2pcs	3	Flat Washer	5/16"x 19mm		12pcs
D	Mounting Plate	2pcs	4	Small Washer	5/16"x 14mm		4pcs
E	Trestle Bar	2pcs	5	Small Washer Black Color	5/16"x 14mm		4pcs
F	Bottom Rail	1pc	6	Spring Washer	5/16"x 12mm		16pcs
G	Cap	2pcs	7	Spring Washer Black Color	5/16"x 12mm		4pcs
H	Right Side Glides	2pcs	8	Allen Key	58x 23x 4mm		1pc
I	Left Side Glides	2pcs	9	Dowel wood	Ø10x 30 mm		4pcs
J	Clamp Lock	8pcs					

Step (1): Attach trestle bar (E) to the table legs (C), insert small washers black color (5), spring washers black color (7), long bolts black color (1) and tighten by using allen wrench (8) as picture shown. Do not fully tighten yet.

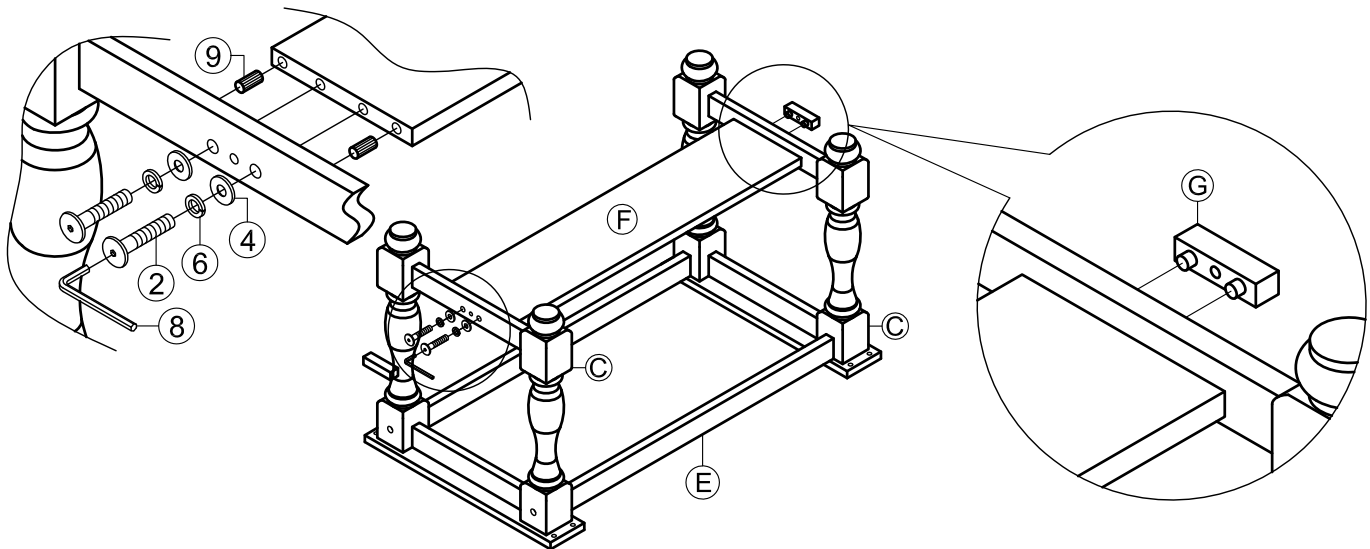


# WINNERS ONLY INC. ASSEMBLY INSTRUCTIONS

Step (2): Attach mounting plate (D) to the table leg (C), insert flat washers (3), spring washers (6), short bolts (2), tighten by using allen wrench (8). Do not fully tighten yet.

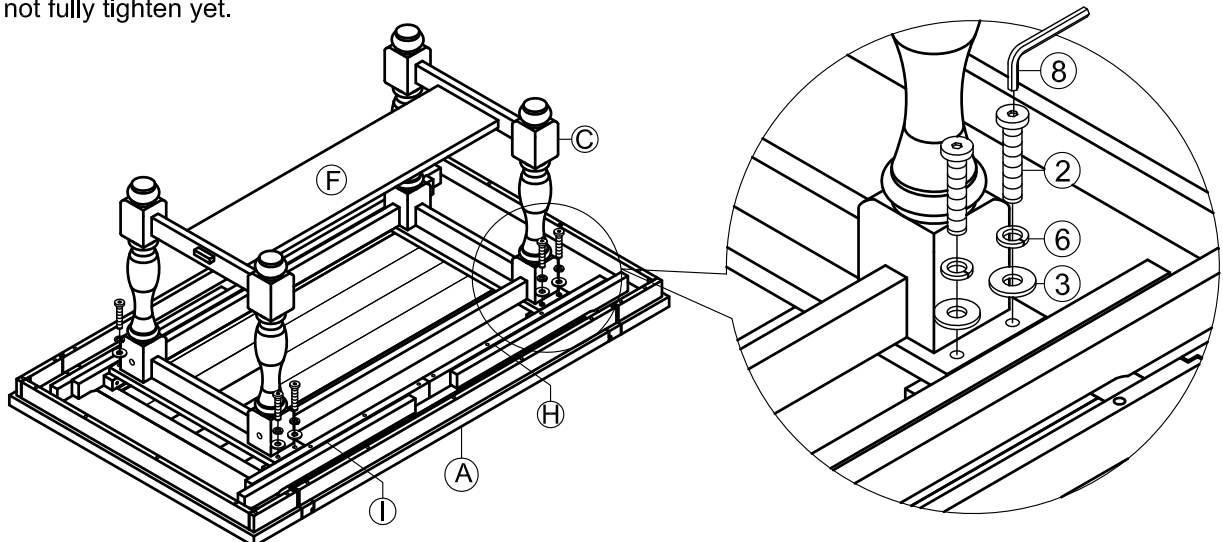


Step (3): Attach bottom rail (F) to the table leg (C), insert dowel wood (9), small washers (4), spring washers (6), short bolts (2), tighten by using allen wrench (8), do not fully tighten yet and put cap (G) into the hole of the table leg (C) as shown.



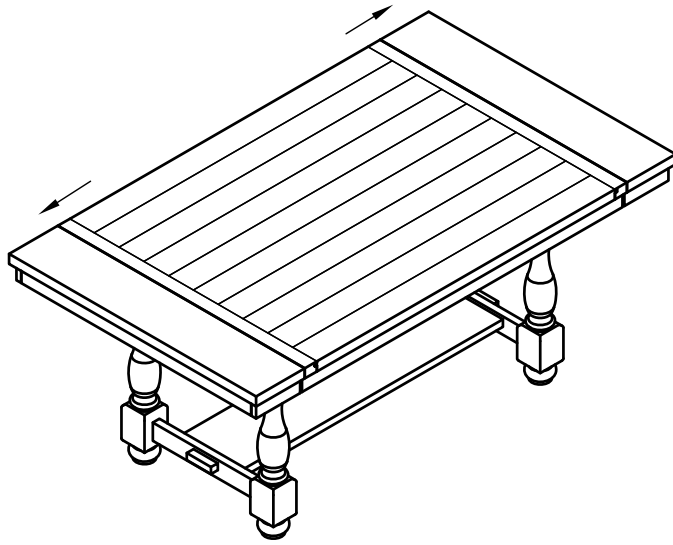
Step (4): Turn the Table Base assembly upside down.

Attach Table Base assembly to table top (A), by inserting flat washer (3), spring washer (6), short bolt (2) and tighten by allen key (8). Do not fully tighten yet.



# WINNERS ONLY INC. ASSEMBLY INSTRUCTIONS

Step (5): Turn the table to the upright position. Unlock the latch underneath of the Table Top (A).



Step (6): Pull the table top from both ends. Place the Table Leaf (B) in position. Lock the latch underneath of the Table Top (A) to prevent from sliding. Assembly product is now completed.

