

IMPORTANT NOTICE:
Storing and opening the leaf
requires 2 people.

WINNERS

ONLY INC.

ASSEMBLY INSTRUCTIONS

ITEM NO : T1-GE58R - -0




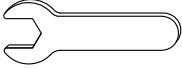

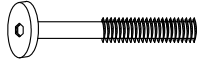

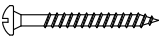
Thank you for purchasing this quality product. Be sure to check all packaging materials carefully for small parts that may have come loose inside the carton during shipment.

Reminders

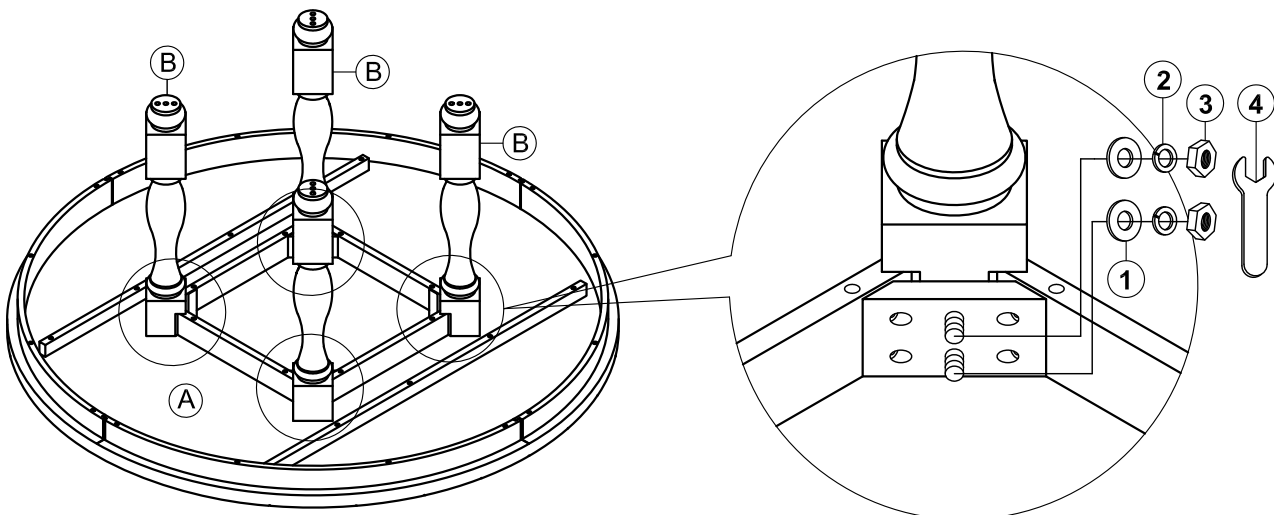
1. Use only the hardware supplied.
2. Do not over-tighten bolts.
3. This item may require periodic tightening.

Hardware List :

COMPONENTS LIST		QTY
A	Table Top	1pc
B	Table Legs	4pcs
C	Base	1Set
D	Adjustable Leveler	4pcs

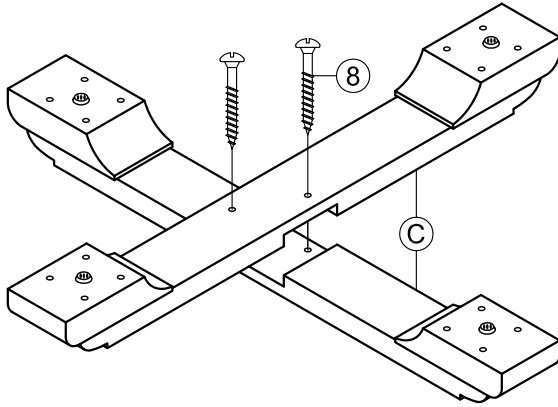
NO	DESCRIPTION	SIZE	FIGURE	QTY
1	Flat Washer	5/16"x 19mm		8pcs
2	Spring Washer	5/16"x 12mm		12pcs
3	Hex- nut	5/16"x 12mm		8pcs
4	Wrench	12x 75mm		1pc
5	Small Washer	5/16"x 14mm		4pcs
6	Long Bolt	5/16"x 85mm		4pcs
7	Allen Key	58x 23x 4mm		1pc
8	Screw	Ø8x 4x 32mm		2pcs

Step (1): Place the Table Top (A) upside down on a floor with a piece of cloth or carpet underneath to prevent the finish from scratching. Attach the Leg (B) to the corner of Table Top (A) by using Flat Washer (1), Spring Washer (2) and Hex Nut (3). Fully tighten with Wrench (4). Do not fully tighten yet.

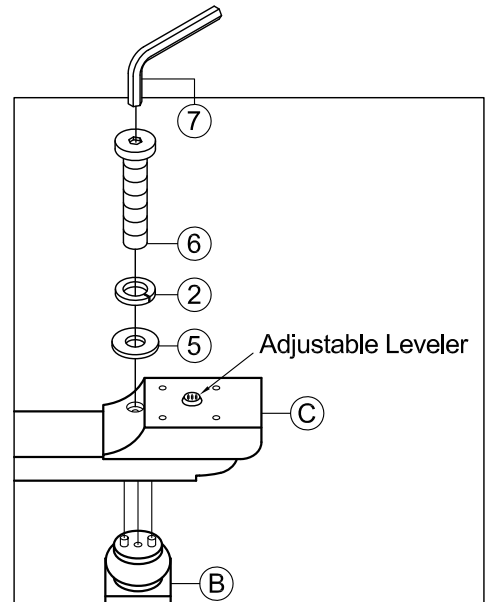
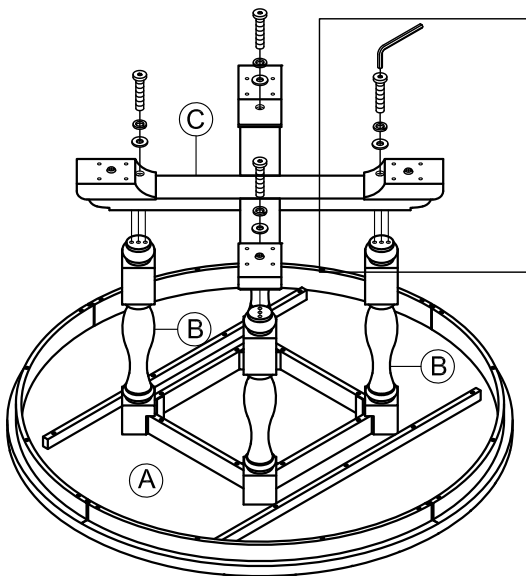


WINNERS ONLY INC. ASSEMBLY INSTRUCTIONS

Step (2): Attach Base (C) and Screw (8). Do fully tighten yet.



Step (3): Attach Base (C) to the table Leg (B) insert Small washers (5), Spring washers (2), Long bolts (6), tighten by using Allen key (7), do not fully tighten yet.



Step (4): Turn the Table Base assembly upside down.

