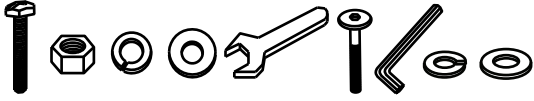


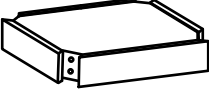

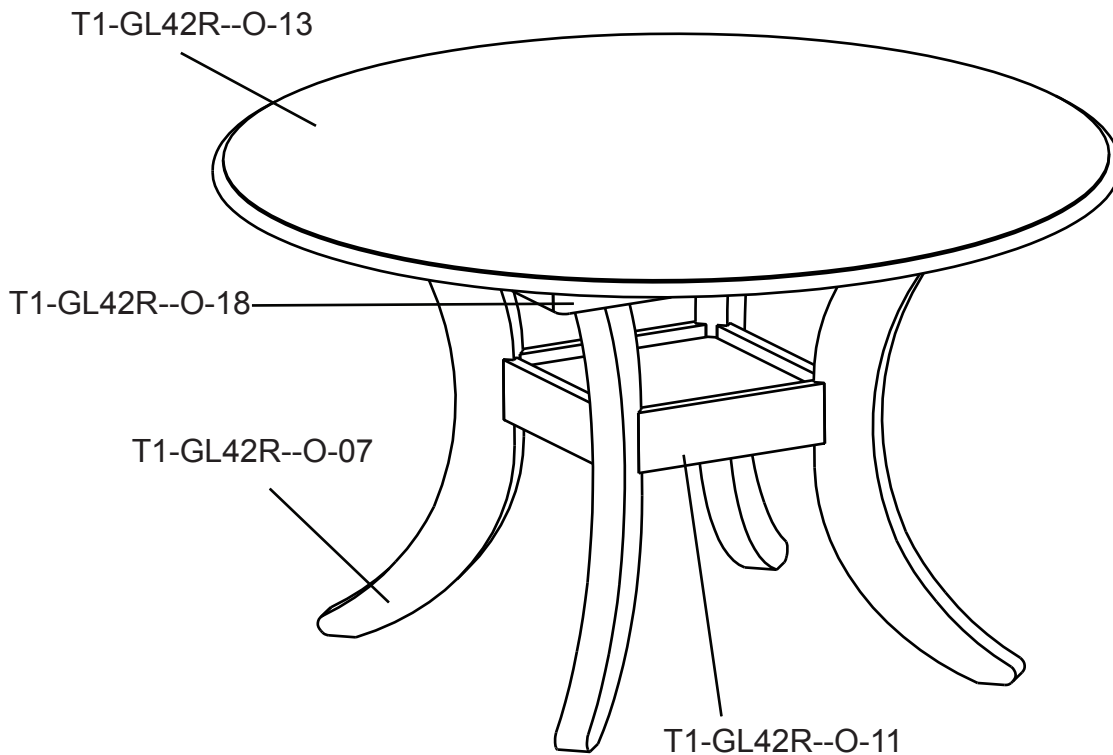


Assembly Instructions

T1-GL42R--O
SOLID FIXTOP DINING TABLE

PARTS LIST





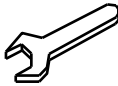




PART NO	FIGURE	DESCRIPTION	Q'TY
T1-GL42R--O-01		Hardware Bag	1 Pc
T1-GL42R--O-13		Table Top	1 Pc
T1-GL42R--O-07		Leg	4 Pcs
T1-GL42R--O-11		Shelf Panel	1 Pc
T1-GL42R--O-18		Mounting Plate	2 Pcs



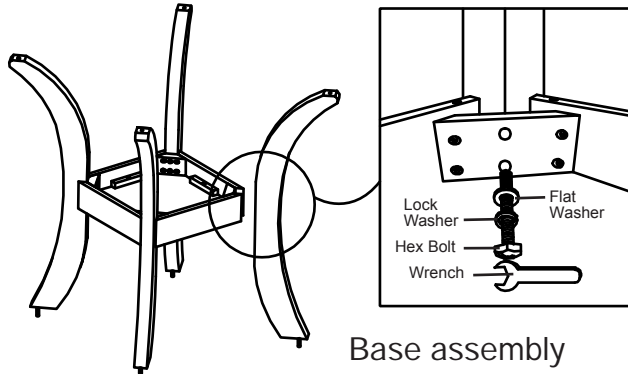
Assembly Instructions

T1-GL42R--O
SOLID FIXTOP DINING TABLE

HARDWARE PART :

								
Hex Bolt 8 pcs	Hex Nut 4 pcs	Lock Washer 12 pcs	Flat Washer 12 pcs	Wrench 1 pce	JCBC Bolt 8 pcs	Lock Washer 8 pcs	Flat Washer 8 pcs	Allen Key 1 pce

NOTE : THE UNIT SHOULD BE ASSEMBLED BY 2 OR MORE PEOPLE.

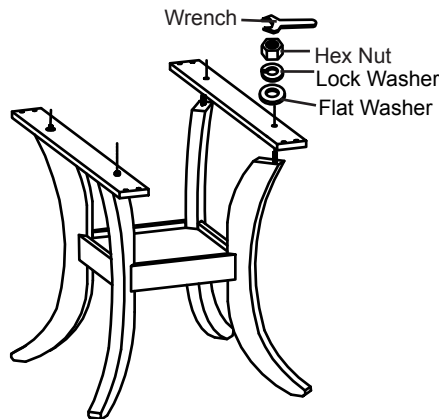


STEP 1

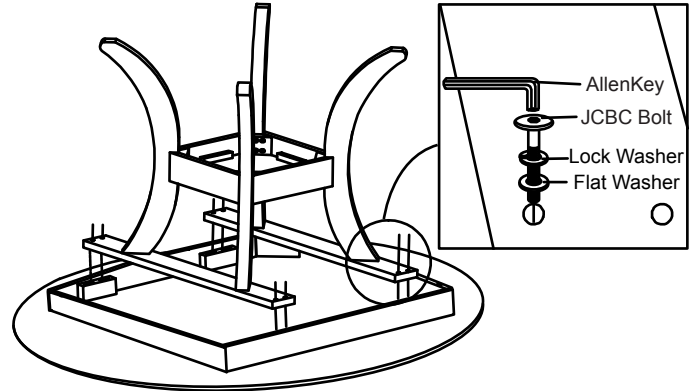
Place leg to the Shelf Panel and use **Hex Bolt, Lock Washer, Flat Washer** and **Wrench** to tighten each Leg. (Do not fully tighten yet.)

STEP 2

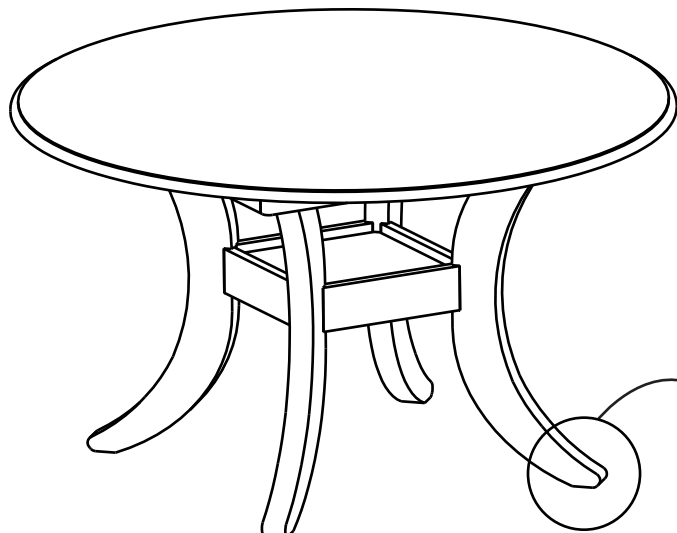
Turn the base Assembly upright. Attach Mounting Plate onto hanger bolts, insert **Flat Washers, Lock Washers** and **Hex Nuts** onto the hanger bolts. Fully tighten all **Hex Nuts** and **Hex Bolt** with the **Wrench** provided.



Place the Table Top upside down on a protective surface such as carpet. Align and Attach Base Assembly to the Table Top. Insert **Flat Washer, Lock washer** and **JCBB Bolt** through the pre-drilled hole of the the Mounting Plate into the pre-drilled hole of the base assembly. Then tighten the bolts by using **Allen Key** provided.



STEP 4



Adjust the levelers to level the unit.

IMPORTANT NOTE :

1. Use only the hardware supplied.
2. Do not over-tighten bolts.
3. This item may require periodic tightening.

IMPORTANT NOTE :

~ Please keep all hardware out of the reach of children. Two or more people are needed for assembly.

CARE INSTRUCTION

- ~ Be sure to use the same type of polish consistently. Your furniture will appear cloudy or streaky if oil based or wax based polishes are interchanged.
- ~ Spray your furniture surface evenly. Wipe in a circular motion with a soft clean cloth.