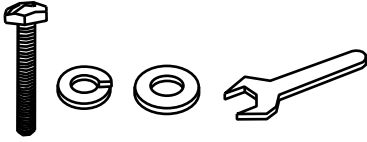
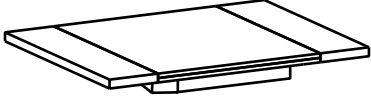
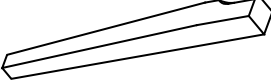


Assembly Instructions

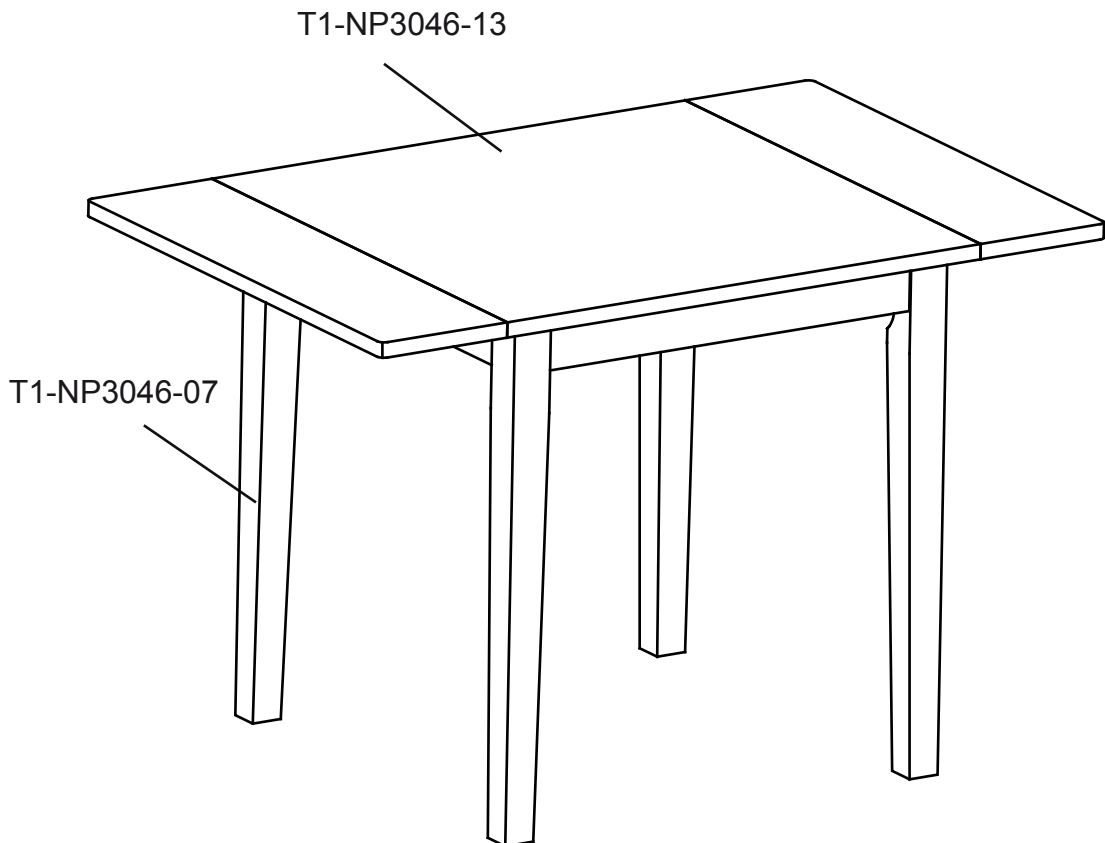
T1-NP3046- -O

BOTH END DROP LEAF SOLID TOP TABLE

PARTS LIST

PART NO	FIGURE	DESCRIPTION	QTY
T1-NP3046-01		Hardware Bag	1 pce
T1-NP3046-13		Table Top	1 pce
T1-NP3046-07		Legs	4 pcs

IMPORTANT NOTE : Please keep all hardware parts out of the reach of children.



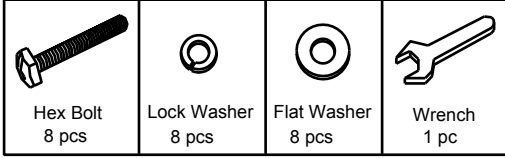
Assembly Instructions

T1-NP3046- -O

BOTH END DROP LEAF SOLID TOP TABLE

Reminders :

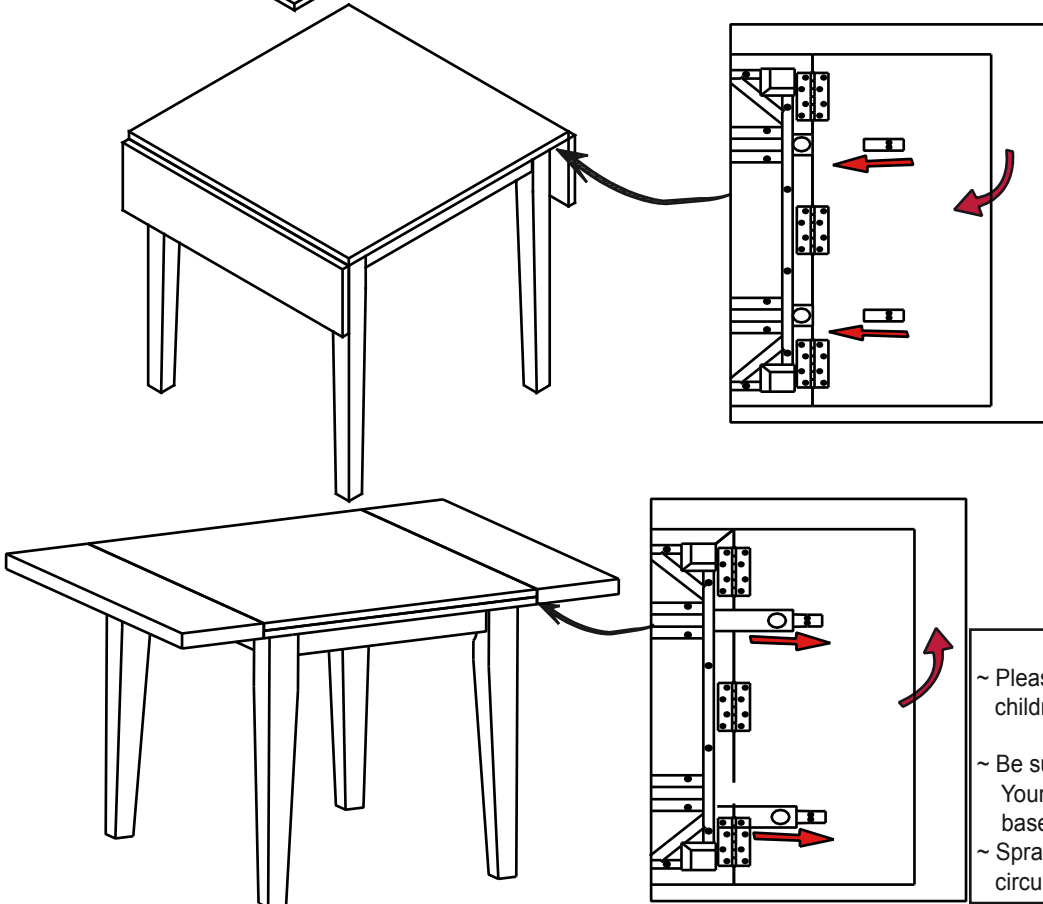
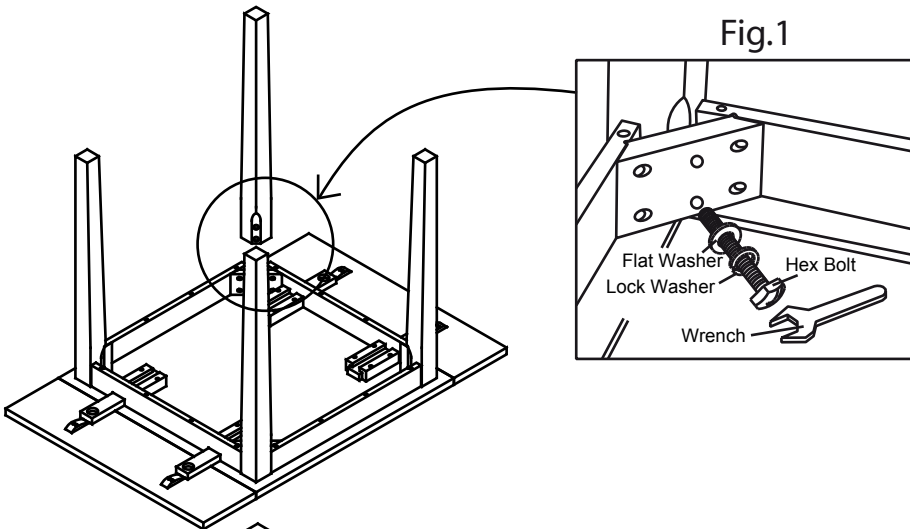
Two people are needed for assembly.
Use only hardware supplied.
Do not over tighten bolts.
This item may require periodic tightening.



ASSEMBLY :

STEP 1

Turn the Table Top upside down on a protective surface such as carpet or other soft material
Insert the four legs into the corner of the apron and attached using the provided hardware as shown on Fig.1



IMPORTANT NOTE :

~ Please keep all hardware out of the reach of children.

CARE INSTRUCTION

~ Be sure to use the same type of polish consistently.
Your furniture will appear cloudy or streaky if oil based or wax based polishes are interchanged.
~ Spray your furniture surface evenly. Wipe in a circular motion with a soft clean cloth.