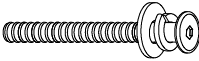
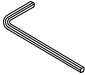


ASSEMBLY INSTRUCTIONS

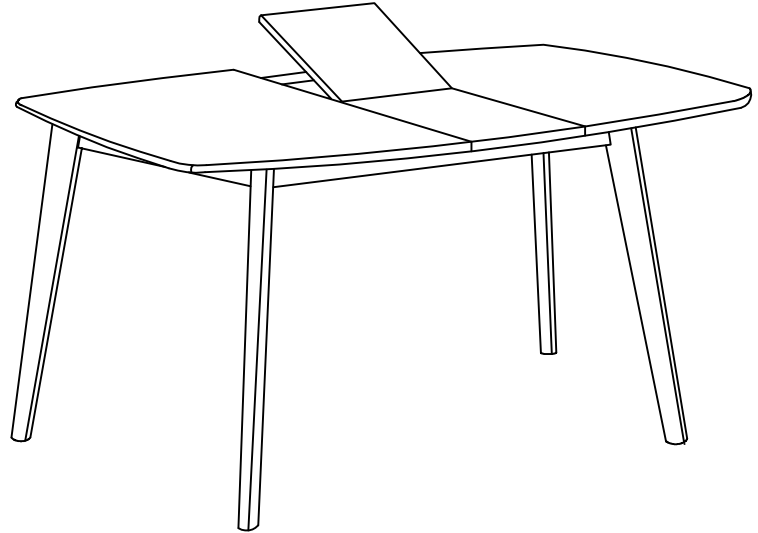
MODEL : T1-RC3059- -O / T1-RC3059- -W

IMPORTANT NOTE :

- * PLACE ALL WOODEN PARTS ON A CLEAN AND SMOOTH SURFACE SUCH AS A RUG OR CARPET TO AVOID THE PARTS FROM BEING SCRATCHED.
- * BEFORE YOU BEGIN, KINDLY FOLLOW THE ASSEMBLY INSTRUCTIONS STEP BY STEP.

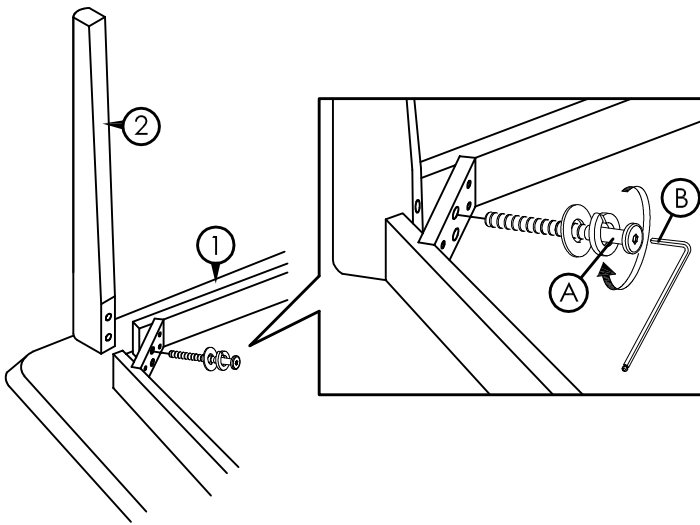
| HARDWARE LIST | | |
|---------------|---|------|
| A | JCBB M8 x 80mm + S/W 5/16" + F/W 5/16" x 22mm  | 8PCS |
| B | ALLEN KEY M5  | 1PC |

| PART LIST | | |
|-----------|-----------|------|
| 1 | TABLE TOP | 1PC |
| 2 | TABLE LEG | 4PCS |

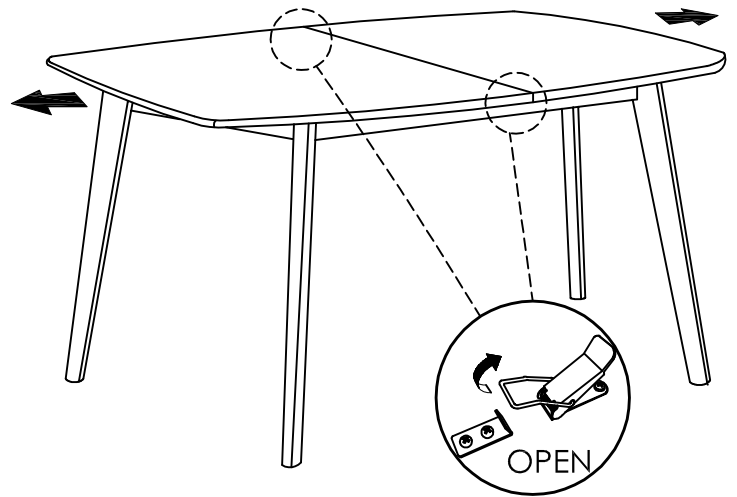


COMPLETED TABLE ASSEMBLY.

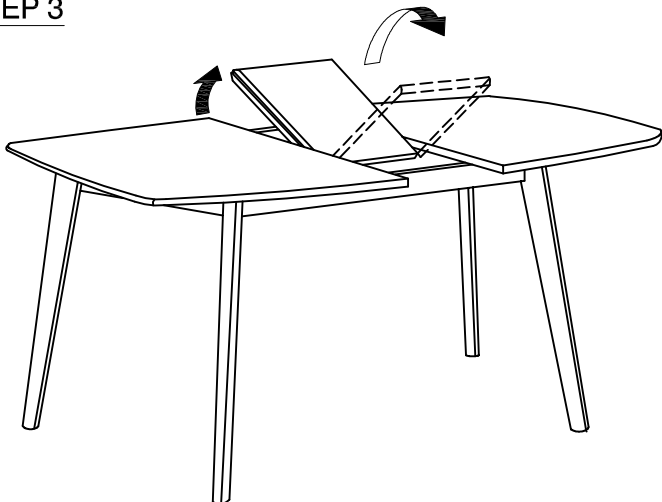
STEP 1



STEP 2



STEP 3



STEP 4

