

# ASSEMBLY INSTRUCTIONS

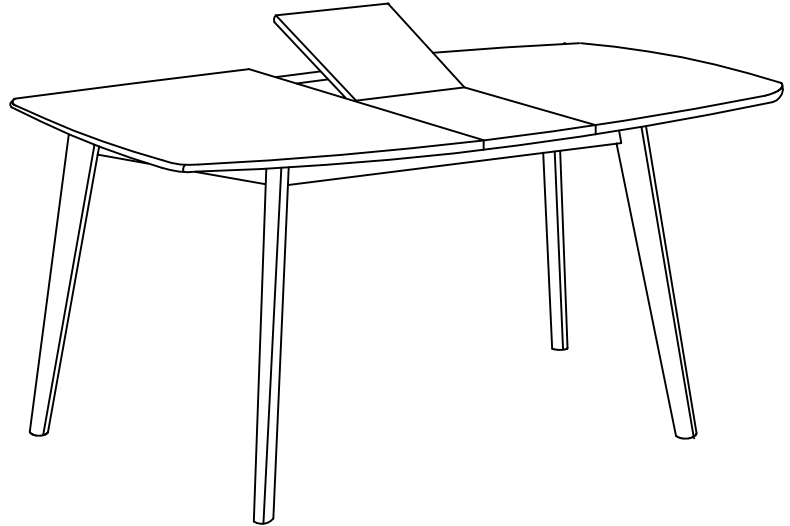
## MODEL : T1-RC3575- -O / T1-RC3575- -W

### IMPORTANT NOTE :

- \* PLACE ALL WOODEN PARTS ON A CLEAN AND SMOOTH SURFACE SUCH AS A RUG OR CARPET TO AVOID THE PARTS FROM BEING SCRATCHED.
- \* BEFORE YOU BEGIN, KINDLY FOLLOW THE ASSEMBLY INSTRUCTIONS STEP BY STEP.

### HARDWARE LIST

A	JCBB M8 x 80mm + S/W 5/16" + F/W 5/16" x 22mm	8PCS
B	ALLEN KEY M5	1PC

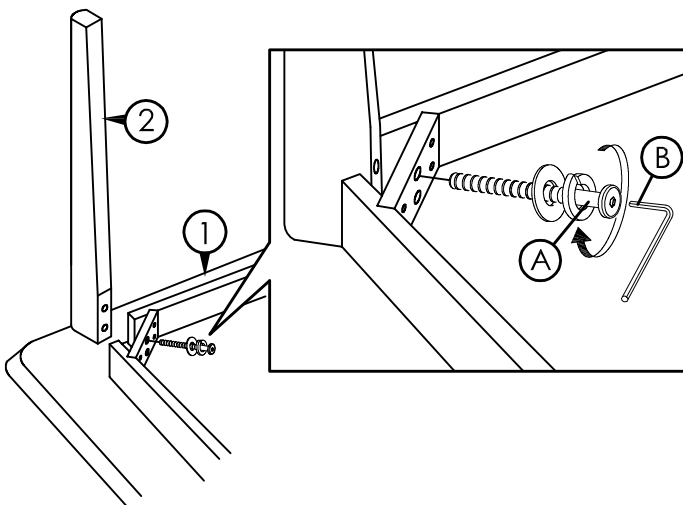


COMPLETED TABLE ASSEMBLY.

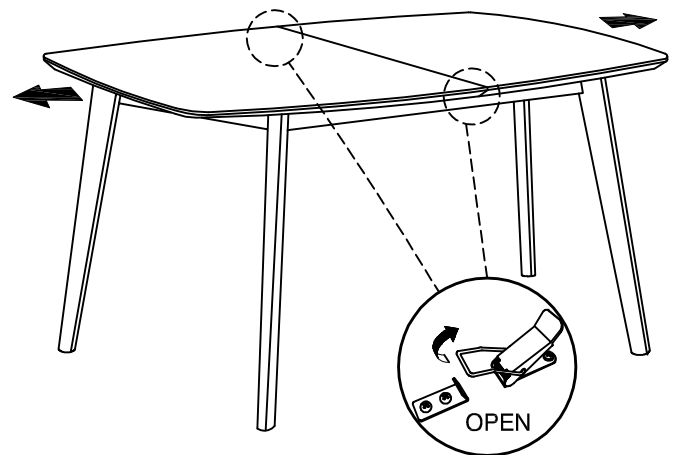
### PART LIST

1	TABLE TOP	1PC
2	TABLE LEG	4PCS

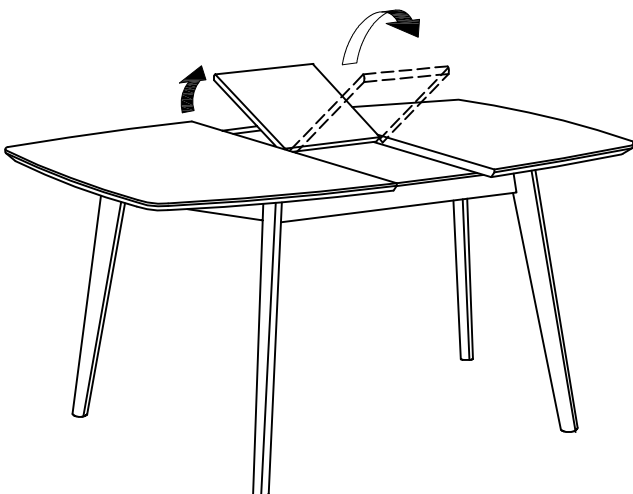
### STEP 1



### STEP 2



### STEP 3



### STEP 4

