

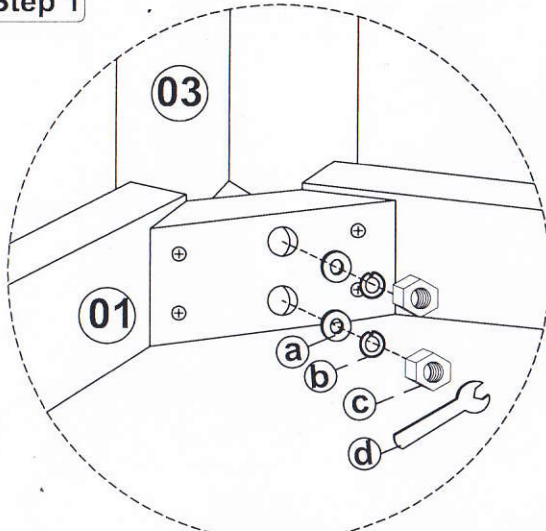
Thank You for purchasing this Quality product. It has been engineered for easy assembly yet constructed for durability. Please take the time to read and follow the instructions while assembling.

ASSEMBLY INSTRUCTION

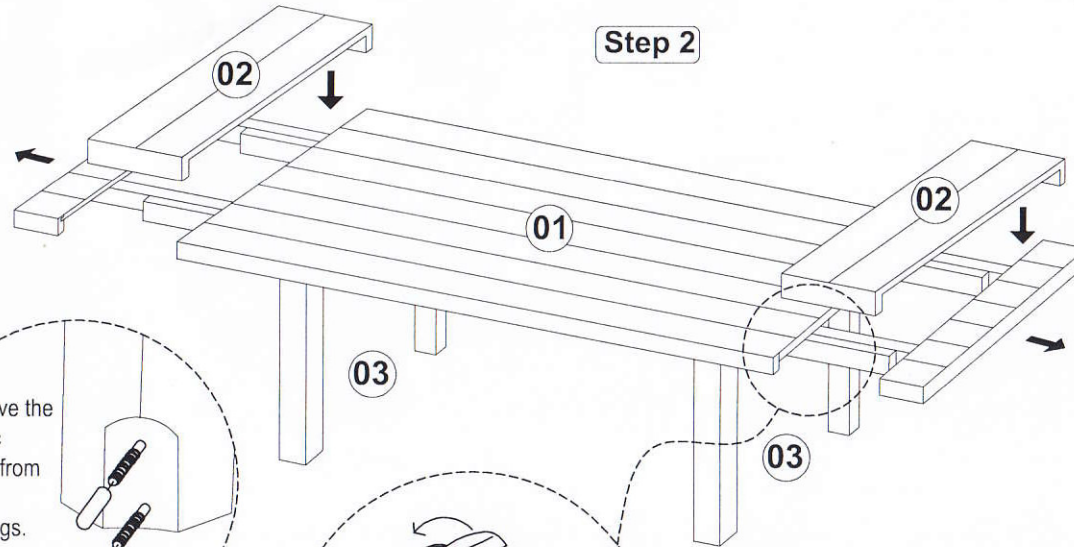
DOUBLE LEAF EXTENDING TABLE

Model : T1-RF4092- -O

Step 1



Step 2



Remove the plastic cover from the Footings.

Plastic cover

Unlock the Cam Lock under the table before Side Leaf assembled then lock it.

Size : 40" x 72" x 82" x 92" x 30"H

List of Part For 1 Set

01		Table Top	1
02		Side Leaf	2
03		Leg	4

List of hardware

a		Flat Washer 5/16" x 18mm	8
b		Spring Washer 5/16"	8
c		Hexagon Nut 5/16" x 7mm	8
d		Spanner	1

! Important Notes

- * Keep all hardware parts out of reach of children.
- * Nut holding legs on the table can work loose . Check every 6-8 weeks that nuts are tight.
- * Don't attempt to repair or modify parts that are broken or defective. Please contact the store immediately.

Notes

- * Place all wooden parts on a clean and smooth surface such as a rug or carpet to avoid the parts from being scratched.
- * Check to be sure that you have all parts and hardware.
- * Remove all wrapping materials including staples & packing straps before you start to assemble.

Care And Maintenance

- * The Touch of a soft cloth is all the maintenance your wood pieces will ever need.
- * Never use harsh chemicals or abrasive cleaner as they could mark or destroy finish.

Assembly Completed !!..

MADE IN MALAYSIA