



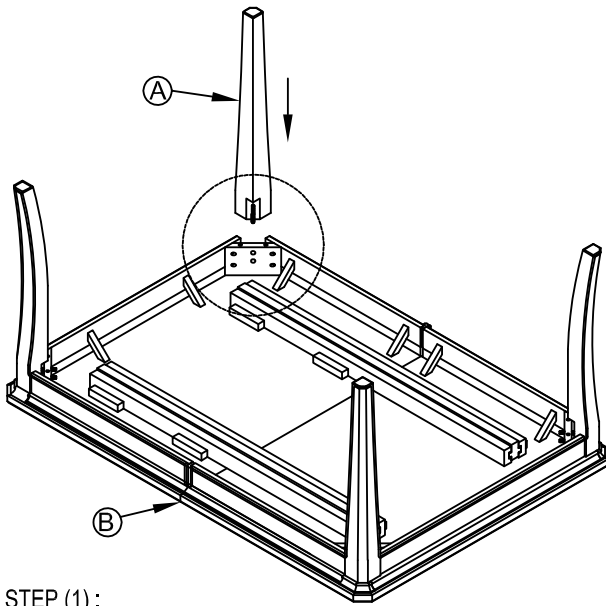
Winners Only Inc.

Assembly Instructions

78" Leg Table T1-T4278-C / T1-T4278-O

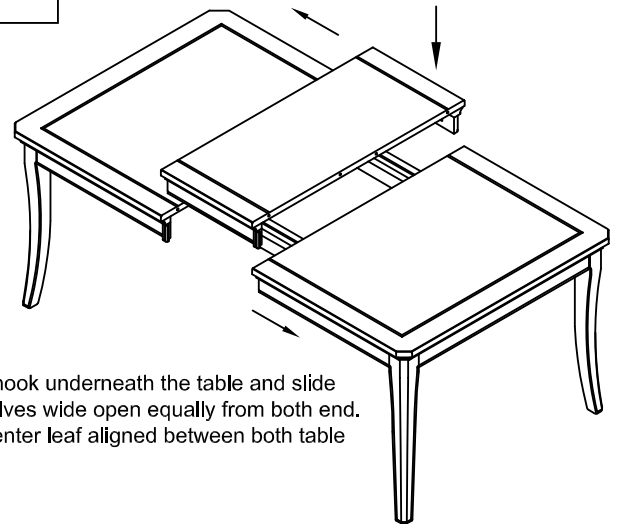
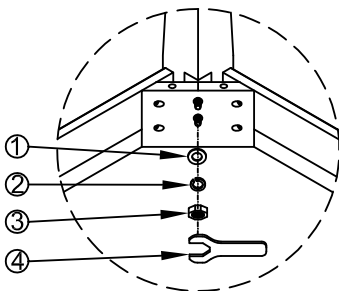
NO.	Hardware List		Q'TY
1		φ5/16" Flat Washer	8
2		φ5/16" Lock Washer	8
3		φ5/16" Nut	8
4		12mm Wrench	1

NO.	Parts List		Q'TY
A		Legs	4
B		Table Top	1



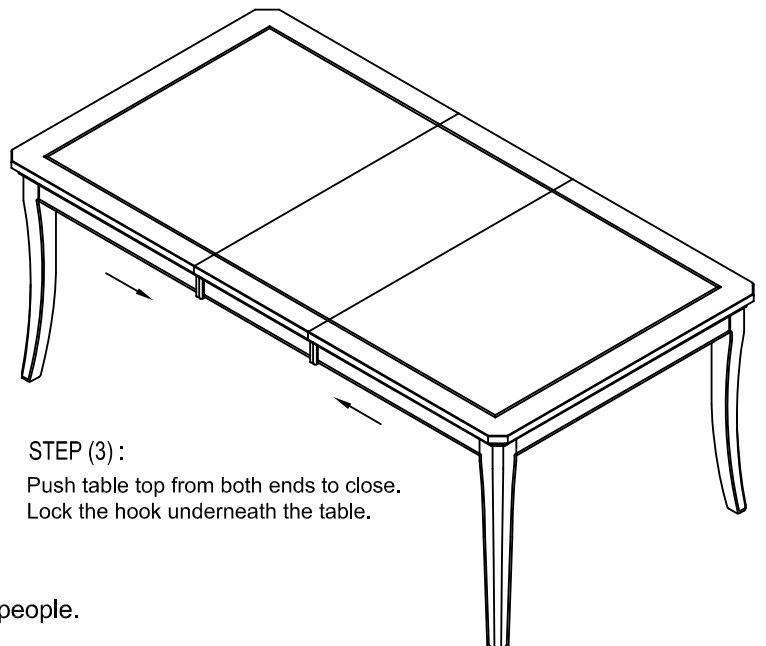
STEP (1):

Turn the Table Top upside down on a protective surface such as carpet or other soft material. Attach the legs (A) to the apron by using the 8 flat washers (1), 8 lock washers (2) and 8 nuts (3). Tighten nuts firmly with wrench (4) provided. Turn the Table upright on its legs.



STEP (2):

Unlock the hook underneath the table and slide table top halves wide open equally from both end. Place the center leaf aligned between both table top halves.



STEP (3):

Push table top from both ends to close. Lock the hook underneath the table.

NOTE : The unit should be assembled by 2 or more people.