








Winners Only Inc.

Assembly Instructions

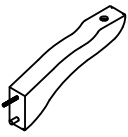
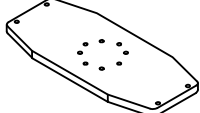
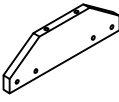

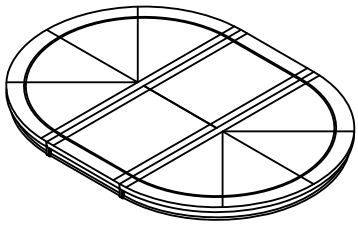
66" Single Ped Table Top-Base T1-T4866-C / T1-T4866-O

Caution: Please read instructions thoroughly before unpacking assembly parts. Sharp, exposed staple tips can cause injury, therefore, for your protection, please remove any exposed staples used in packing.

1. We recommend that you should assemble this product with the assistance of another person; this will make assembly easier, and will help to eliminate damage to the product or injury to persons during assembly.
2. Be sure to check all packing materials carefully for small parts that may have come loose inside the carton during shipment.
3. Please do not over tighten screws or bolts.
4. Please put all parts on a non-abrasive floor before assembly, and follow the assembly steps to assemble your newly purchased product correctly and efficiently.

NO.	Hardware List		Q'TY
1		Ø5/16" Flat Washer	16
2		Ø5/16" Lock Washer	16
3		Ø5/16" Nut	8
4		5/16" x 2" JCBC Bolt	8
5		Wood dowel	4
6		1/4" Allen Key	1
7		12mm Wrench	1

PARTS CHECK LIST

				
LEG (a)	MOUNTING PLATE (b)	SIDE MOUNTING PLATES (c)	PEDESTAL (d)	TABLE TOP (e)

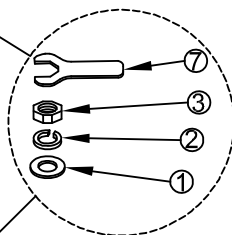
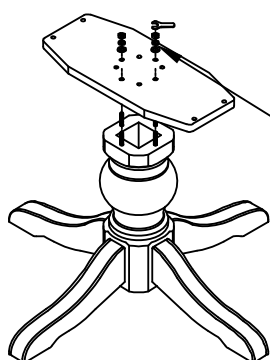
Winners Only Inc.

Assembly Instructions

66" Single Ped Table Top-BaseT1-T4866-C / T1-T4866-O

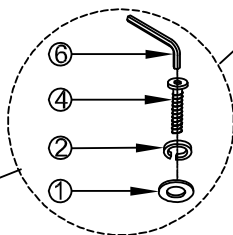
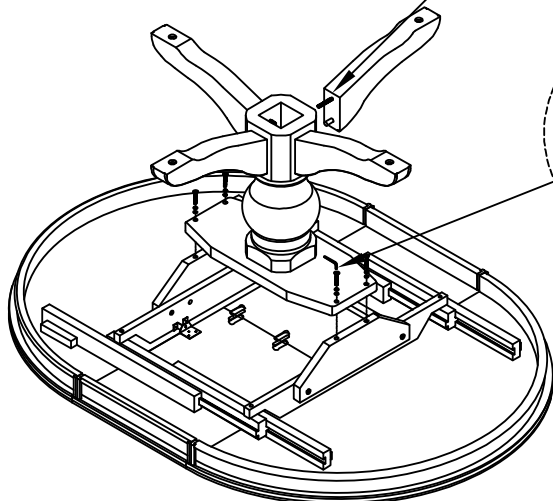
STEP (2) :

Attach the mounting plate (B) to the pedestal (D) by using the 4 flat washers (1), 4 lock washers (2) and 4 nuts (3). Tighten nuts firmly with wrench (6) provided.



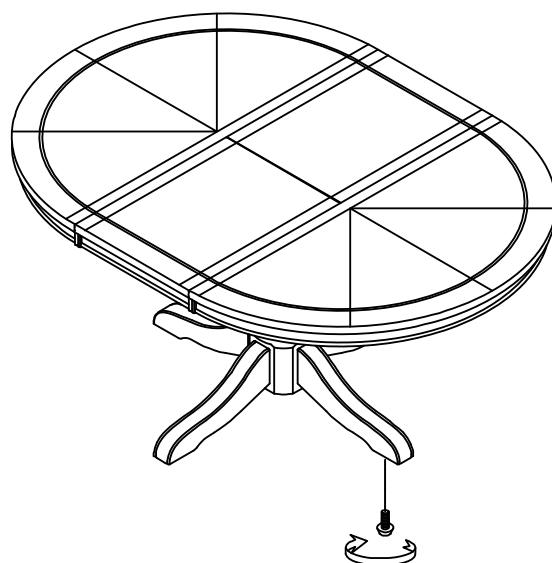
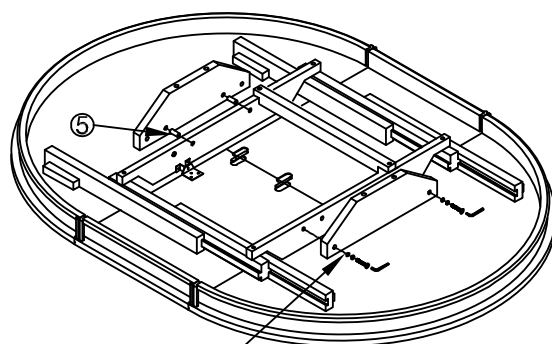
STEP (1) :

Attach the legs (A) to the pedestal (D) by using the 4 flat washers (1), 4 lock washers (2) and 4 nuts (3). Tighten nuts firmly with wrench (7) provided.



STEP (3) :

Attach the side mounting plates (C) to the support rails by using the 4 wood dowel (5), 4 flat washers (1), 4 lock washers (2) and 4 JCBC bolts (4). Tighten nuts firmly with Allen Key (6) provided.



STEP (4) :

Attach the mounting plates (B) to the side mounting plates (C) by using the 4 flat washers (1), 4 lock washers (2) and 4 JCBC bolts (4). Tighten nuts firmly with Allen Key (6) provided.

LEVELER (4 LEGS)