

IMPORTANT NOTICE:
Storing and opening the leaf requires 2 people.

WINNERS ONLY®

ASSEMBLY INSTRUCTIONS

PROD. NO : T1-TO3684 -T -P

T1-TO3684 -B -P

Thank you for purchasing this quality product. Please read the instructions thoroughly before unpacking the assembly parts.

Caution: sharp exposed staple tips can cause injury, therefore for your protection, please remove any exposed staples used in packing.

Please keep all hardware parts out of the reach of children.

1. We recommend that you should assemble this product with the assistance of another person; this will make the assembly easier, and will help to prevent personal injury and to insure parts are not damaged during the assembly process.

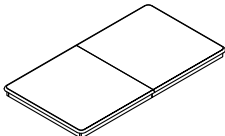
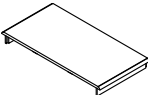
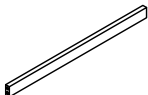

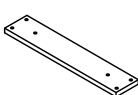
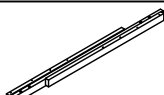
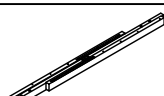

2. Before beginning, please check the packing materials carefully for small parts which may have come loose inside the carton during shipping. Please do not discard any packing material until all parts have been located. If any parts are missing, please contact your dealer for prompt replacement.

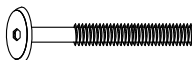







3. To prevent damage to your floor or carpet, please check the bottom of each piece of furniture for stain residues and rough surfaces and also check for staples or nails left after removing the packing materials. The manufacturer will not be held responsible if preventive steps are not taken prior to installation.

4. Please do not over tighten screws or bolts. During normal use everyday, screws, bolts, nuts and wooden plugs may loosen up. They should be periodically inspected and re-tightened to prevent damage to the furniture and (or) personal property or cause injury. Always check to be sure all hardware on this list and the below mentioned components are attached to the furniture properly and kept tightened.

5. Please lay all parts and hardware on a non abrasive surface such as a carpet, and follow the assembly

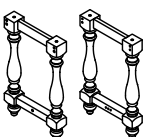
Hardware List :

T1-TO3684 -T -P		COMPONENTS LIST	QTY
A	Table Top		1pc
B	Table Leaf		1pc
C	Trestle Bar		2pcs
D	Bottom Rail		1pc
E	Mounting Plate		2pcs
F	Wood Glide		1pc
G	Gear Driven Glide		1pc
H	Clamp Lock		4pcs

NO	DESCRIPTION	SIZE	FIGURE	QTY
1	Long Bolt	Ø5/16"x 110mm		8pcs
2	Spring Washer	Ø5/16"x 12mm		22pcs
3	Small Flat Washer	Ø5/16"x 14mm		10pcs
4	Allen Key	58x 23x 4mm		1pc
5	Short Bolt	Ø5/16"x 64mm		6pcs
6	Flat Washer	Ø5/16"x 19mm		12pcs
7	Short Bolt	Ø1/4"x 75mm		8pcs
8	Wood Cap	Ø15.5x 10mm		10pcs

IMPORTANT NOTE:

- Please keep all hardware parts out of the reach of children.
- Two or more people are needed for assembly.

T1-TO3684 -B -P		COMPONENTS LIST	QTY
I	Table Leg		2pcs

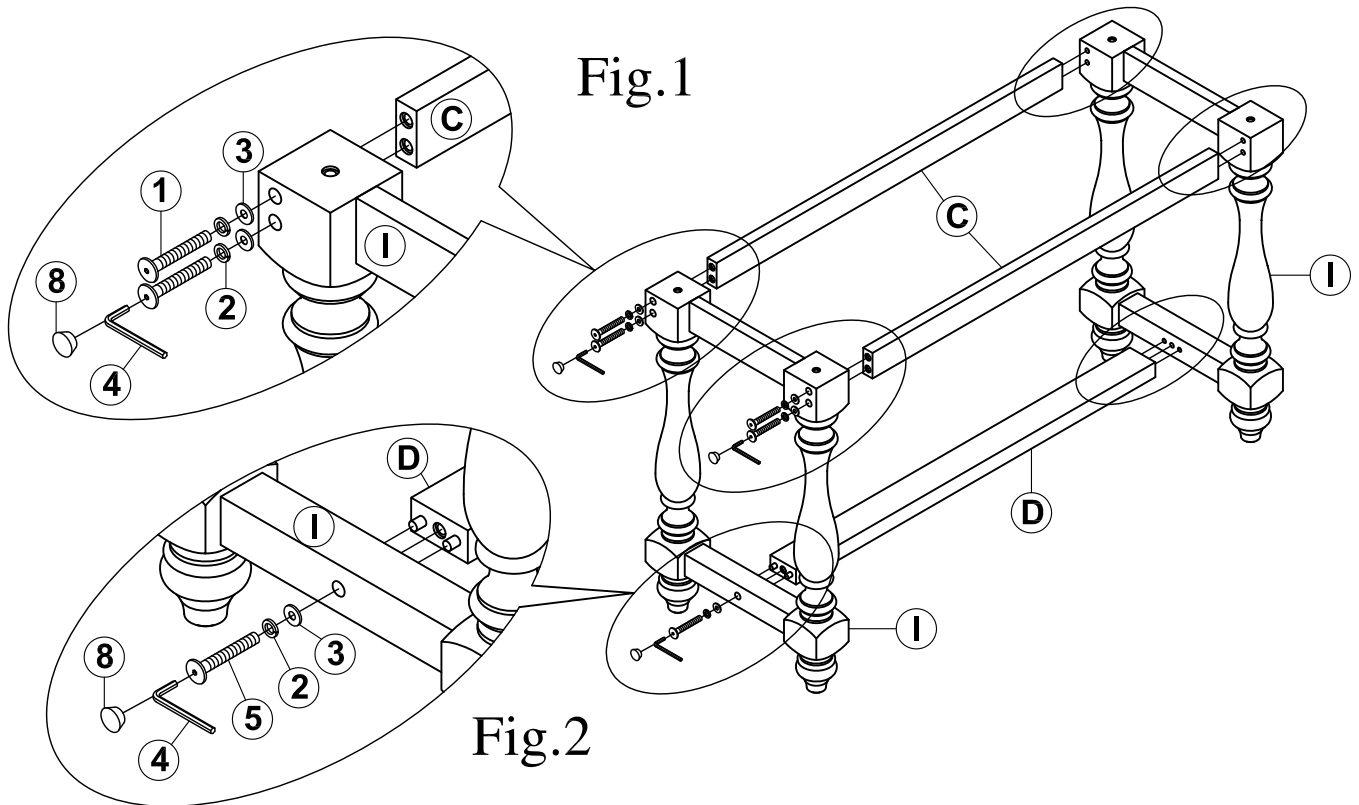
TIP: store the Allen key and or Wrench used in assembly in this product's drawer or use masking or painter's tape to affix it to the underside of the product. This will make it easier to find if you want to periodically tighten bolts or disassemble the product.

WINNERS ONLY[®]

ASSEMBLY INSTRUCTIONS

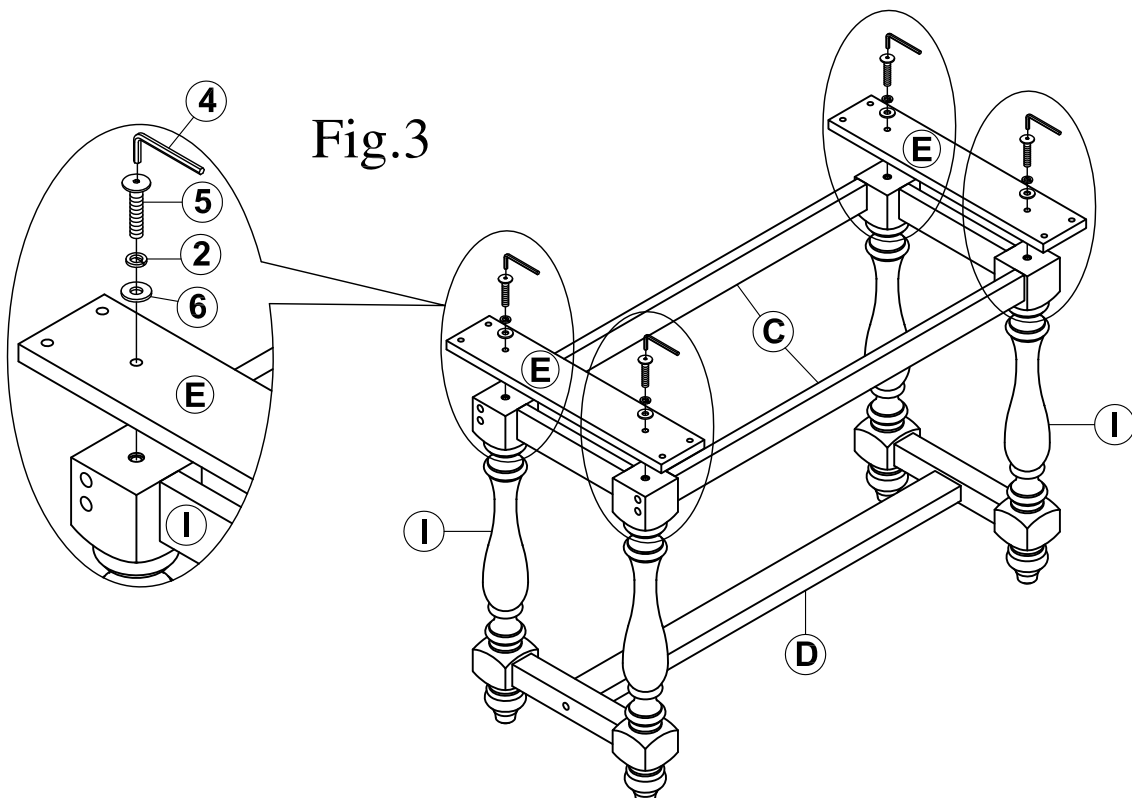
Step 1.

Attached Table Leg (I) to the Trestle Bar (C) and Bottom Rail (D) using the provided hardware as shown on Fig.1 / Fig.2 .



STEP 2:

Attached Mounting Plate (E) to the Table Leg (I) using the provided hardware as shown on Fig.3.

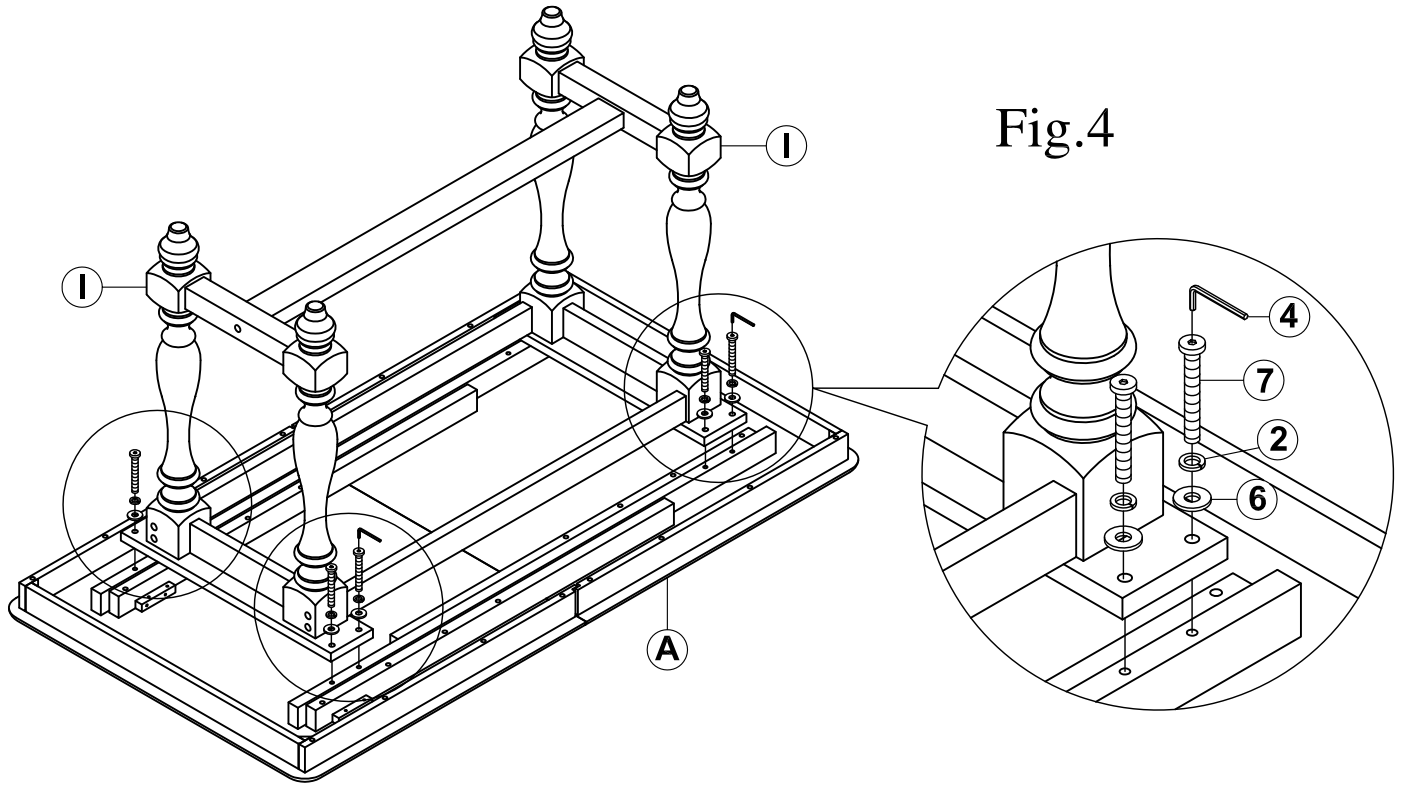


WINNERS ONLY®

ASSEMBLY INSTRUCTIONS

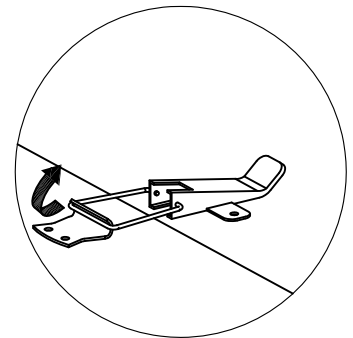
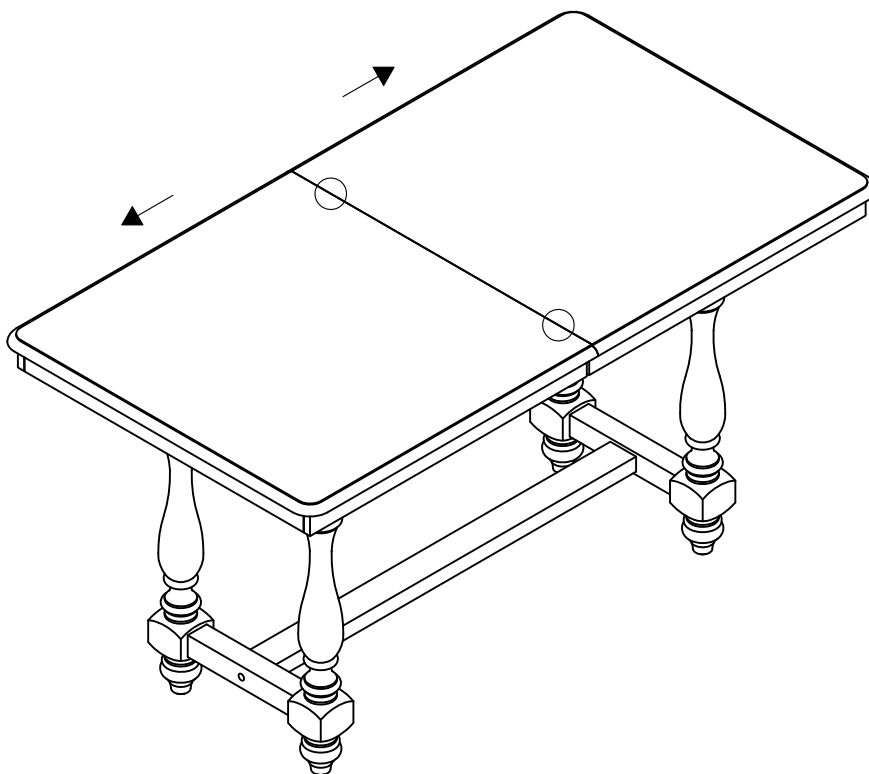
STEP 3:

Place Table Top (A) upside down on a soft protective surface such as a carpet. Turn the table base assembly upside down and attach table leg assembly to the Table Top (A) Using the Provided Hardware as shown in Fig. 4.



STEP 4:

- Turn the table to upright position. Unlock the Clamp Locks (H) underneath the Table Top (A). pull from both ends of table top (A).



WINNERS ONLY®

ASSEMBLY INSTRUCTIONS

STEP 5:

Place the Table Leaf (B) in position and push Table Top (A) from both ends to close. Lock the Clamp Lock (H) underneath the Table Top (A) to prevent injury from sliding table top (A).

