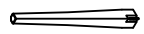



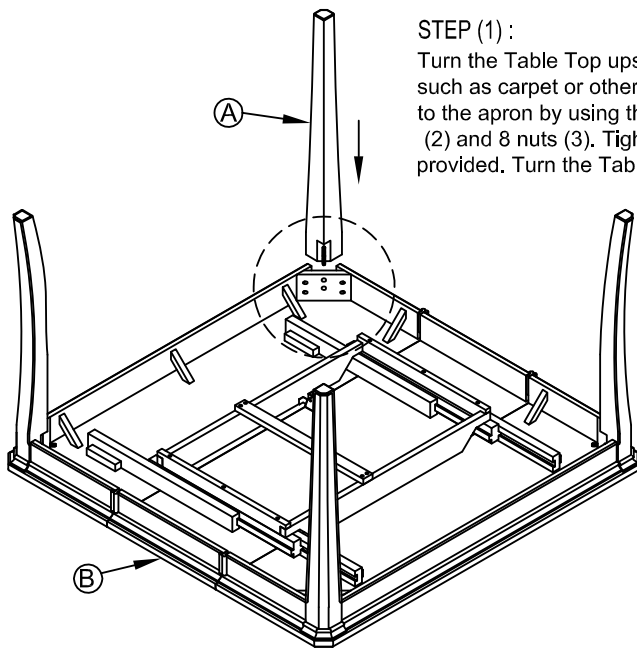
Winners Only Inc.

Assembly Instructions

54" Leg Table T1-TT5454-C / T1-TT5454-O

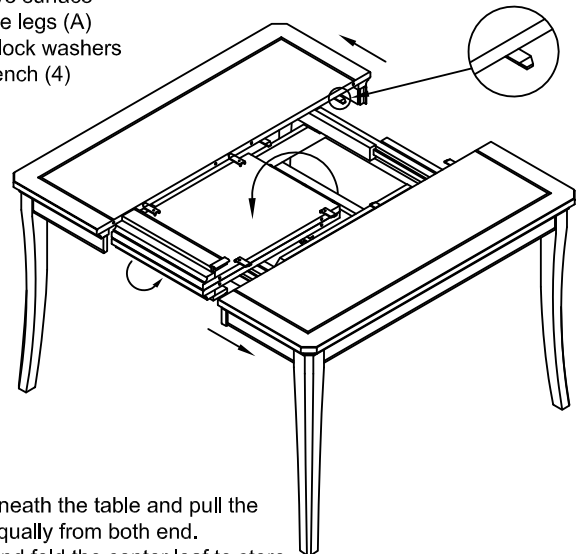
NO.	Hardware List		Q'TY
1		φ5/16" Flat Washer	8
2		φ5/16" Lock Washer	8
3		φ5/16" Nut	8
4		12mm Wrench	1

NO.	Parts List		Q'TY
A		Legs	4
B		Table Top	1



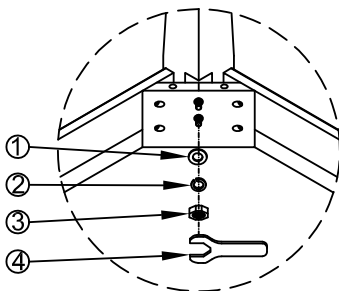
STEP (1) :

Turn the Table Top upside down on a protective surface such as carpet or other soft material. Attach the legs (A) to the apron by using the 8 flat washers (1), 8 lock washers (2) and 8 nuts (3). Tighten nuts firmly with wrench (4) provided. Turn the Table upright on its legs.



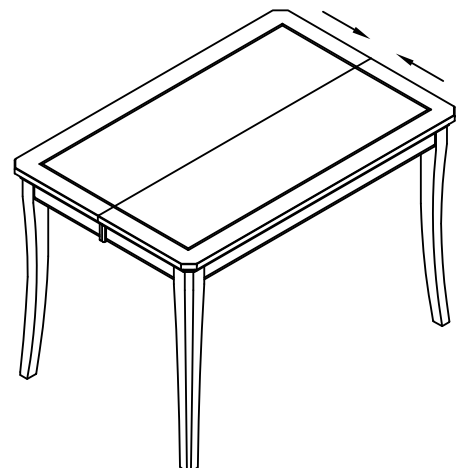
STEP (2) :

Unlock the hook underneath the table and pull the TableTop wide open equally from both end. Flip down the aprons and fold the center leaf to store within the compartment.



STEP (3) :

Push table top from both ends to close. Lock the hook underneath the table.



NOTE : The unit should be assembled by 2 or more people.

∴ Before folding off the leaf, please pull out the extension slide of two table side panels so that the left /side panels will not touch the hardware.