

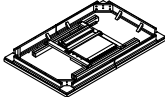
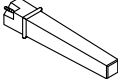
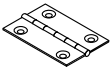
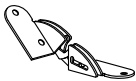
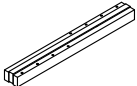

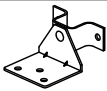
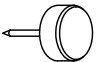
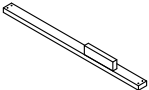
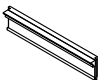
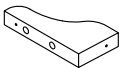
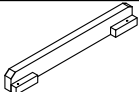
WINNERS ONLY®

ASSEMBLY INSTRUCTIONS

PROD. NO : T1-UR4184 - -G

Thank you for purchasing this quality product. Be sure to check all packaging materials carefully for small parts that may have come loose inside the carton during shipment.

COMPONENTS LIST

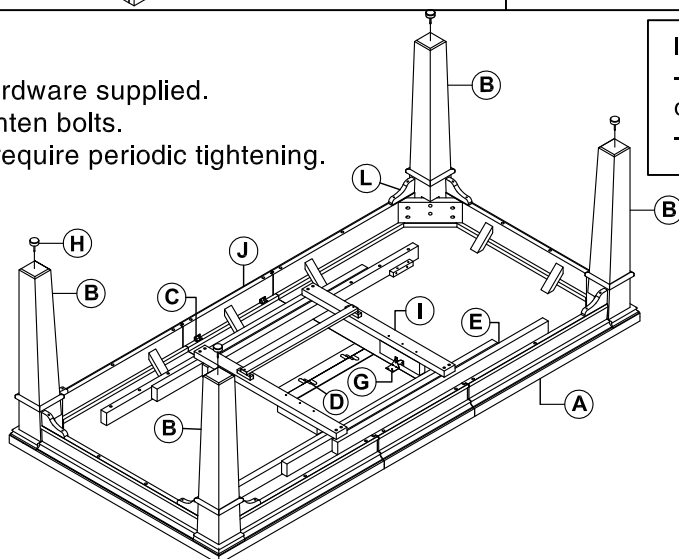
PART NO	FIGURE	DESCRIPTION	QTY
A		TABLE TOP	1 PC
B		TABLE LEG	4 PCS
C		APRON HINGE	4 PCS
D		LEAF HINGE	2 PCS
E		GLIDES	2 PCS
F		CLAMP LOCK	4 PCS
G		SUPPORT LEAF HINGE	2 PCS
H		PLASTIC GLIDE	4 PCS
I		SUPPORT BAR (LEFT- RIGHT)	2 PCS
J		APRON LEAF (LEFT- RIGHT)	2 PCS
L		CAP	8 PCS
K		TEMPORARY BLOCKS (PLEASE REMOVE BEFORE USE)	1 PC

Reminders

1. Use only the hardware supplied.
2. Do not over-tighten bolts.
3. This item may require periodic tightening.

IMPORTANT NOTE:

- Please keep all hardware parts out of the reach of children.
- Two or more people are needed for assembly.



WINNERS ONLY®

ASSEMBLY INSTRUCTIONS

PROD. NO : T1-UR4184 - -G

Hardware List :

NO	DESCRIPTION	SIZE	FIGURE	QTY
1	Flat Washer	5/16"x 19mm		8pcs
2	Spring Washer	5/16"x 12mm		8pcs
3	Hex- Nut	5/16"x 12mm		8pcs
4	Wrench	12x 75mm		1pc
5	Screw	Ø7.2x Ø3.5x 30mm		16pcs

Step (1): place the table top (A) upside down on a smooth and flat surface. Attach the legs (B) to the table top (A), using flat washers (1), spring washers (2), and hex- nut (3), tighten all using wrench (4).

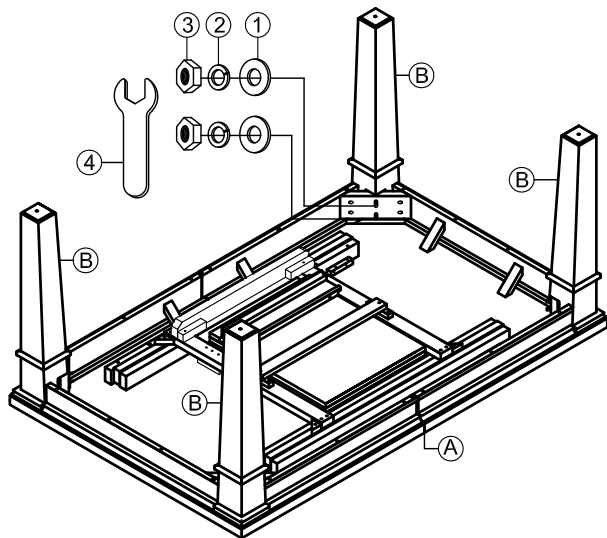
Step (2): attach the cap (L) to the leg (B) and apron using screw (5)

Step (3): turn the table to upright position. open the latches underneath of table top (A). pull from both ends of table top (A).

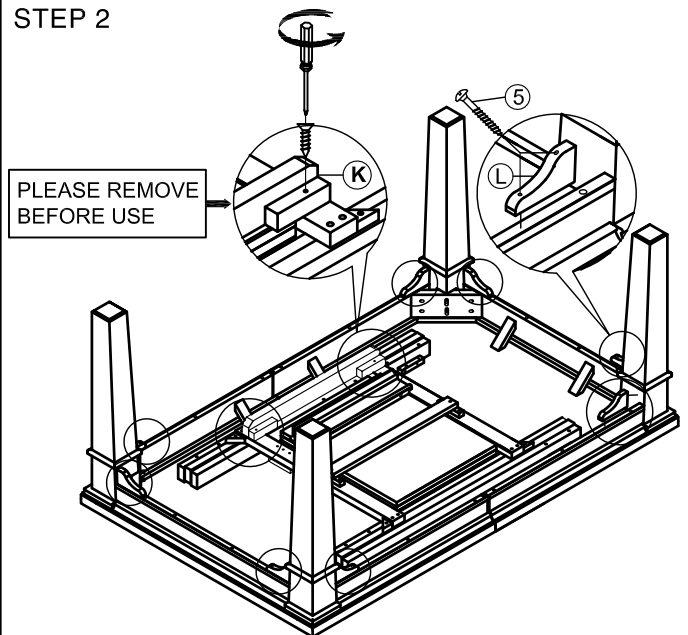
Step (4): then open the butterfly leaf which is stored under the table top.

close the table by pushing in the end and tighten the latch underneath the table.

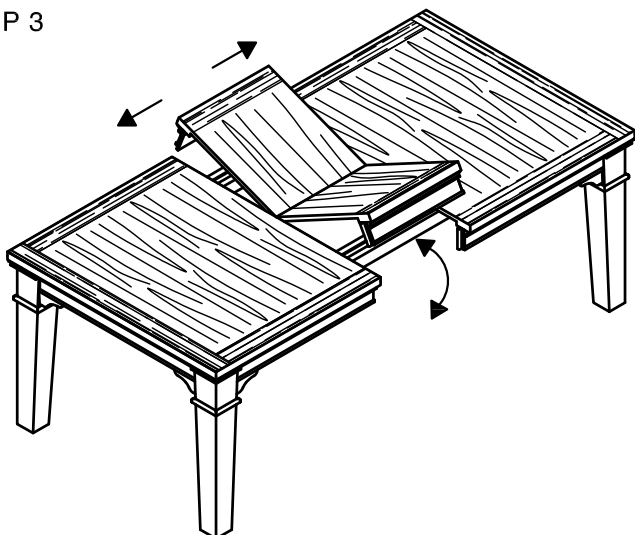
STEP 1



STEP 2



STEP 3



STEP 4

