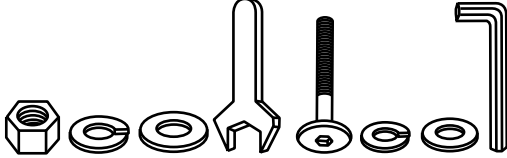
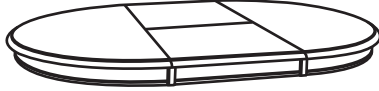

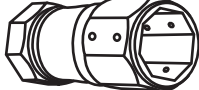


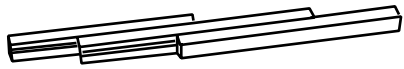
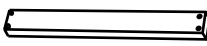





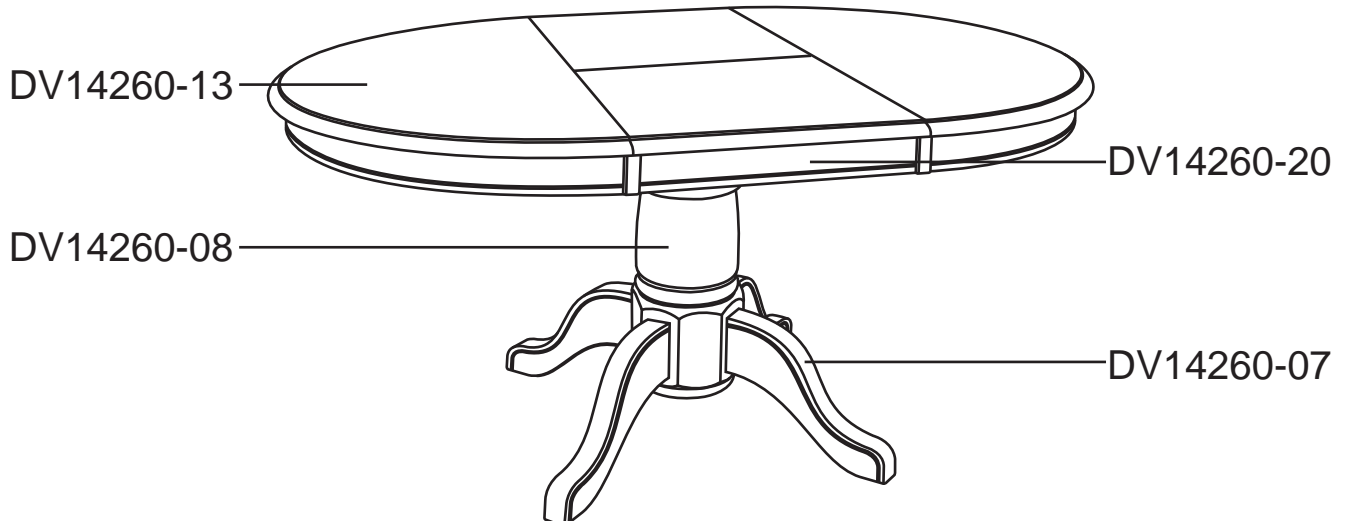


Assembly Instructions

T1-VG4260-O & -C
SOLID TOP BUTTERFLY LEAF PEDESTAL TABLE

PARTS LIST




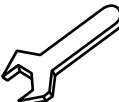




PART NO	FIGURE	DESCRIPTION	Q'TY
DV14260-01		Hardware Bag	1 Pc
DV14260-13		Table Top	1 Pc
DV14260-07		Leg	4 Pcs
DV14260-08		Pedestal	1 Pc
DV14260-02		Apron Hinge	4 Pcs
DV14260-09		Leaf Hinge	3 Pcs
DV14260-05		Glides	2 Pcs
DV14260-17		Support Leaf	1 Pcs
DV14260-18		Mounting Plate	1 Pc
DV14260-19		Side Mounting Plate	2 Pcs
DV14260-10		Hook Lock	4 Pcs
DV14260-12		Support Leaf Hinge	2 Pcs
DV14260-20		Apron Leaf	2 Pcs



Assembly Instructions

T1-VG4260-O & -C SOLID TOP BUTTERFLY LEAF PEDESTAL TABLE

HARDWARE PART :

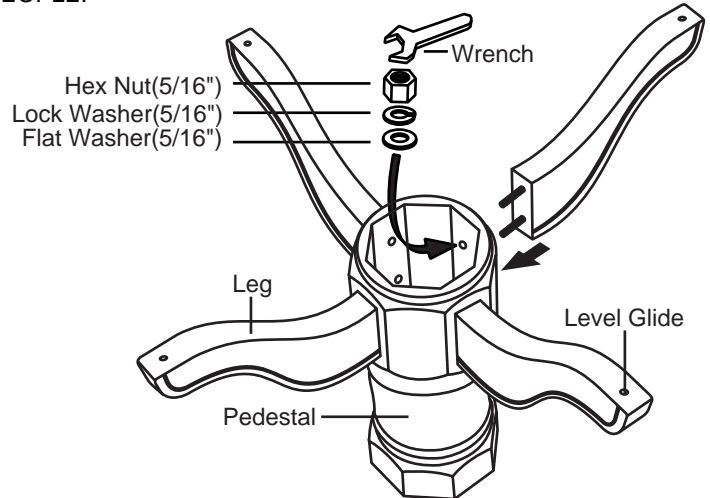
							
5/16" Hex Nut 12 pcs	5/16" Lock Washer 12 pcs	5/16" Flat Washer 12 pcs	Wrench 1 pce	M6x50mm JCBC Bolt 10 pcs	M6x13mm Lock Washer 10 pcs	M6.5x16.5mm Flat Washer 10 pcs	Allen Key 1 pce

NOTE : THE UNIT SHOULD BE ASSEMBLED BY 2 OR MORE PEOPLE.

ASSEMBLY

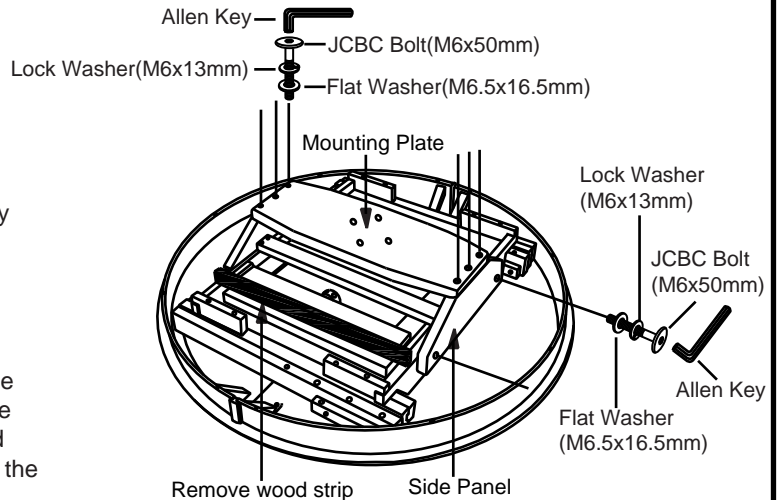
STEP 1

Turn the pedestal upside down. Attach legs by inserting hanger bolts through pre-drilled holes on pedestal. Put a Flat Washers(5/16"), Lock Washers(5/16") and Hex Nut(5/16") onto the hanger bolts then tighten with the provided Wrench.



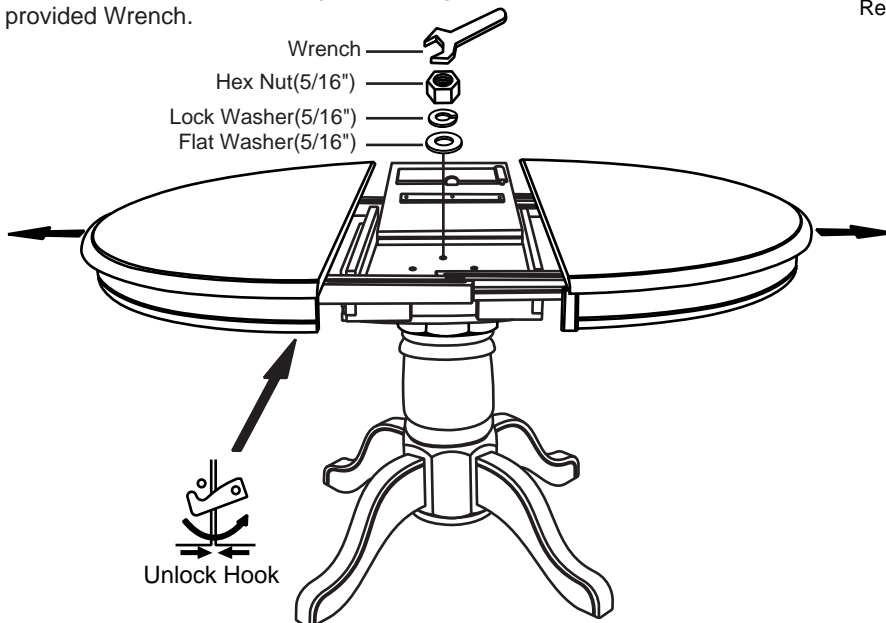
STEP 2

Position the table top upside down on a smooth, protective surface such as carpet. Remove and discard the temporary Wood Strip. Install the side panel and secure with Flat Washers(M6.5x16.5mm), Lock Washers(M6x13mm) and JCBC Bolt. Attach Mounting Plate as shown. Secure with Flat Washers(M6.5x16.5mm), Lock Washers(M6x13mm) and JCBC Bolt(M6x50mm), then tighten all JCBC bolts with Allen Key provided.



STEP 3

Unlock the hooks underneath the table and pull the table top wide open equally from both ends. Align and attach the table top to the pedestal. Insert a Flat Washers(5/16"), Lock Washers(5/16") and Hex Nuts(5/16") onto the hanger bolts. Tighten all Hex Nuts with the provided Wrench.



IMPORTANT NOTE :

1. Use only the hardware supplied.
2. Do not over-tighten bolts.
3. This item may require periodic tightening.

IMPORTANT NOTE :

~ Please keep all hardware out of the reach of children. Two or more people are needed for assembly.

CARE INSTRUCTION

- ~ Be sure to use the same type of polish consistently. Your furniture will appear cloudy or streaky if oil based or wax based polishes are interchanged.
- ~ Spray your furniture surface evenly. Wipe in a circular motion with a soft clean cloth.

IMPORTANT NOTE:

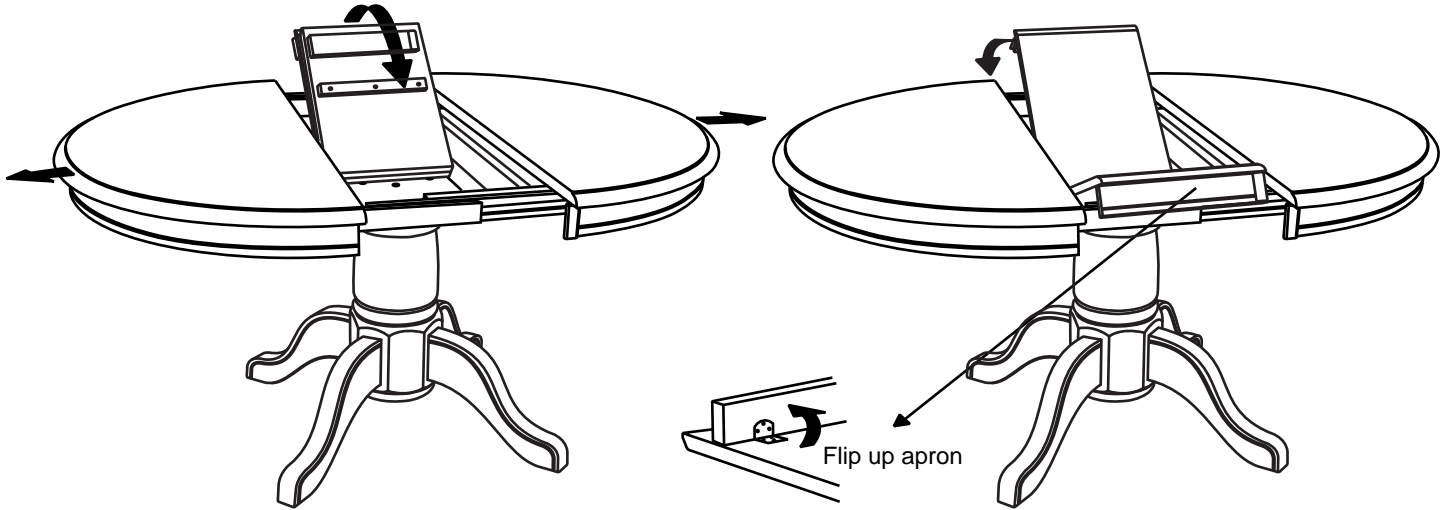
Storing and opening the leaf requires 2 people.

Assembly Instructions

T1-VG4260-O & -C SOLID TOP BUTTERFLY LEAF PEDESTAL TABLE

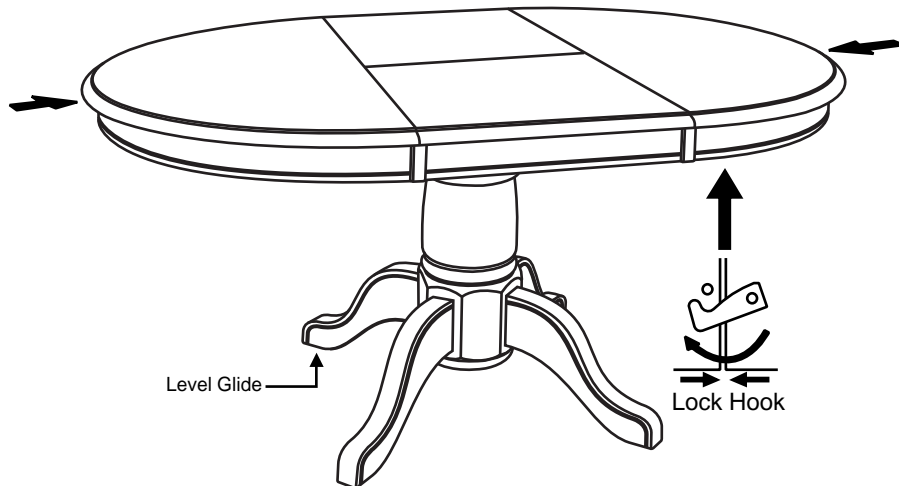
STEP 4

Lift both leaves from the compartment and flip up the aprons then unfold table leaf and place the leaf on the top surface carefully.



STEP 5

Push table top from both ends to close gap and lock the hooks underneath the table. Adjust the level glides until the table sits firmly.



TO STORE THE CENTRE LEAF WHEN NOT IN USE

Unlock the hooks underneath the table and pull the table top wide open equally from both ends. Flip down the aprons and fold the centre leaf to store within the compartment. Push table top from both ends to close. Lock the hooks underneath the table.

