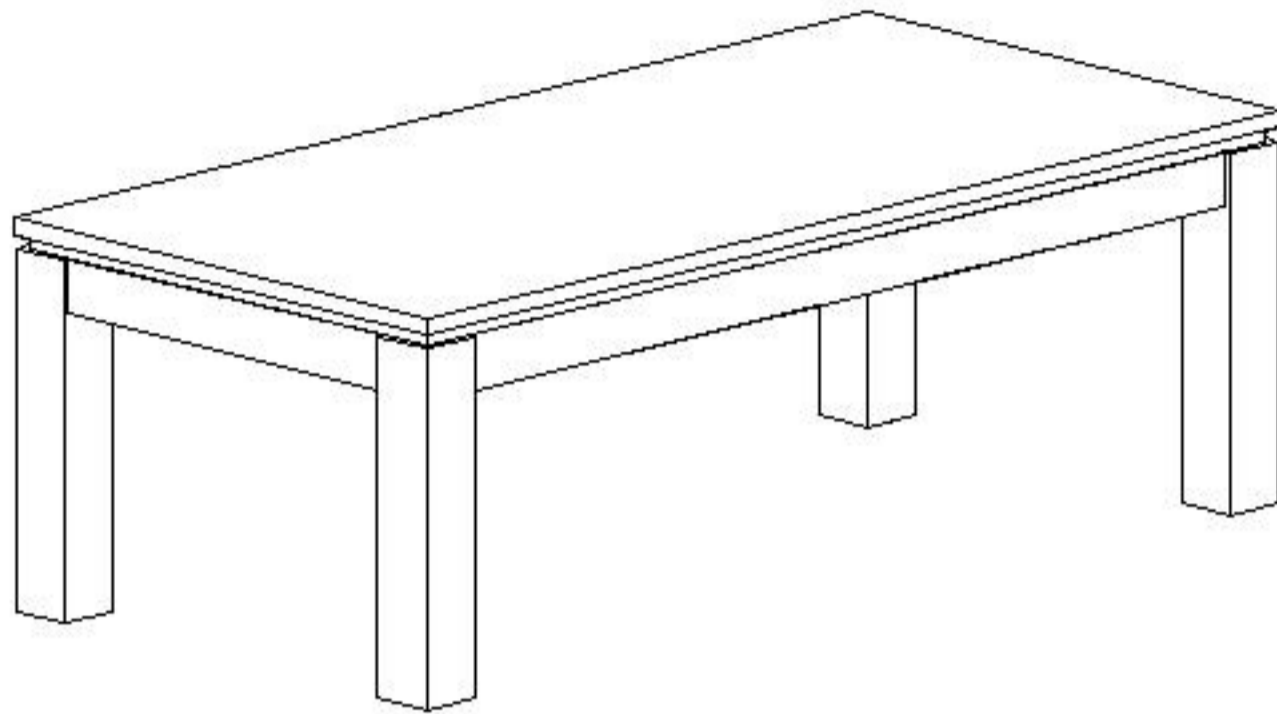


# ALEXIS COFFEE TABLE

## ASSEMBLY INSTRUCTION

Pg.1/2



Thank you for purchasing this quality product. Be sure to check all packing material carefully for small parts that may come loose inside the carton box during shipment.

### IMPORTANT

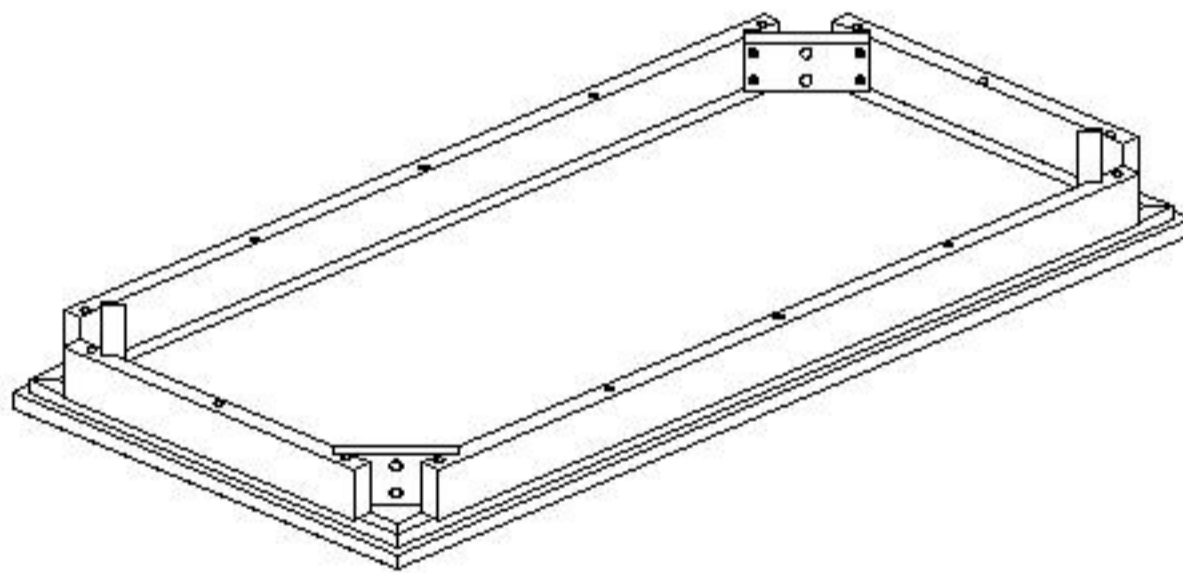
Please go through this assembly instruction before starting assembly. Kindly follow the sequence listed to assure fast, easy and correct assembly.

### CARE & MAINTENANCE

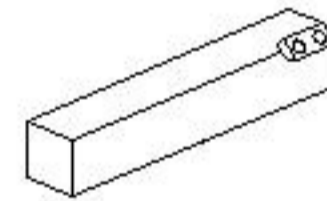
Wipe clean with soft cloth and furniture polish.

MADE IN MALAYSIA

### PARTS LIST



(A)  
Table Top - 1 pc



(B)  
Leg - 4 pcs

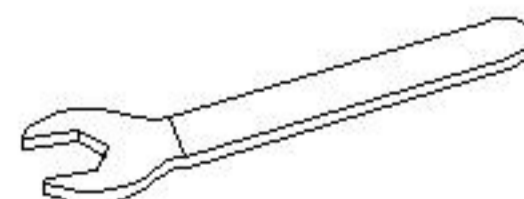
### HARDWARE LIST



(1) M8x70mm  
Hexagon Bolt - 8 pcs



(2) M8x18mm Flat  
Washer - 8 pcs



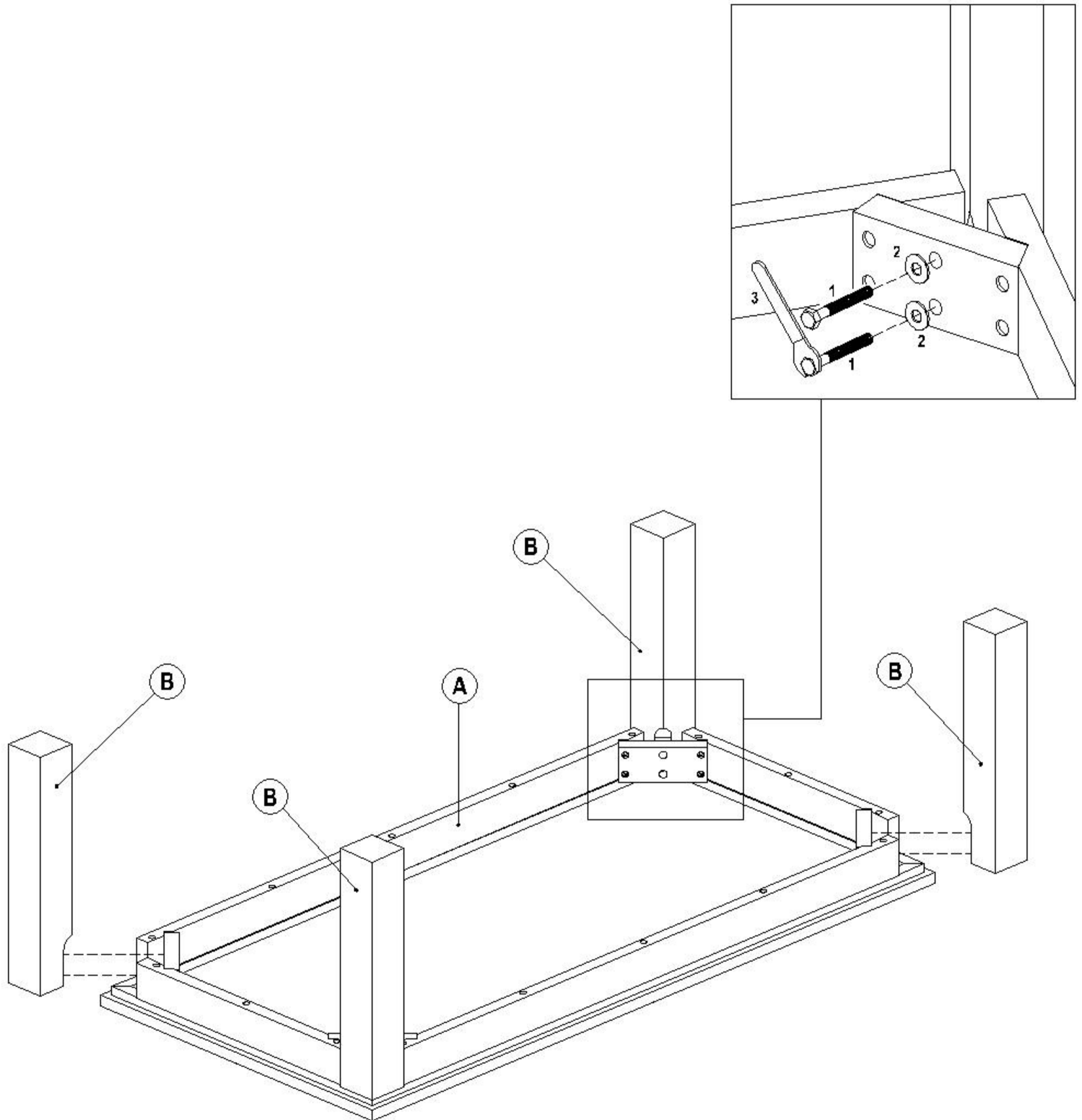
(3) 13mm Wrench - 1 pc

Note: EXTRA hardware are included

# ALEXIS COFFEE TABLE

## ASSEMBLY INSTRUCTION

Pg.2/2



# 1

- (i) Carefully place the **TABLE TOP (A)** on a flat safe surface.  
**NOTE :** Please find a suitable surface to avoid damaging the parts.
- (ii) Attach **LEG (B)** to the **TABLE TOP (A)** using Hexagon Bolts (1) together with Flat Washer (2).
- (iii) Fully tighten Hexagon Bolts (1) with 13mm Wrench (3).