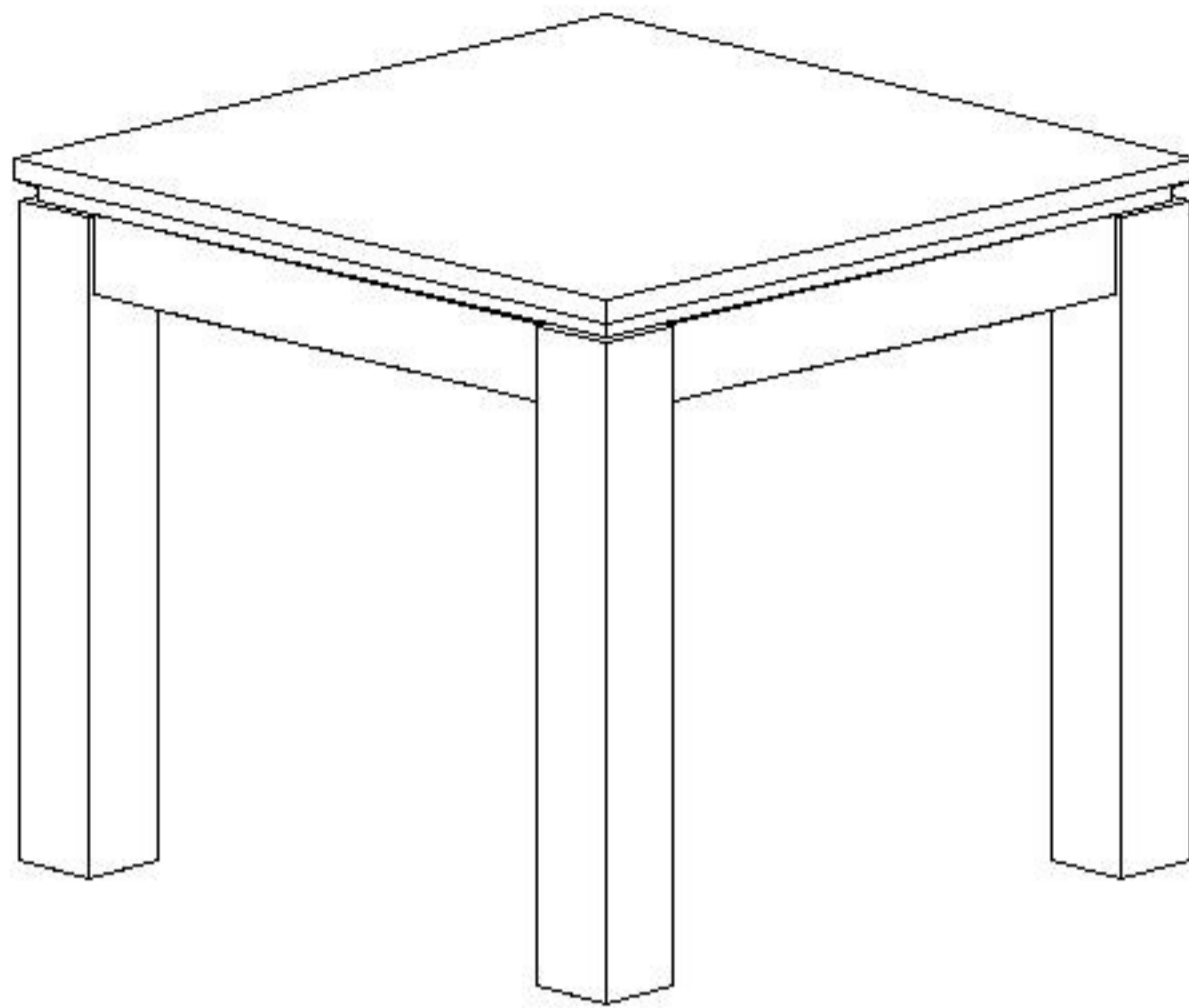


ALEXIS END TABLE

ASSEMBLY INSTRUCTION

Pg.1/2



Thank you for purchasing this quality product. Be sure to check all packing material carefully for small parts that may come loose inside the carton box during shipment.

IMPORTANT

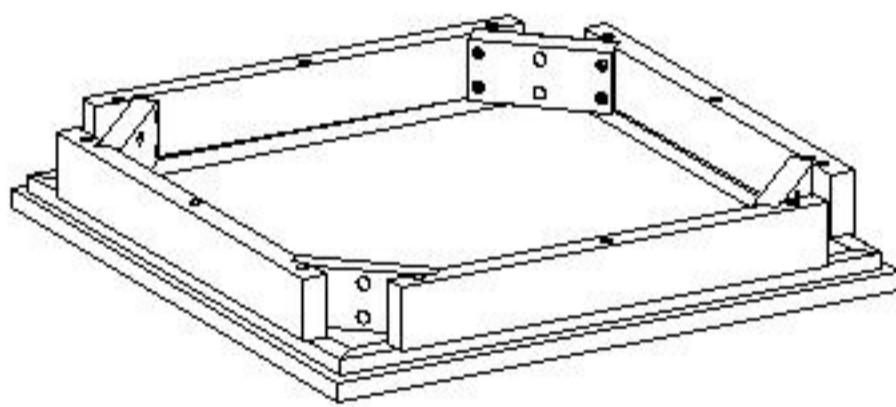
Please go through this assembly instruction before starting assembly. Kindly follow the sequence listed to assure fast, easy and correct assembly.

CARE & MAINTENANCE

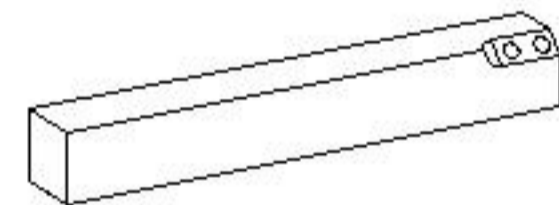
Wipe clean with soft cloth and furniture polish.

MADE IN MALAYSIA

PARTS LIST



(A)
Table Top - 1 pc



(B)
Leg - 4 pcs

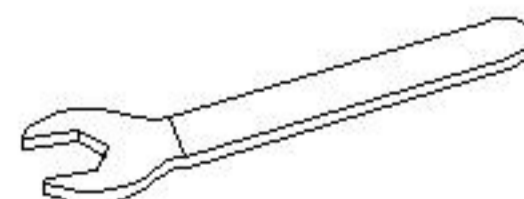
HARDWARE LIST



(1) M8x70mm
Hexagon Bolt - 8 pcs



(2) M8x18mm Flat
Washer - 8 pcs

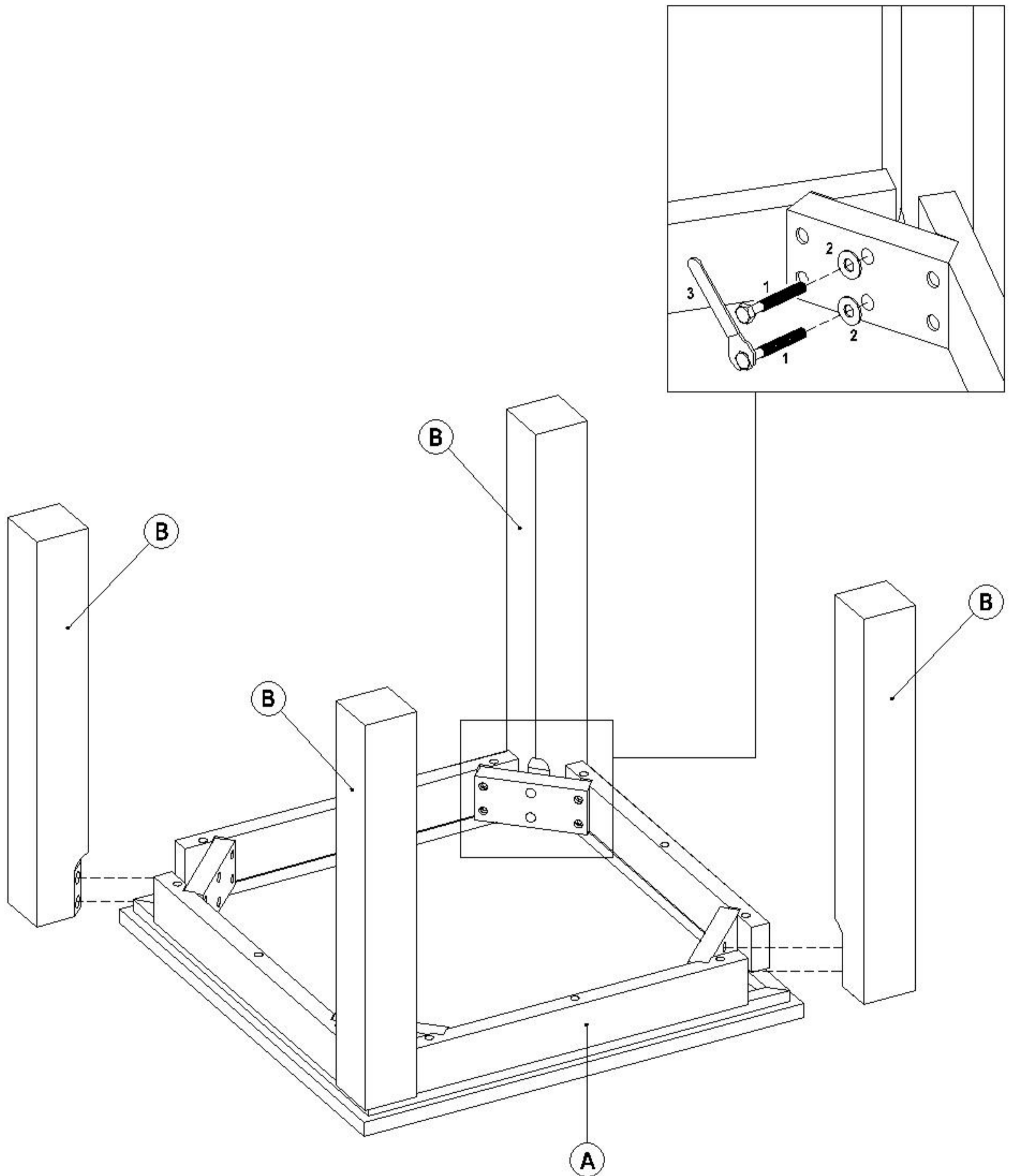


(3) 13mm Wrench - 1 pc

Note: EXTRA hardware are included

ALEXIS END TABLE

ASSEMBLY INSTRUCTION



1

- (i) Carefully place the **TABLE TOP (A)** on a flat safe surface.
NOTE : Please find a suitable surface to avoid damaging the parts.
- (ii) Attach **LEG (B)** to the **TABLE TOP (A)** using Hexagon Bolts (1) together with Flat Washer (2).
- (iii) Fully tighten Hexagon Bolts (1) with 13mm Wrench (3).