

# ALEXIS NEST OF TABLE ASSEMBLY INSTRUCTION

Pg.1/2

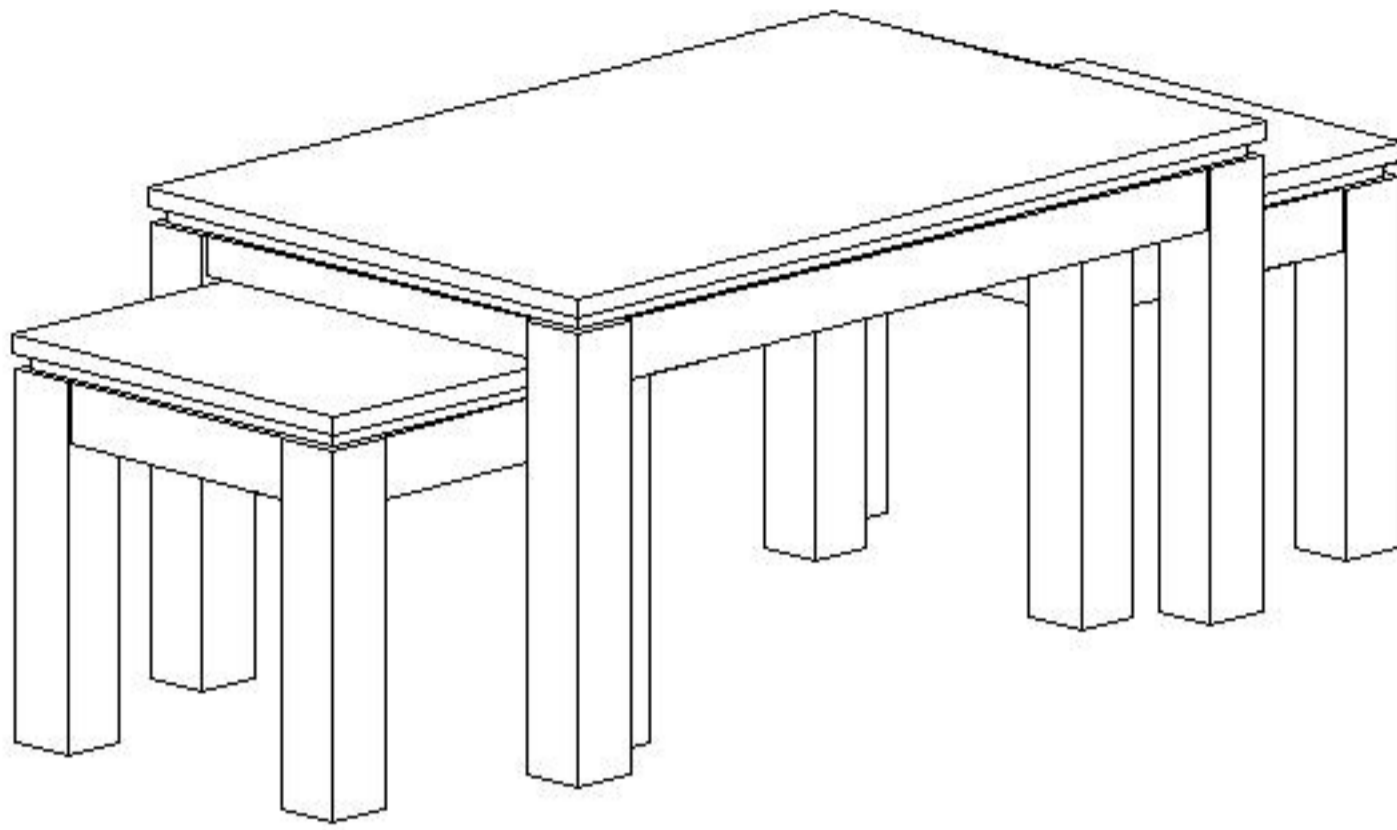
Thank you for purchasing this quality product. Be sure to check all packing material carefully for small parts that may come loose inside the carton box during shipment.

## IMPORTANT

Please go through this assembly instruction before starting assembly. Kindly follow the sequence listed to assure fast, easy and correct assembly.

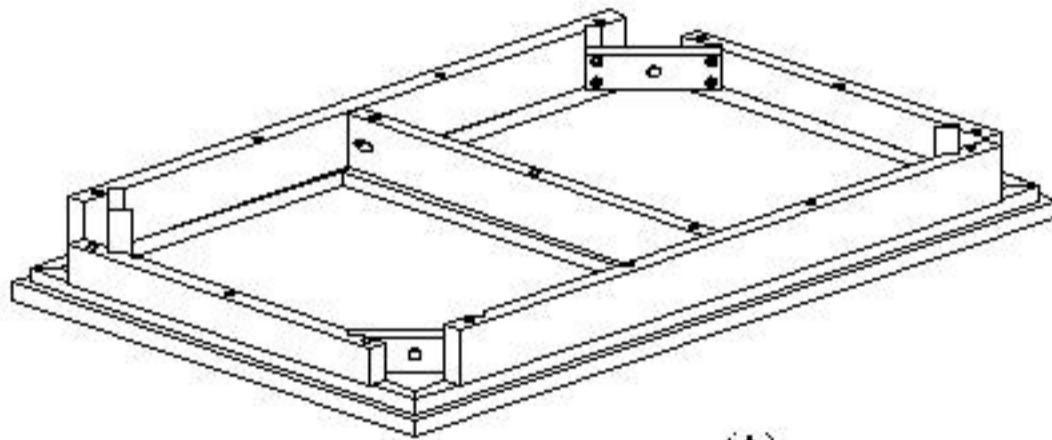
## CARE & MAINTENANCE

Wipe clean with soft cloth and furniture polish.

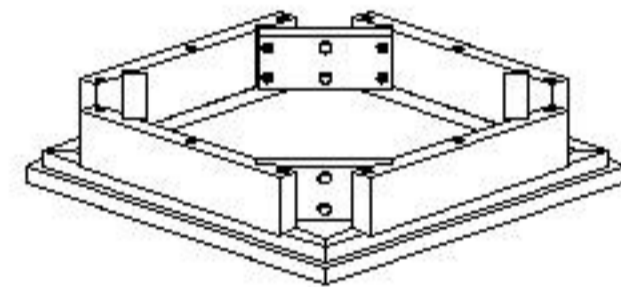


MADE IN MALAYSIA

## PARTS LIST



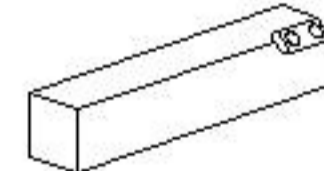
(A)  
Table Top (Large) - 1 pc



(B)  
Table Top (Small) - 2 pcs



(C)  
Leg (Large) - 4 pcs



(D)  
Leg (Small) - 8 pcs

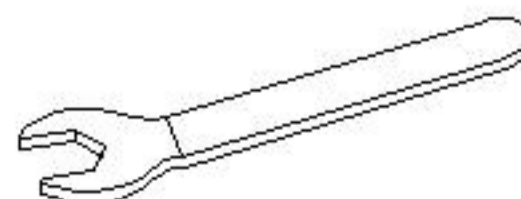
## HARDWARE LIST



(1) M8x70mm  
Hexagon Bolt - 20 pcs



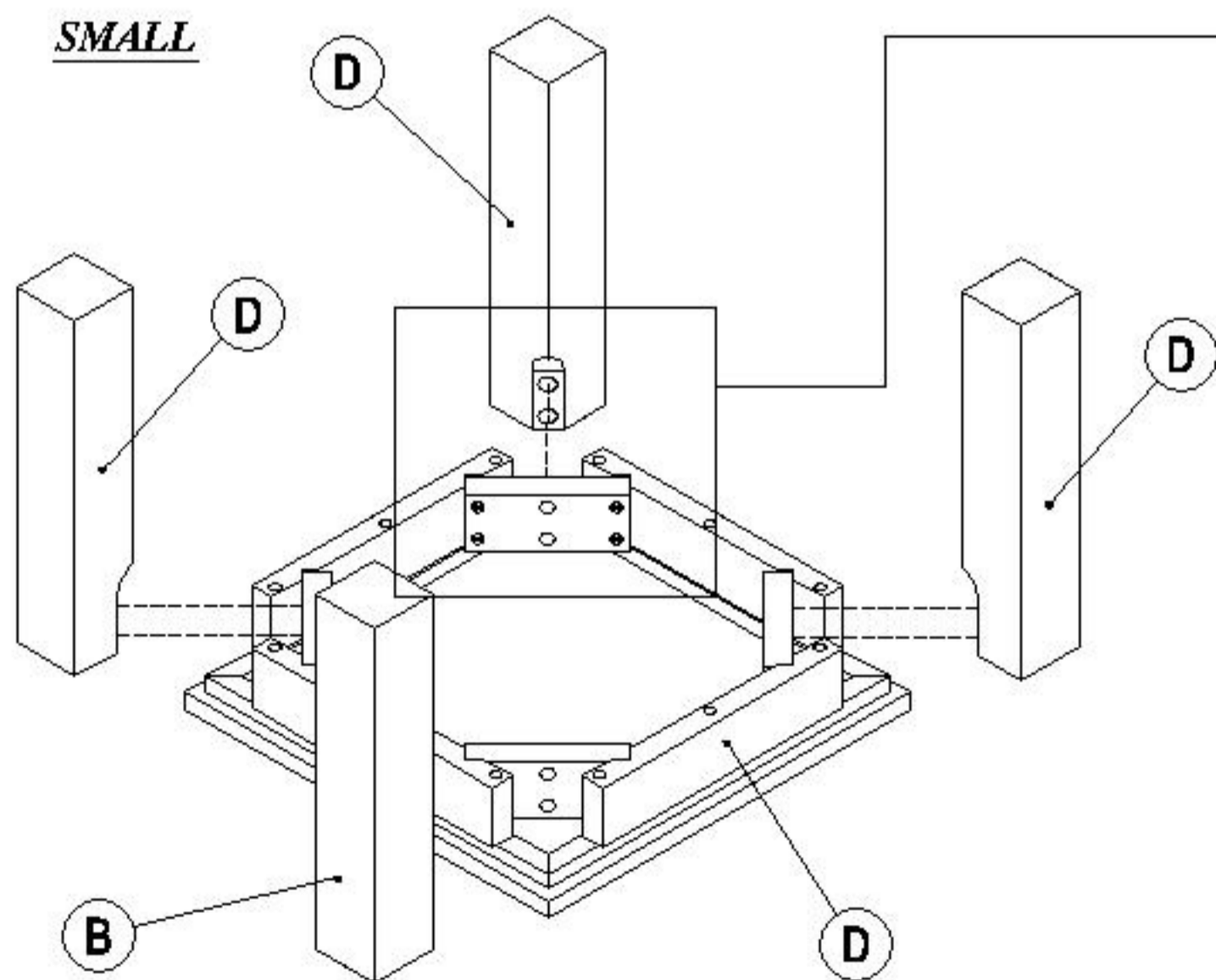
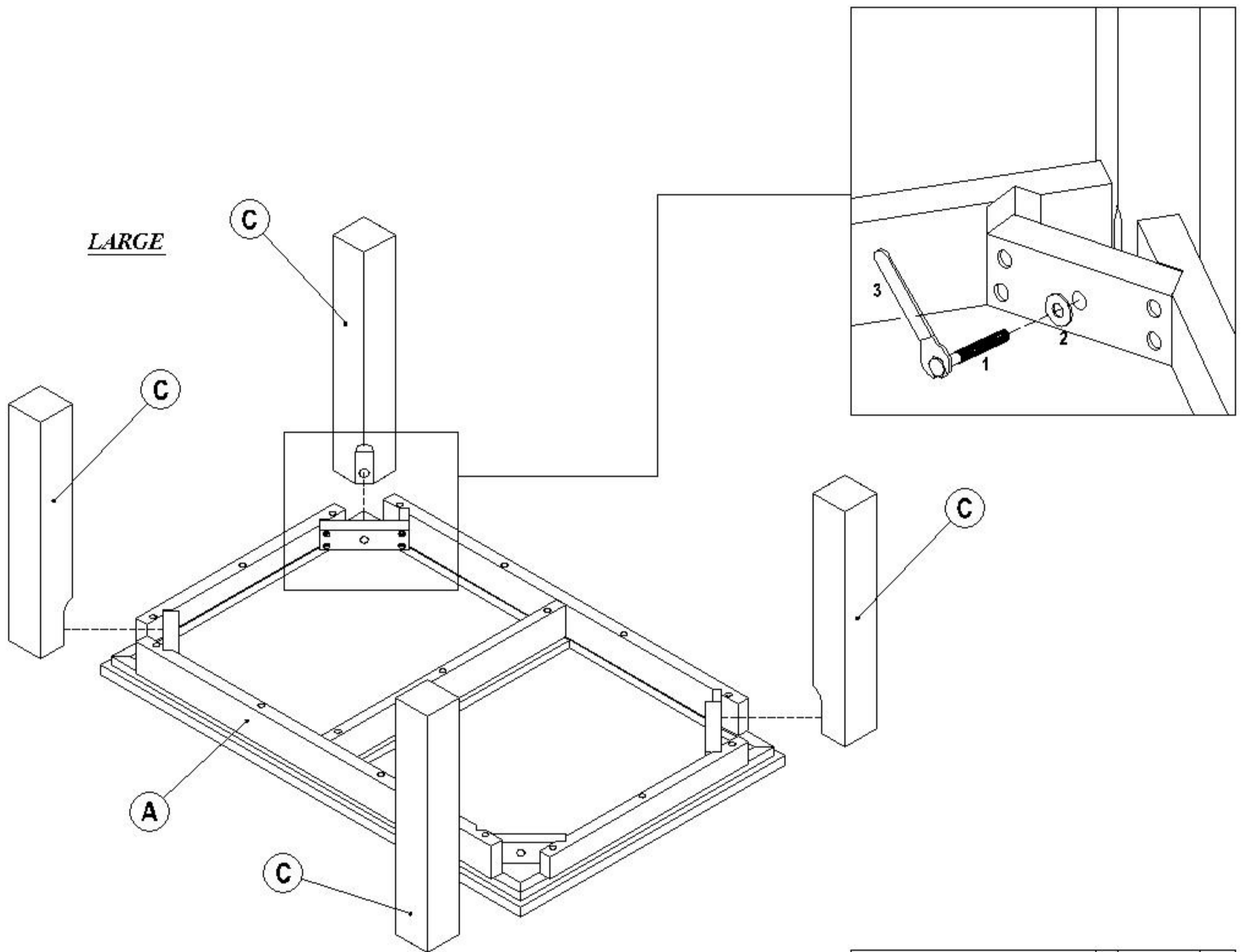
(2) M8x18mm Flat  
Washer - 20 pcs



(3) 13mm Wrench - 1 pc

Note: EXTRA hardware are included

# ALEXIS NEST OF TABLE ASSEMBLY INSTRUCTION



# 1

- (i) Carefully place the **TABLE TOPS (A,B)** on a flat safe surface.  
**NOTE :** Please find a suitable surface to avoid damaging the parts.
- (ii) Attach **LEGS (C,D)** to the **TABLE TOPS (A,B)** using Hexagon Bolts (1) together with Flat Washer (2).
- (iii) Fully tighten Hexagon Bolts (1) with 13mm Wrench (3).