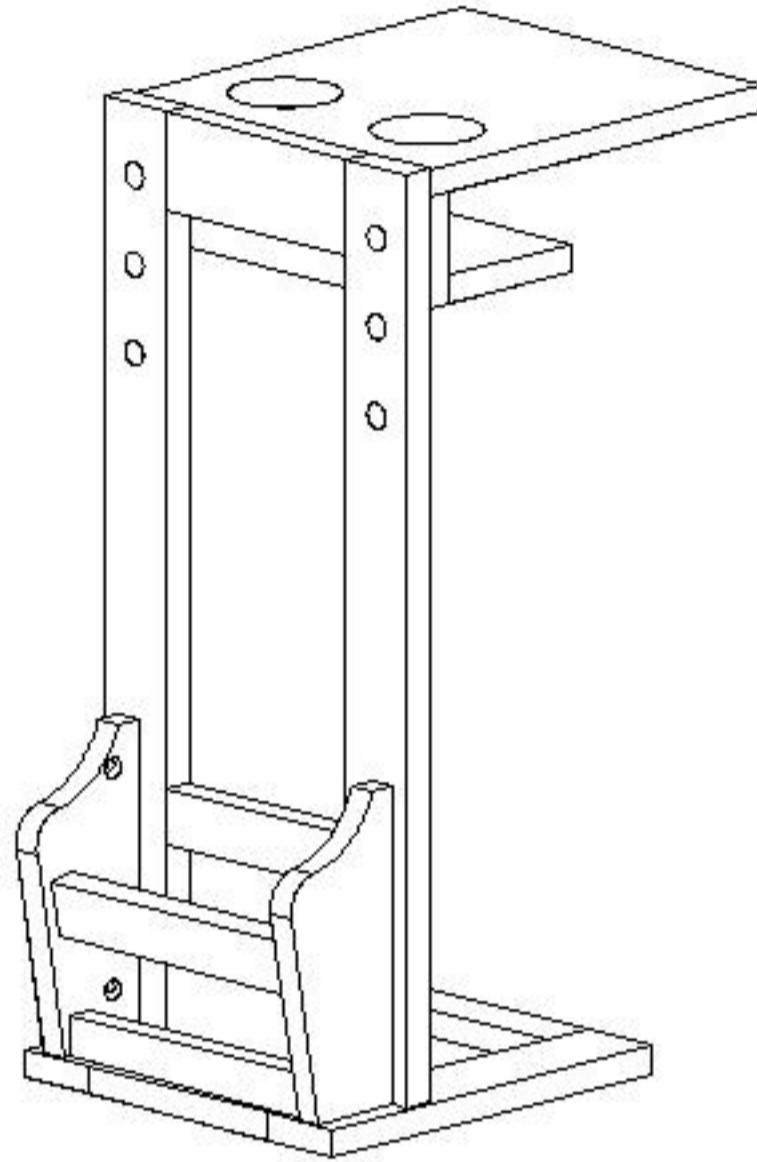


CASCADIA 27" COUCH CADDY

ASSEMBLY INSTRUCTION

Pg.1/3



Thank you for purchasing this quality product. Be sure to check all packing material carefully for small parts that may come loose inside the carton box during shipment.

IMPORTANT

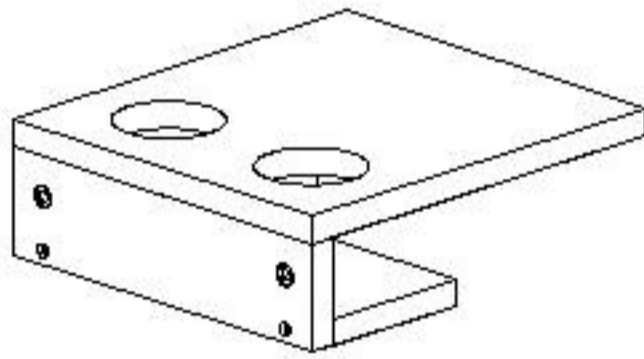
Please go through this assembly instruction before starting assembly. Kindly follow the sequence listed to assure fast, easy and correct assembly.

CARE & MAINTENANCE

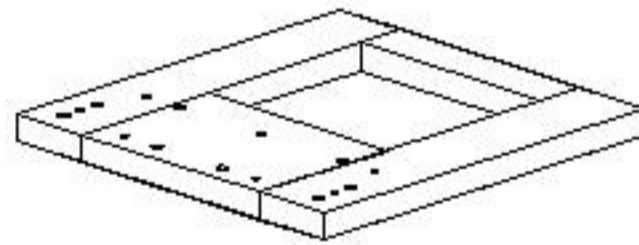
Wipe clean with soft cloth and furniture polish.

MADE IN MALAYSIA

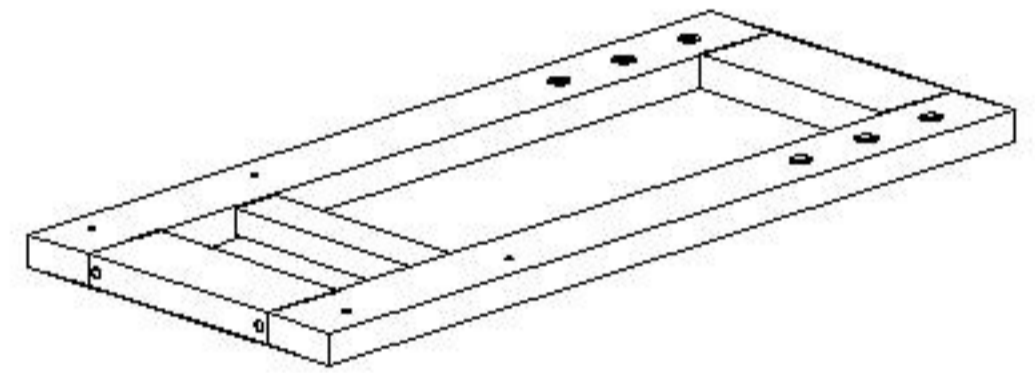
PARTS LIST



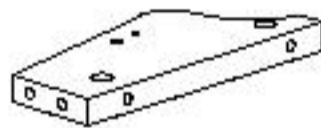
(A)
Top Panel - 1 pc



(B)
Bottom Panel - 1 pc



(C)
Side Panel - 1 pc



(D)
Magazine Rack Side - 2 pcs



(E)
Magazine Rack Rail - 1 pc

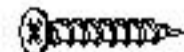


(F)
Magazine Rack Stopper Rail - 1 pc

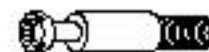
HARDWARE LIST



(1) Wooden Dowel - 10 pcs



(2) M4x30mm Chipboard Screw - 7 pcs



(3) Camlock Screw - 6 pcs



(4) Camlock & Cap - 6 pcs



(5) M8x25mm Cap Screw - 2 pcs



(6) Leg Glide - 4 pcs



(7) 6mm Hex Wrench - 1 pc

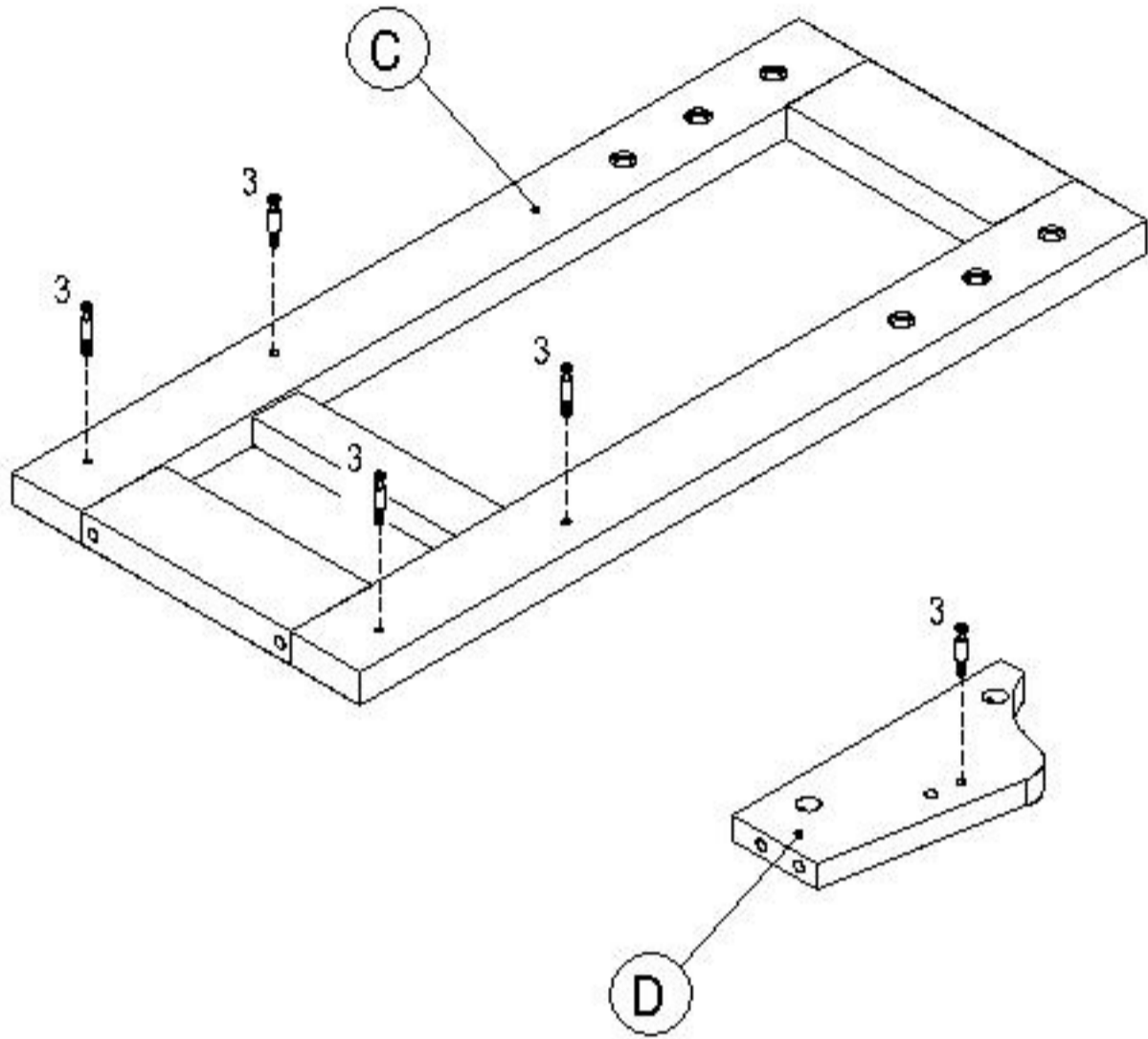


(8) Brown Cap - 6 pcs

Note: EXTRA hardware are included

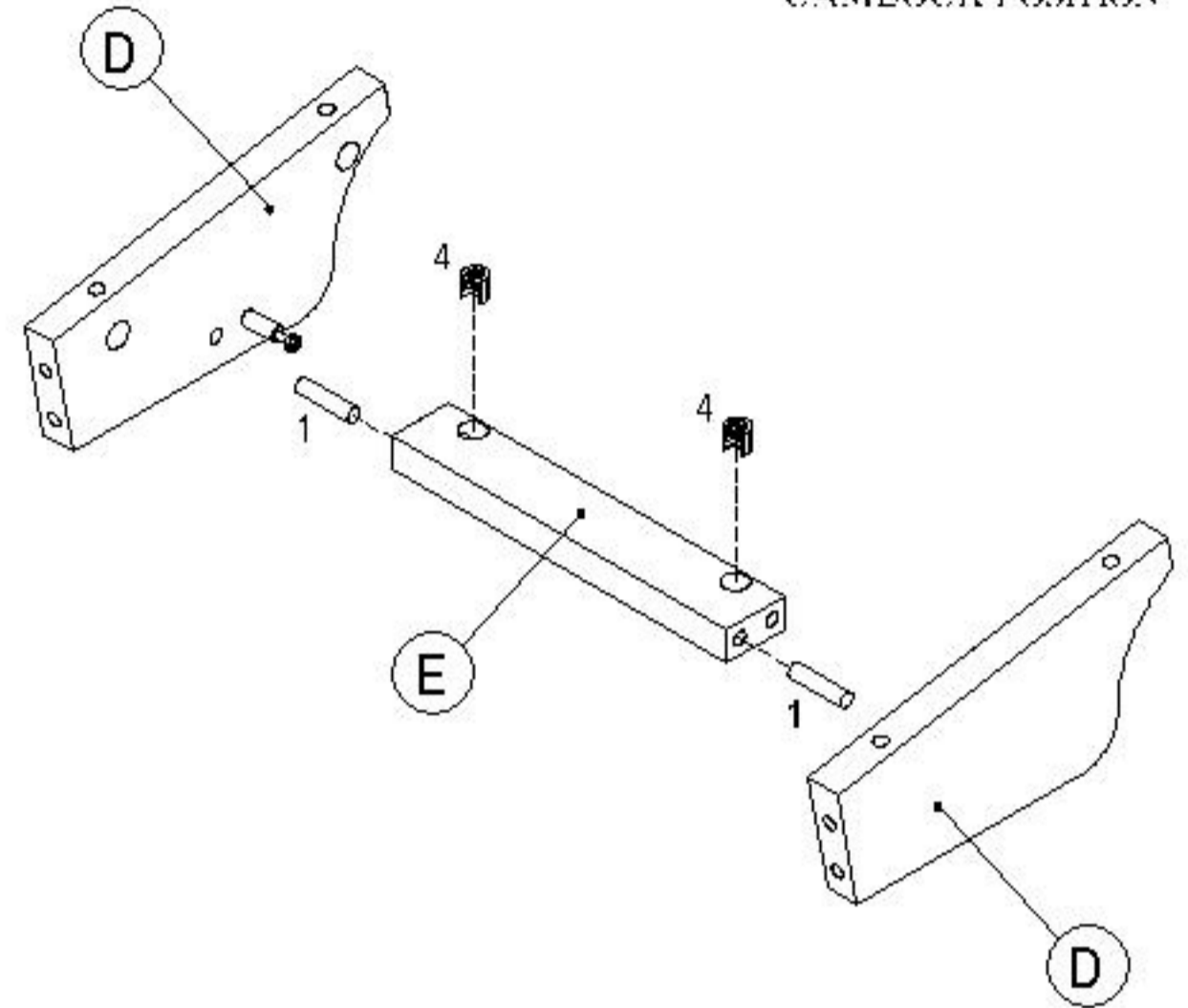
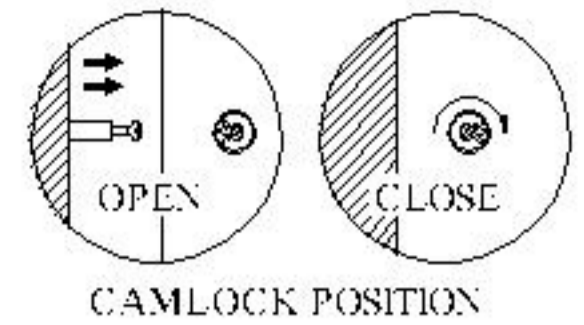
CASCADIA 27" COUCH CADDY

ASSEMBLY INSTRUCTION



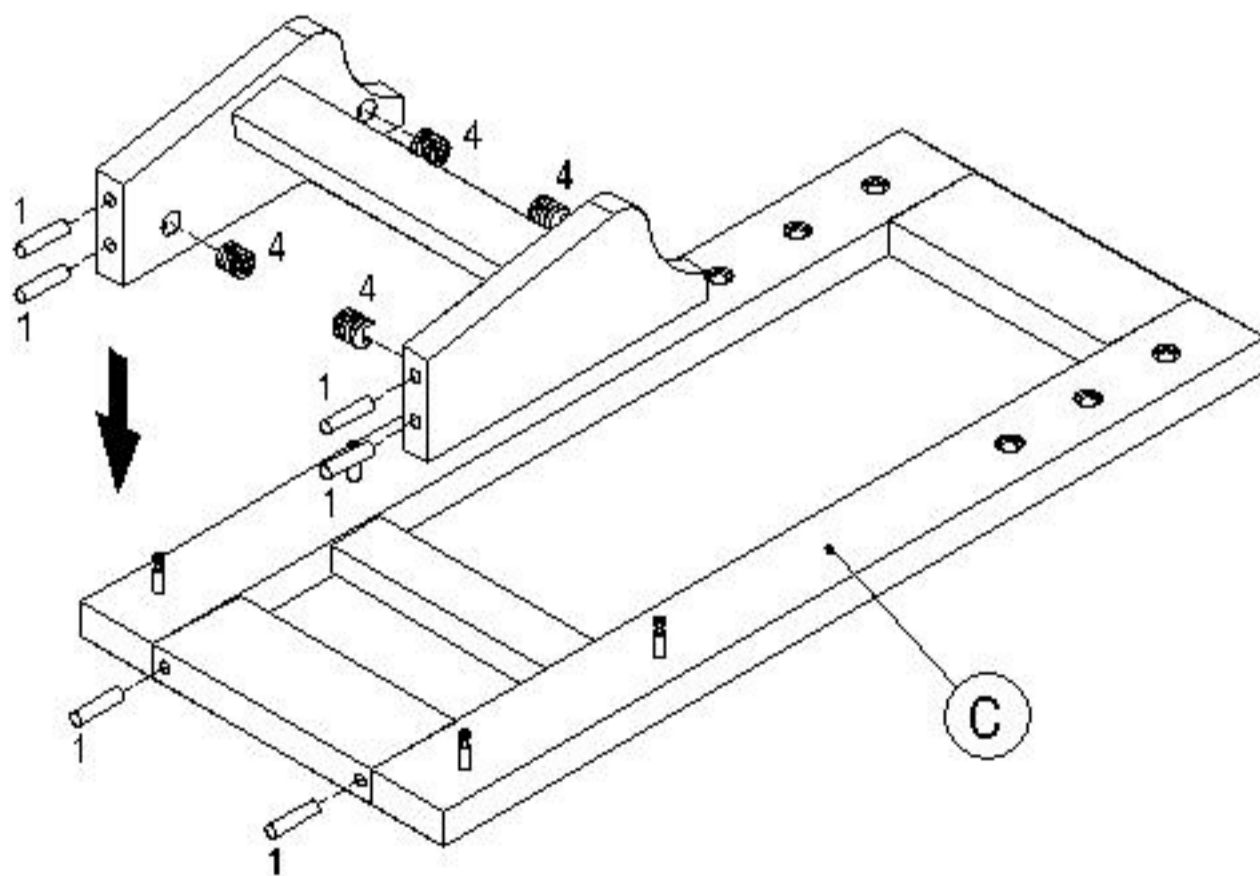
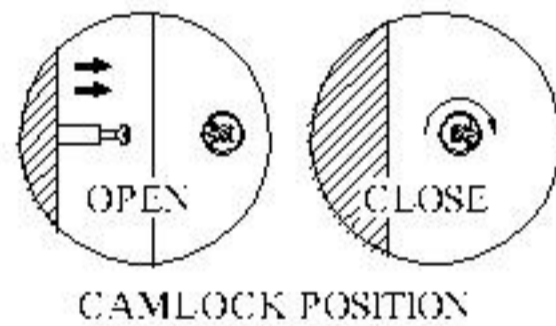
1

Insert Camlock Screw (3) into holes on **SIDE PANEL (C)** & **MAGAZINE RACK SIDE (D)**. Fully tighten Camlock Screw (3) using Philips Head Screwdriver.



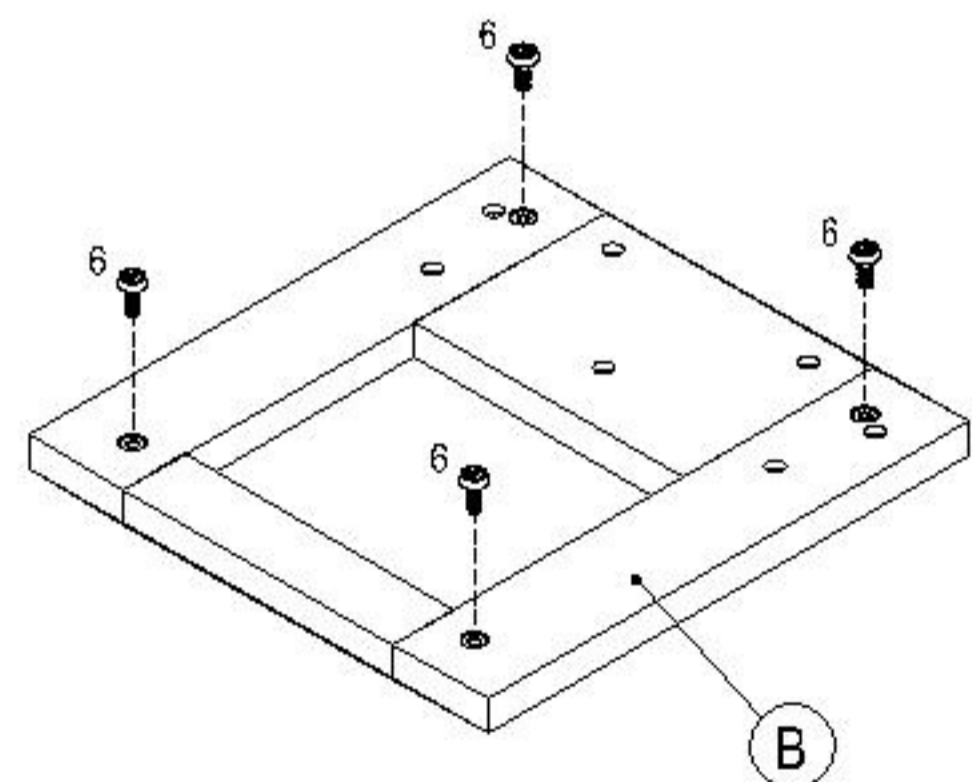
2

- (i) Insert Wooden Dowel (1) into holes at both ends of **MAGAZINE RACK RAIL (E)**.
- (ii) Insert Camlock (4) in open position at **MAGAZINE RACK RAIL (E)**.
- (iii) Attach **MAGAZINE RACK SIDE (D)** to **MAGAZINE RACK RAIL (E)** using guiding dowels.



3

- (i) Insert Wooden Dowel (1) into holes at bottom of **SIDE PANEL (C)** & **MAGAZINE RACK SIDE (D)**.
- (ii) Insert Camlock (4) in open position at **MAGAZINE RACK SIDE (D)**.
- (iii) Attach **MAGAZINE RACK SIDE (D)** to **SIDE PANEL (C)**.
- (iv) Tighten all Camlock (4) to close position using 4mm Hex Wrench.

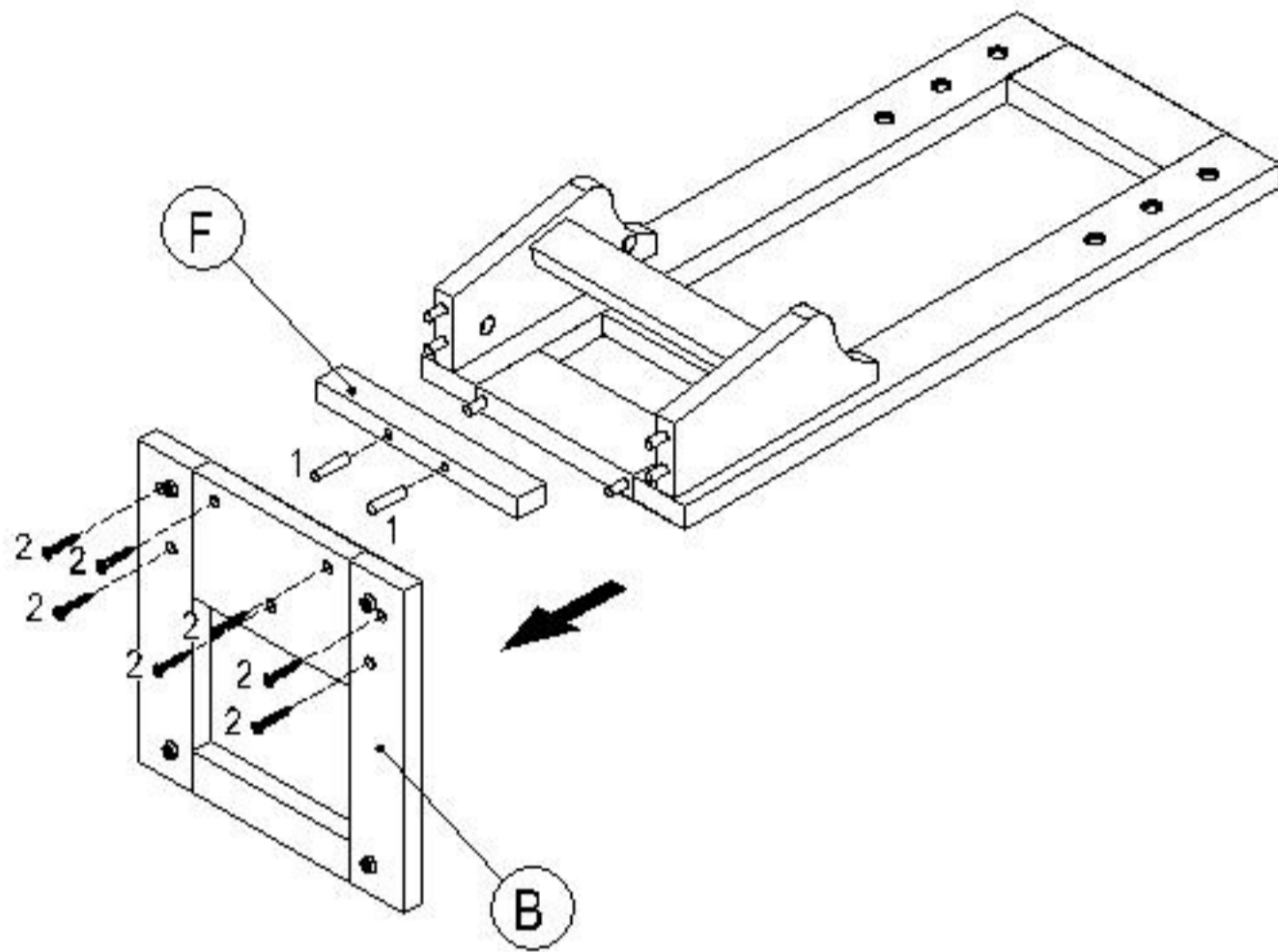


4

Attach Leg Glide (6) to **BOTTOM PANEL (B)**.

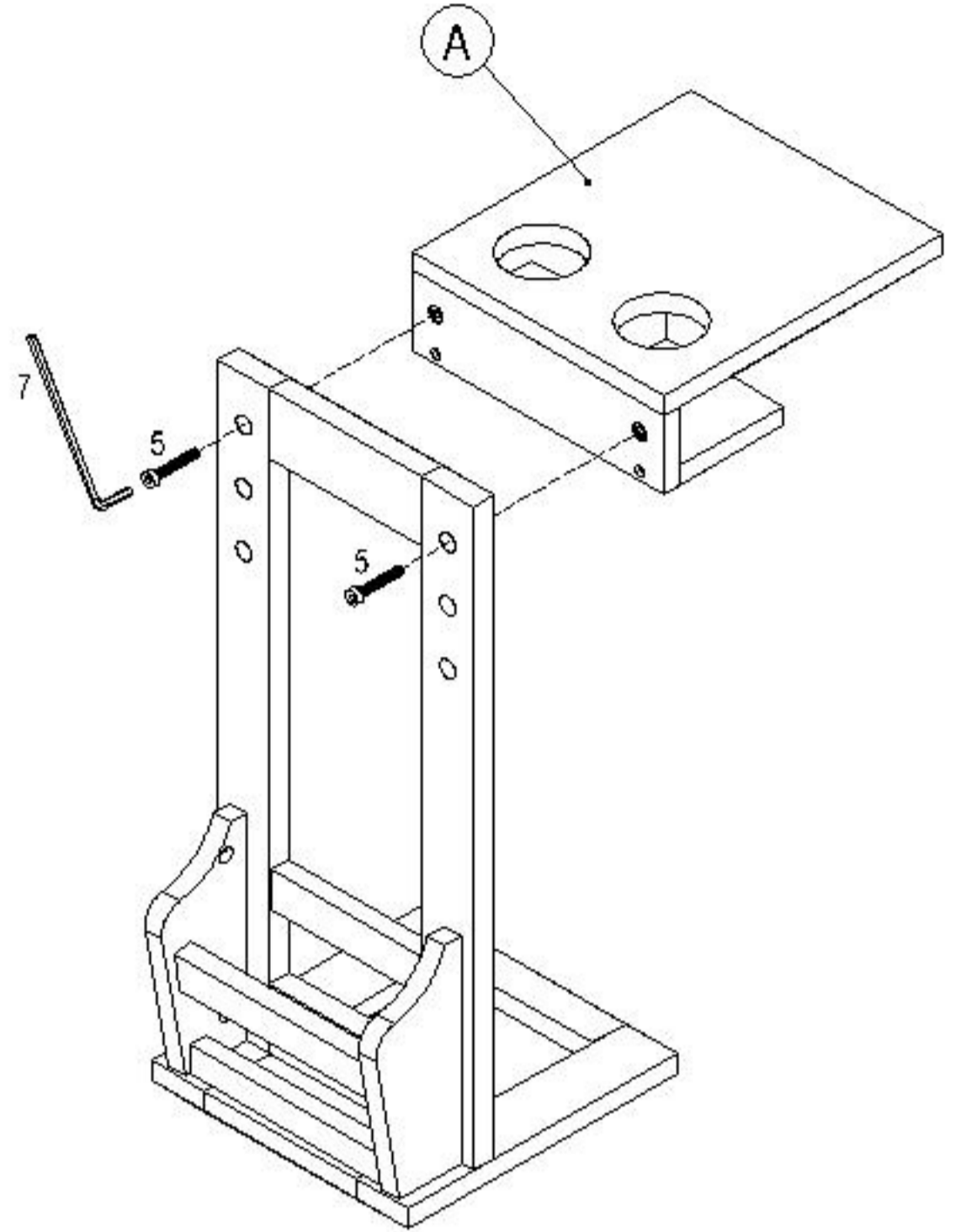
CASCADIA 27" COUCH CADDY

ASSEMBLY INSTRUCTION



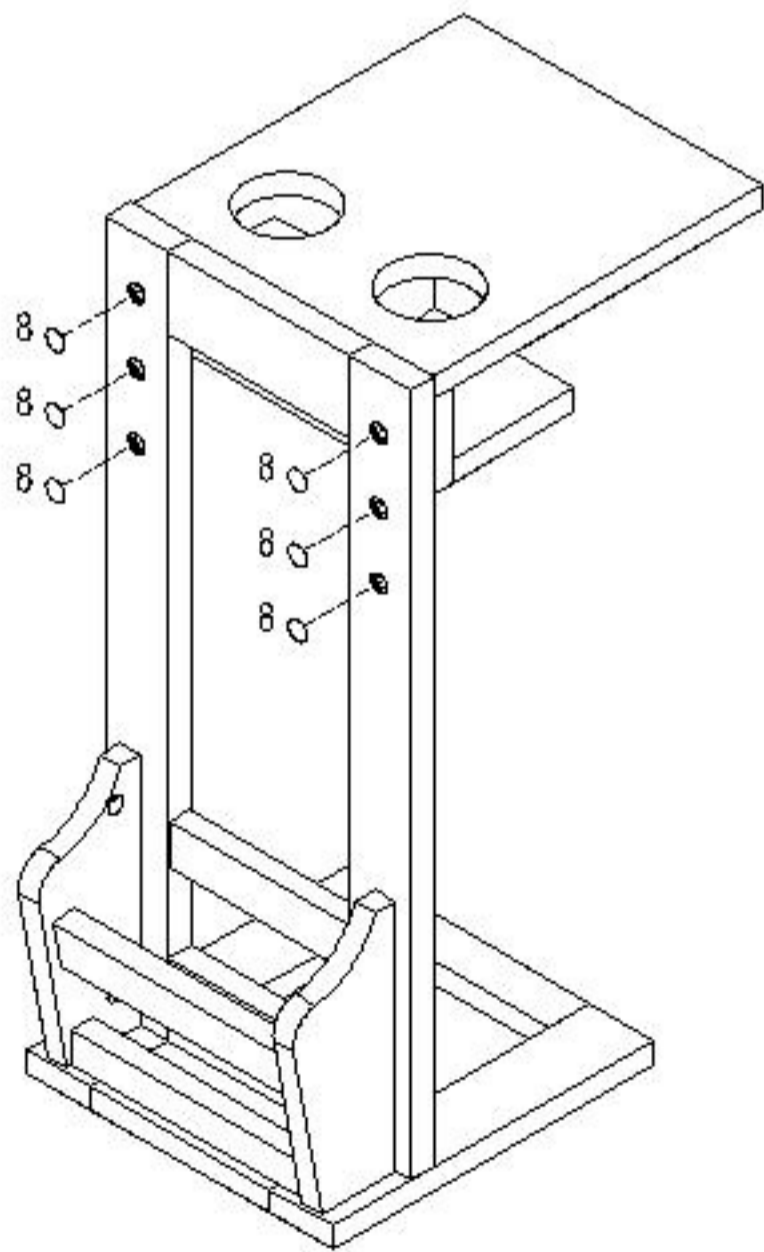
5

- (i) Insert Wooden Dowel (1) into holes at bottom of **MAGAZINE RACK STOPPER RAIL (F)**.
- (ii) Attach **SIDE PANEL (C)**, **MAGAZINE RACK SIDE (D)** & **MAGAZINE RACK STOPPER RAIL (F)** to **BOTTOM PANEL (B)** using guiding dowels.
- (iii) Tighten Chipboard Screw (2) to **BOTTOM PANEL (B)** using Philips Head Screwdriver.



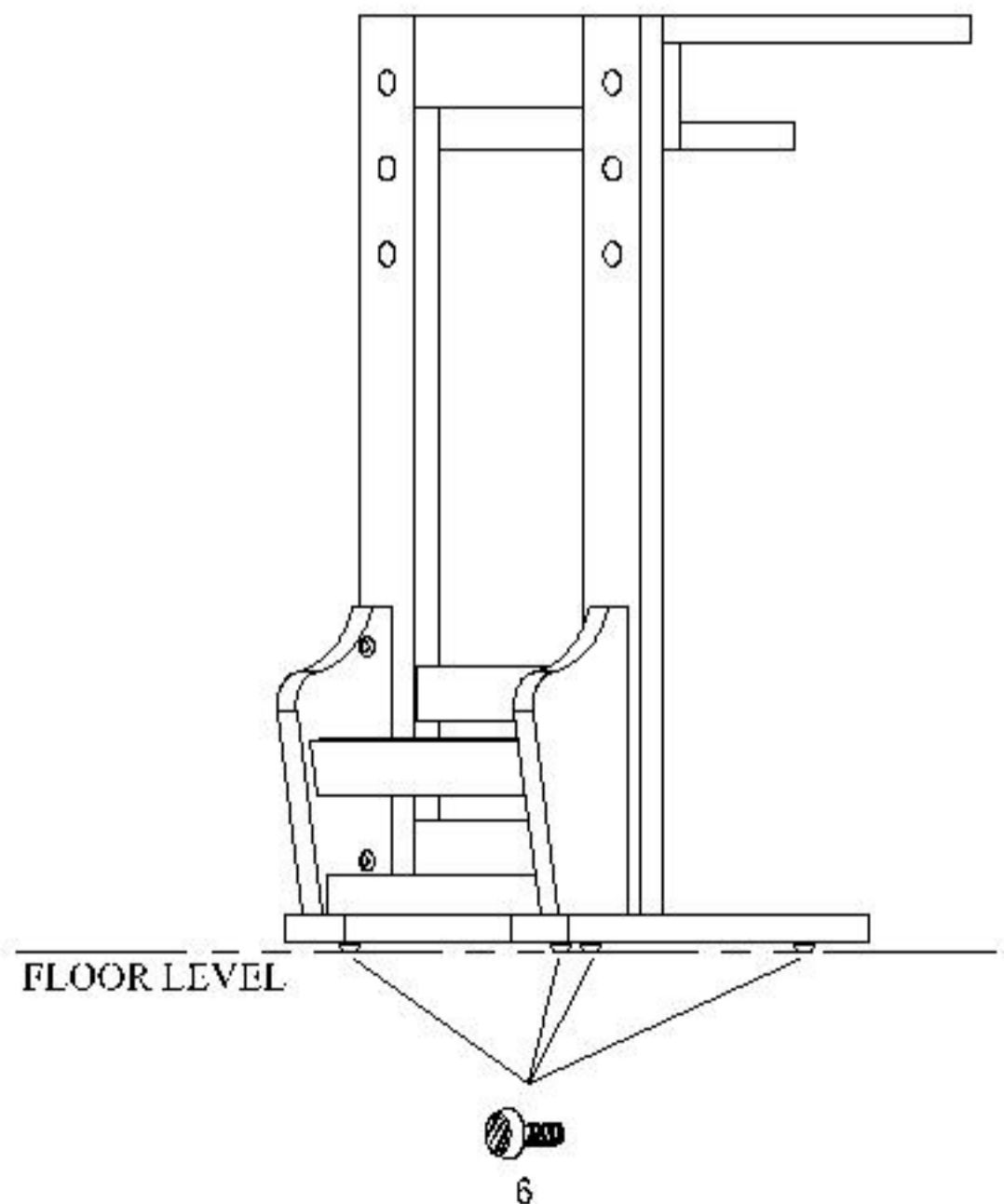
6

- (i) Attach **TOP PANEL (A)** to **SIDE PANEL (C)**.
- (ii) Insert Cap Screw (5) into correct hole position at **SIDE PANEL (C)**, fully tighten the screw using 6mm Hex Wrench (7).



7

Insert Brown Cap (8) into Cap Screw (5) holes at **SIDE PANEL (C)**.



8

For maximum support adjust Leg Glide (6) to level with floor.