

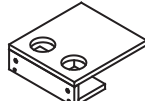
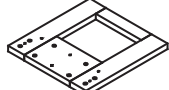
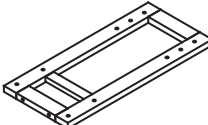


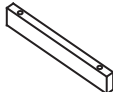


Assembly Instructions

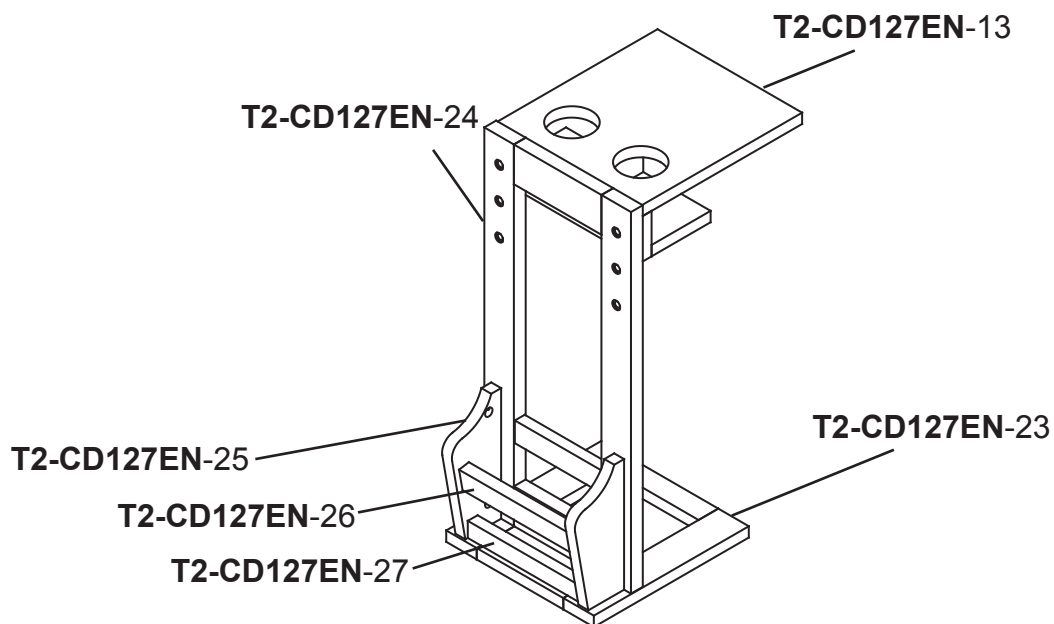
T2-CD127EN-G/P/W/X

QUADRA COUCH CADDY

PARTS LIST

PART NO	FIGURE	DESCRIPTION	QTY
T2-CD127EN-01-1		Hardware Pack #1	1 pce
T2-CD127EN-01-2		Hardware Pack #2	1 pce
T2-CD127EN-13		Top Panel	1 pce
T2-CD127EN-23		Bottom Panel	1 pce
T2-CD127EN-24		Side Panel	1 pce
T2-CD127EN-25		Magazine Rack Side	2 pcs
T2-CD127EN-26		Magazine Rack Rail	1 pce
T2-CD127EN-27		Magazine Rack Stopper Rail	1 pce

IMPORTANT NOTE : Please keep all hardware parts out of the reach of children.




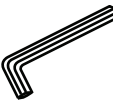





Assembly Instructions

T2-CD127EN-G/P/W/X
QUADRA COUCH CADDY

Reminders :

- Two people are needed for assembly.
- Use only hardware supplied.
- Do not over tighten bolts.
- This item may require periodic tightening.

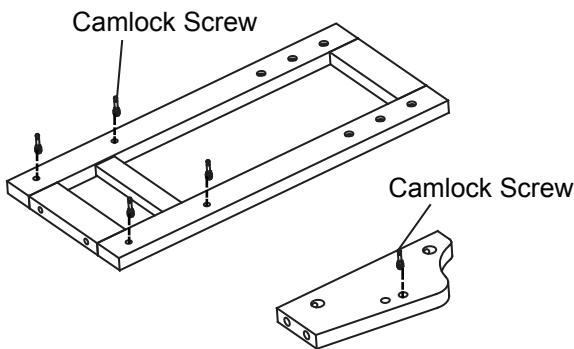
HARDWARE PART :

						
JCBC Bolt 2 pcs	Allen Key 1 pce	Pan Head Screw 6 pcs	Camlock Screw 6 pcs	Camlock 6 pcs	Wood Dowel 8 pcs	Wood Button 6 pcs

ASSEMBLY :

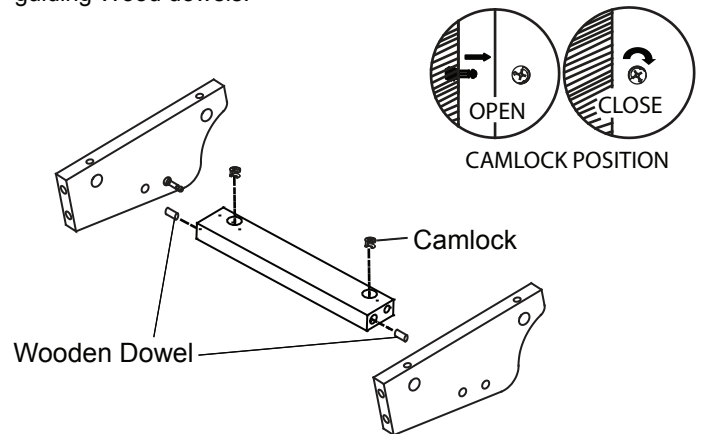
STEP 1

Insert Camlock Screw into holes on Side Panel and Magazine Rack Side. Fully tighten Camlock Screw using Screwdriver (Not Provided).



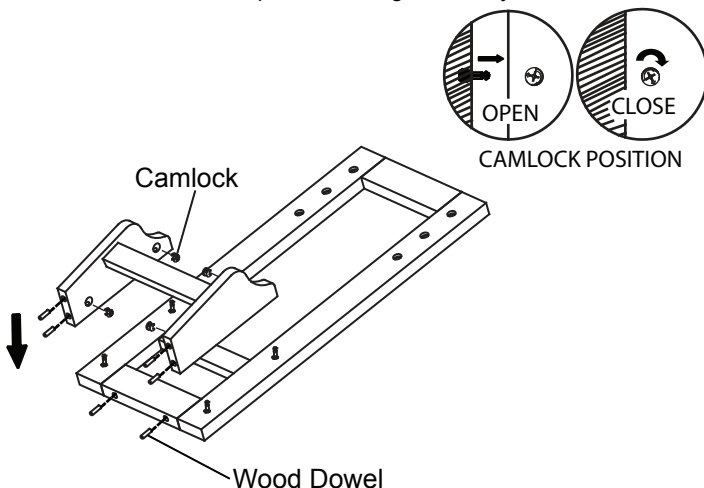
STEP 2

- Insert Wood Dowel into holes at both end of Magazine Rack Rail.
- Insert Camlock Screw in open position at Magazine Rack Rail.
- Attach Magazine Rack Side to Magazine Rack Rail using guiding Wood dowels.



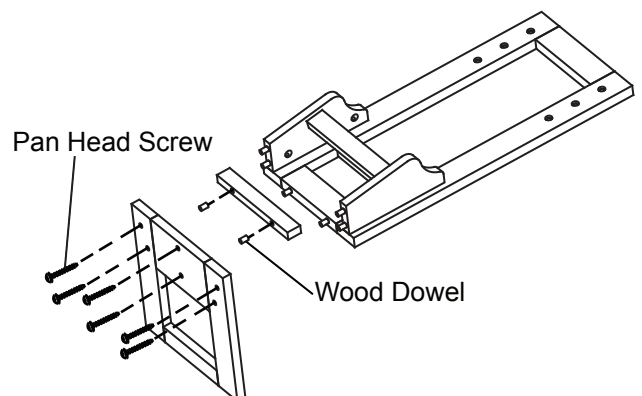
STEP 3

- Insert Wood Dowel into holes bottom of Side Panel and Magazine Rack Side.
- Insert Camlock in open position at Magazine Rack Side.
- Attach Magazine Rack Side to the Side Panel and tighten all Camlock to close position using Allen Key.



STEP 4

- Insert Wood Dowel into holes at bottom of Magazine Rack Stopper Rail.
- Attach Side Panel, Magazine Rack Side and Magazine Rack Stopper Rail to the Bottom Panel using guiding Wood dowels.
- Tighten Pan Head Screw to Bottom Panel using Screwdriver (Not Provided).



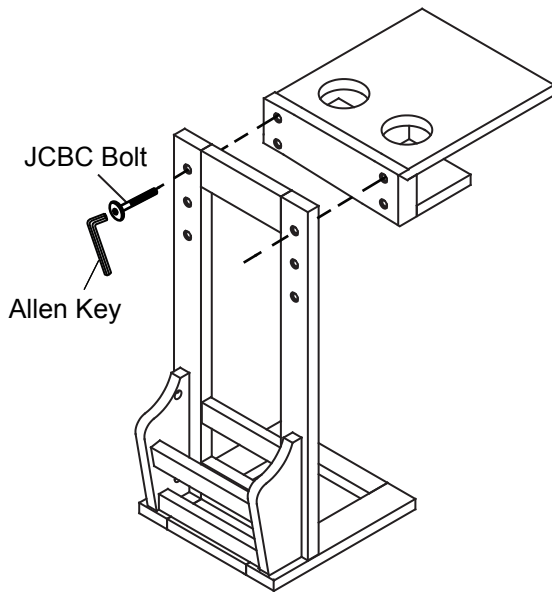
Assembly Instructions

T2-CD127EN-G/P/W/X

QUADRA COUCH CADDY

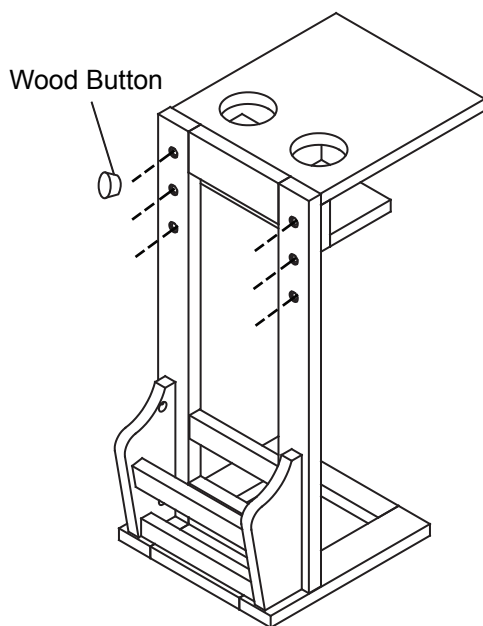
STEP 5

- i) Attach Top Panel to Side Panel
- ii) insert Cap Screw into correct hole position at Side Panel.
Fully tighten the screw using form Hex Wrench.



STEP 6

Insert Wood Button into Cap Screw holes at Side Panel.



IMPORTANT NOTE :

~ Please keep all hardware out of the reach of children.

CARE INSTRUCTION

- ~ Be sure to use the same type of polish consistently.
Your furniture will appear cloudy or streaky if oil based or wax based polishes are interchanged.
- ~ Spray your furniture surface evenly. Wipe in a circular motion with a soft clean cloth.