


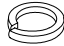

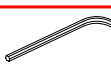

ASSEMBLY INSTRUCTIONS

MODEL : T2-EL100C- -O

IMPORTANT NOTE :

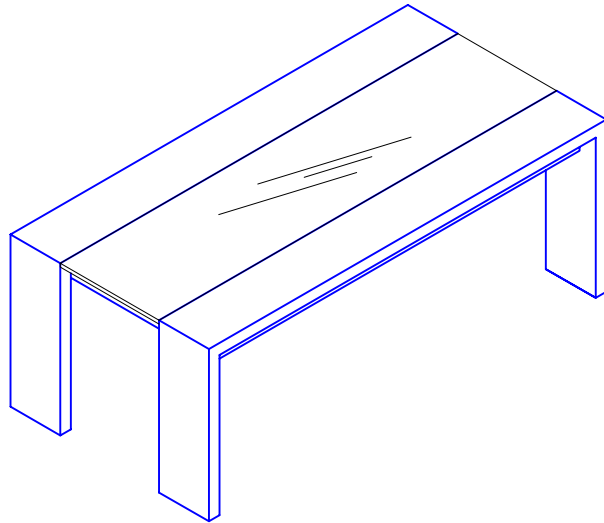
- * PLACE ALL WOODEN PARTS ON A CLEAN AND SMOOTH SUCH AS A RUG OR CARPET TO AVOID THE PARTS FROM BEING SCRATCHED.
- * BEFORE YOU BEING, KINDLY FOLLOW THE ASSEMBLY INSTRUCTIONS STEP BY STEP.

HARDWARE LIST

A	JCBB SCREW M8 X 40mm 	8PCS
B	SPRING WASHER 5/16" 	8PCS
C	FLAT WASHER 5/16" 	8PCS
D	ALLEN KEY M5 	1PC
E	PLASTIC SCOLL 	4PCS

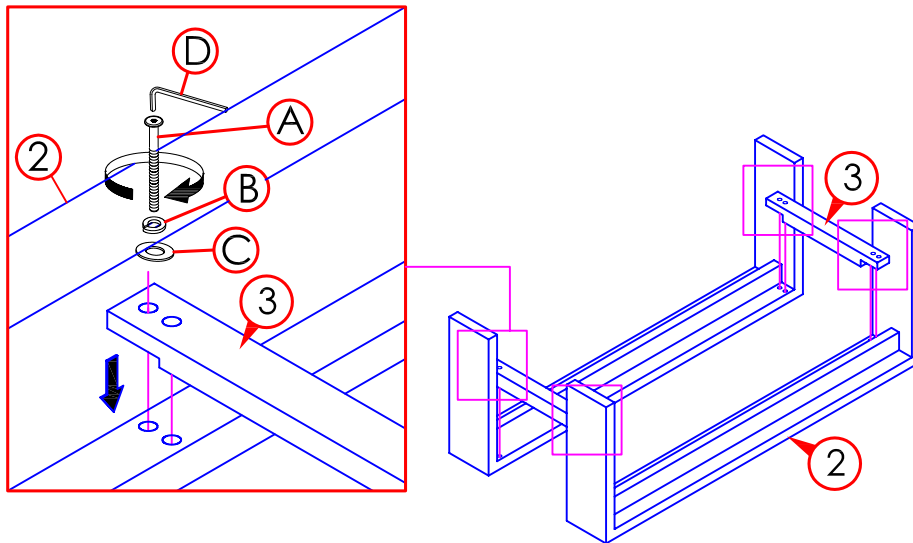
PART LIST

1	GLASS TABLE TOP	1PC
2	TABLE LEG	2PCS
3	TABLE TOP SUPPORTER	2PCS



COMPLETED TABLE ASSEMBLY.

STEP 1



STEP 2

