

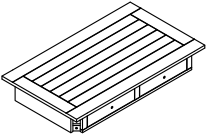

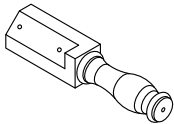

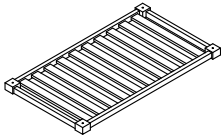

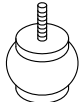

# WINNERS ONLY INC. ASSEMBLY INSTRUCTIONS

**Reminders**

1. Use only the hardware supplied.
2. Do not over-tighten bolts.
3. This item may require periodic tightening.

**ITEM NO : T2-GE100C--O**

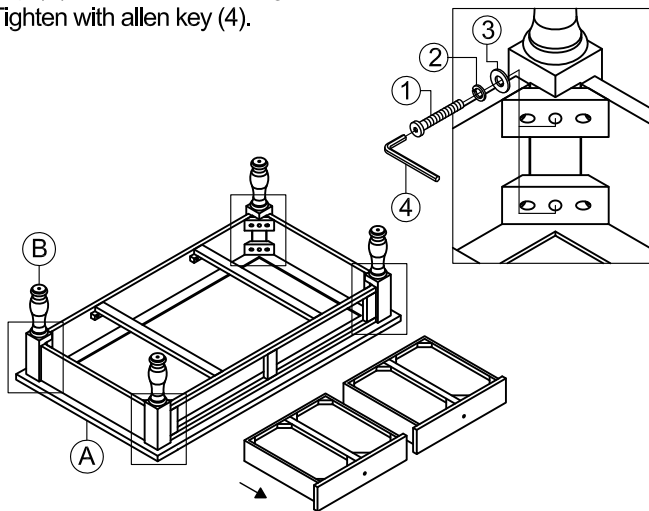
**Hardware List :**

COMPONENTS LIST			QTY	NO	DESCRIPTION	SIZE	SKETCH	QTY
A	Table Top		1pc	1	Long Bolt	Ø1/4"x 57mm		8pcs
B	Table Legs		4pcs	2	Spring Washer	Ø5/16"x 12mm		8pcs
C	Fixed Shelf		1pc	3	Flat Washer	Ø5/16"x 19mm		8pcs
D	Bun Foot		4pcs	4	Allen Key	58x 23x 4mm		1pc

**Note:** two or more people are needed for assembly. Please keep all hardware parts out of the reach of children.

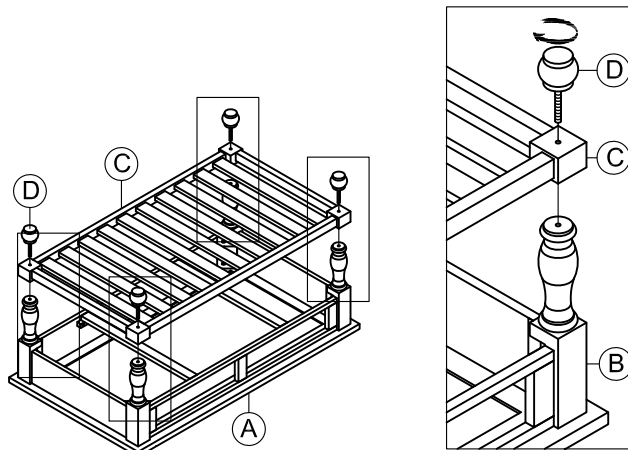
**STEP 1:**

Place Table Top (A) flat down on a soft surface such as a carpet. Pull the drawer completely out of the unit. Use long bolt (1), spring washer (2), flat washer (3) to attach four Legs (B), to Table Top (A) as shown in the diagram. Tighten with allen key (4).



**STEP 2:**

Place the Fixed Shelf (C) onto the Table Leg (B), align with the Pre-drilled holes of the Table Leg (B). Attach the Bun Foot (D) onto the Fixed Shelf (C) through the holes of the Fixed Shelf. Turn the Bun Foot (D) clockwise until the feet are tightened as picture shown.



**STEP 3:**

Turn the table to up right position and install the drawer back in. Assembly is now complete. Thank you for your purchase.

