

WINNERS

ONLY INC.

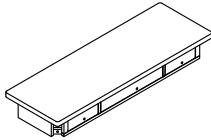

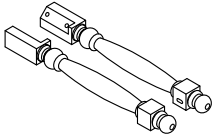

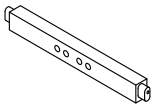

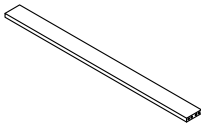

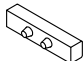
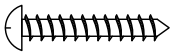
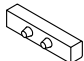

ASSEMBLY INSTRUCTIONS

Reminders

1. Use only the hardware supplied.
2. Do not over-tighten bolts.
3. This item may require periodic tightening.

ITEM NO : T2-HK100S--X

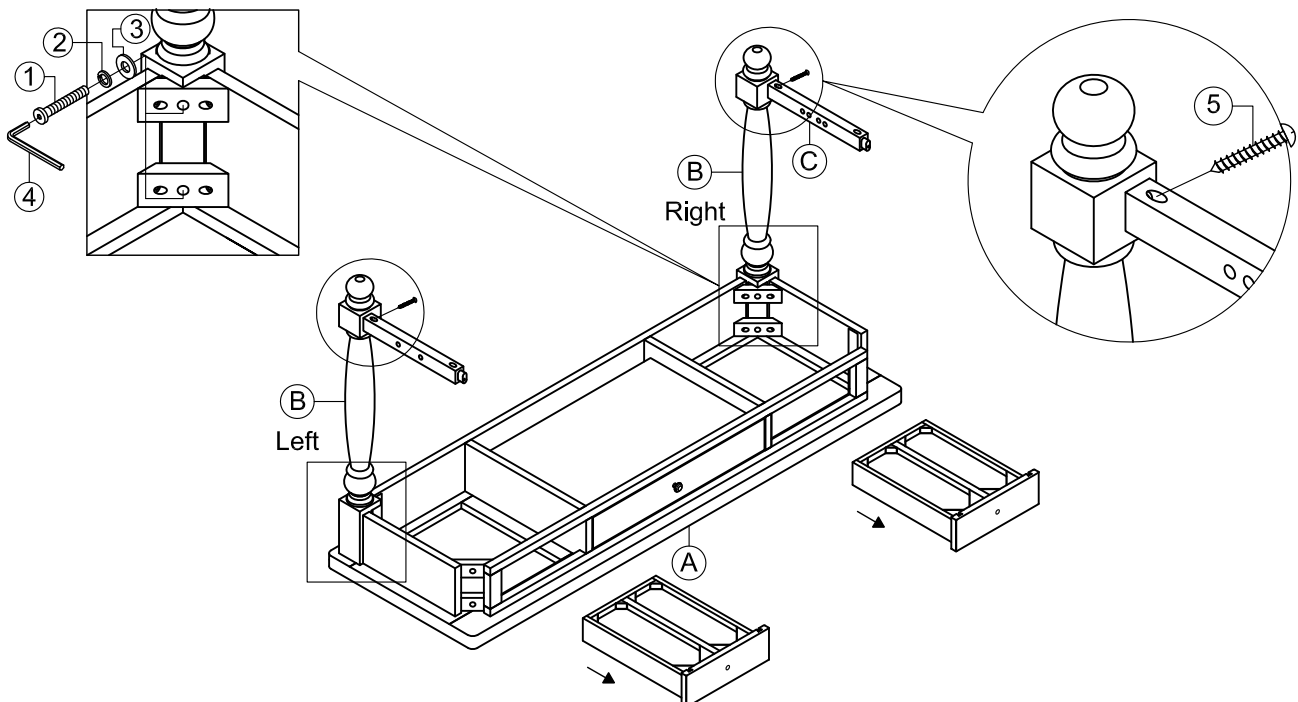
Hardware List :

COMPONENTS LIST			QTY	NO	DESCRIPTION	SIZE	SKETCH	QTY
A	Table Top		1pc	1	Long Bolt	Ø1/4"x 57mm		12pcs
B	Table Legs Left- Right		4pcs	2	Spring Washer	Ø5/16"x 12mm		12pcs
C	Side Stretcher		2pcs	3	Flat Washer	Ø5/16"x 19mm		8pcs
D	Bottom Rail		1pc	4	Allen Key	58x 23x 4mm		1pc
E	Cap		2pcs	5	Screw	Ø8x 4x 50mm		4pcs
E	Cap		2pcs	6	Small Washer	Ø1/4"x 12mm		4pcs

Note: two or more people are needed for assembly. Please keep all hardware parts out of the reach of children.

STEP 1:

Place Table Top (A) flat down on a soft surface such as a carpet. Pull the small side drawers completely out of the unit. Use long bolt (1), spring washer (2), flat washer (3) to attach two Legs (B), to Table Top (A) as shown in the diagram tighten with allen key (4) and Side Stretcher (C), screw (5).



WINNERS

ONLY INC.

ASSEMBLY INSTRUCTIONS

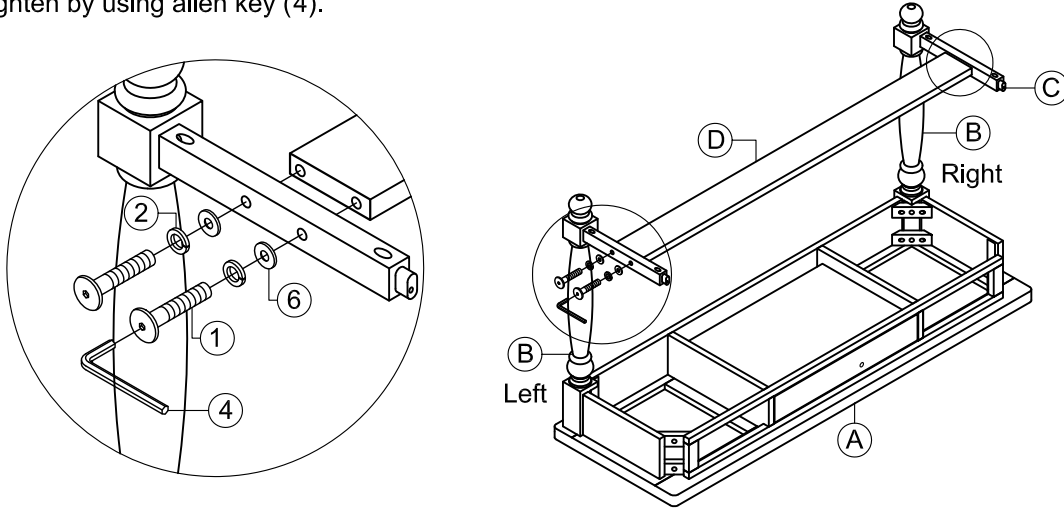
Reminders

1. Use only the hardware supplied.
2. Do not over-tighten bolts.
3. This item may require periodic tightening.

ITEM NO : T2-HK100S--X

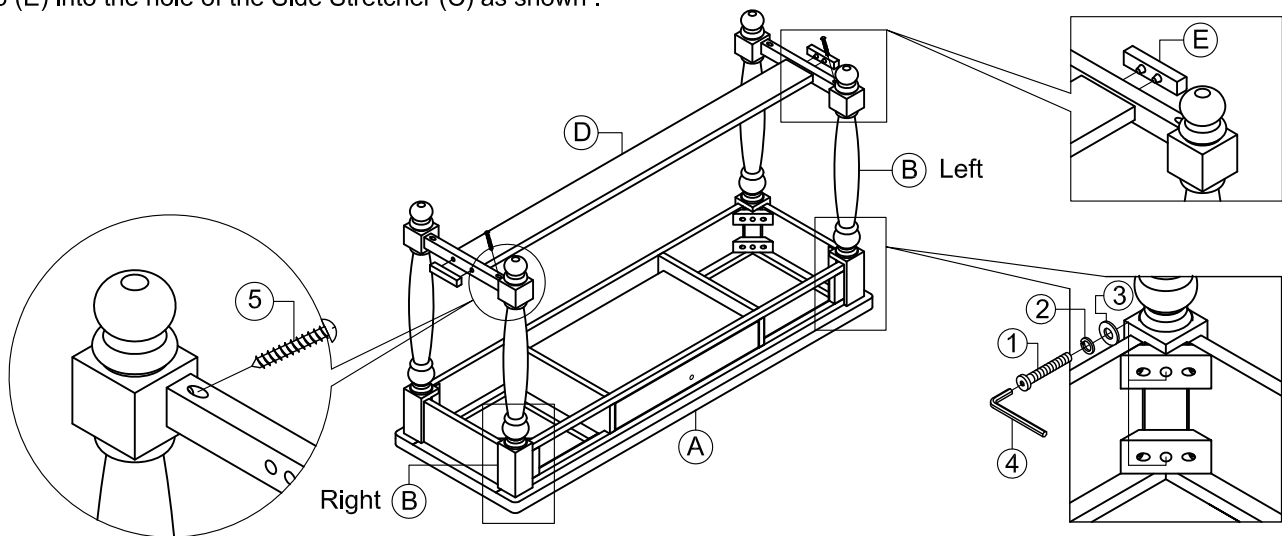
STEP 2:

Attach Bottom Rail (D) to the Side Stretcher (C), insert long bolts (1), spring washers (2), small washers (6), tighten by using allen key (4).



STEP 3:

Attach Table Legs Left-Right (B) to the Table Top (A), using long bolts (1), spring washers (2), flat washers (3), tighten by using allen key (4). Attach Side Stretcher (C) to the Table Legs Left-Right (B) using screw (5) and put Cap (E) into the hole of the Side Stretcher (C) as shown.



STEP 4:

Turn the table to up right position and install the drawers back in. Assembly is now complete. Thank you for your purchase.

