

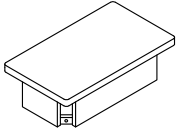

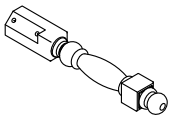

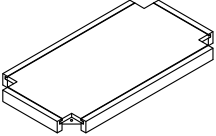


WINNERS ONLY INC. ASSEMBLY INSTRUCTIONS

Reminders

1. Use only the hardware supplied.
2. Do not over-tighten bolts.
3. This item may require periodic tightening.

ITEM NO : T2-HK101E- X

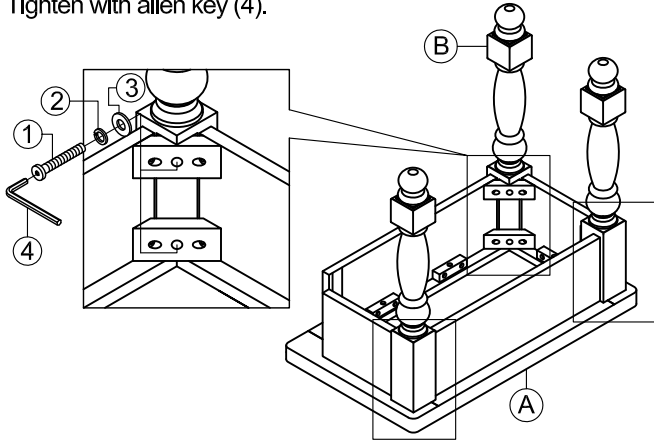
Hardware List :

COMPONENTS LIST			QTY	NO	DESCRIPTION	SIZE	SKETCH	QTY
A	Table Top		1pc	1	Long Bolt	Ø1/4"x 57mm		12pcs
B	Table Legs		4pcs	2	Spring Washer	Ø5/16"x 12mm		12pcs
C	Bottom Shelf		1pc	3	Flat Washer	Ø5/16"x 19mm		12pcs
				4	Allen Key	58x 23x 4mm		1pc

Note: two or more people are needed for assembly. Please keep all hardware parts out of the reach of children.

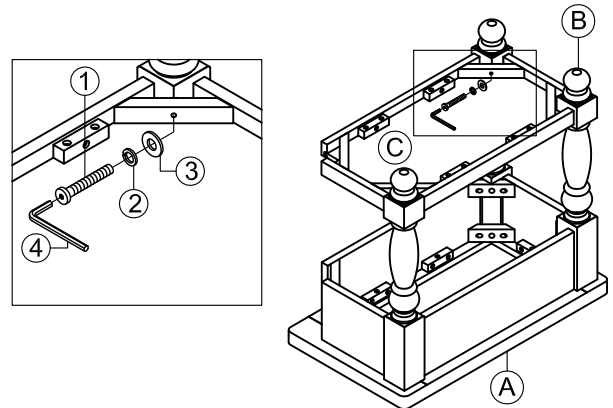
STEP 1:

Place Table Top (A) flat down on a soft surface such as a carpet. Use long bolt (1), spring washer (2), flat washer (3) to attach three Legs (B), to Table Top (A) as shown in the diagram. Tighten with allen key (4).



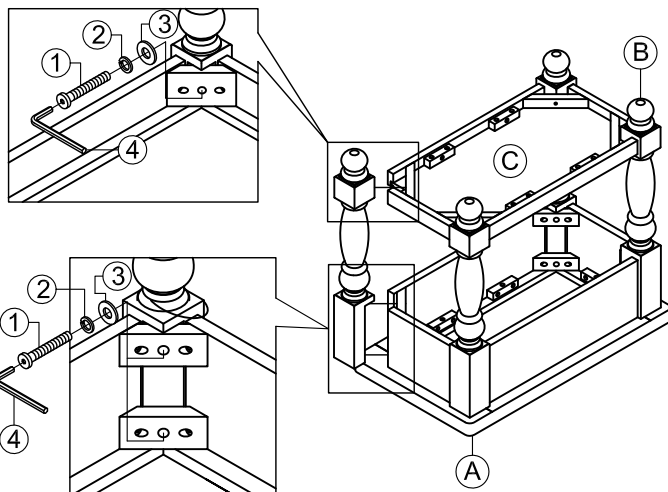
STEP 2:

Use long bolt (1), spring washer (2), flat washer (3) to attach the Bottom Shelf (C) to Legs (B). Tighten with allen key (4) .



STEP 3:

Attach the last Leg (B) to the Table Top (A), by using long bolt (1), spring washer (2), flat washer (3). Attach the last Leg (B) to Bottom Shelf (C) by using long bolt (1), spring washer (2), flat washer (3). Tighten with allen key (4).



STEP 4:

Turn the table to up right position. Assembly is now complete. Thank you for your purchase.

