



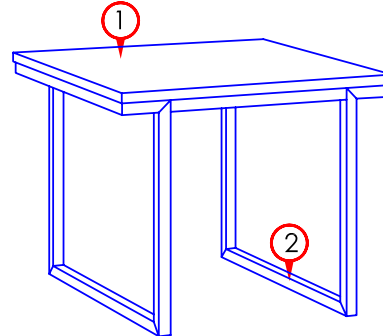
# ASSEMBLY INSTRUCTIONS

MODEL : T2-HW101E- -W

## IMPORTANT NOTE :

- \* PLACE ALL WOODEN PARTS ON A CLEAN AND SMOOTH SUCH AD A RUG OR CARPET TO AVOID THE PARTS FROM BEING SCRATCHED.
- \* BEFORE YOU BEING, KINDLY FOLLOW THE ASSEMBLY INSTRUCTIONS STEP BY STEP.

HARDWARE LIST		
A	JCBC SCREW M6 x 16mm 	10 PCS
B	ALLEN KEY M4 	1PC
PART LIST		
1	TABLE TOP	1PC
2	TABLE LEG	2PCS

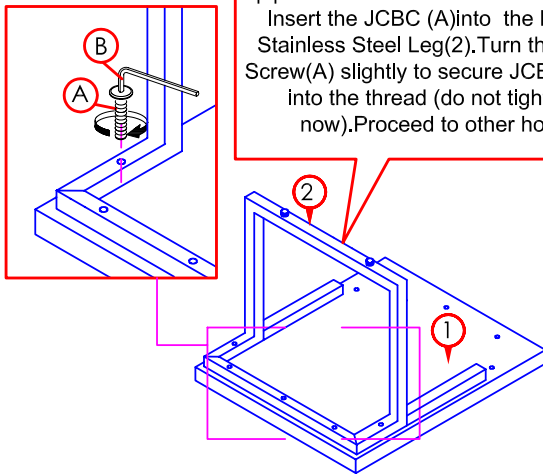


COMPLETED TABLE ASSEMBLY.

## STEP 1

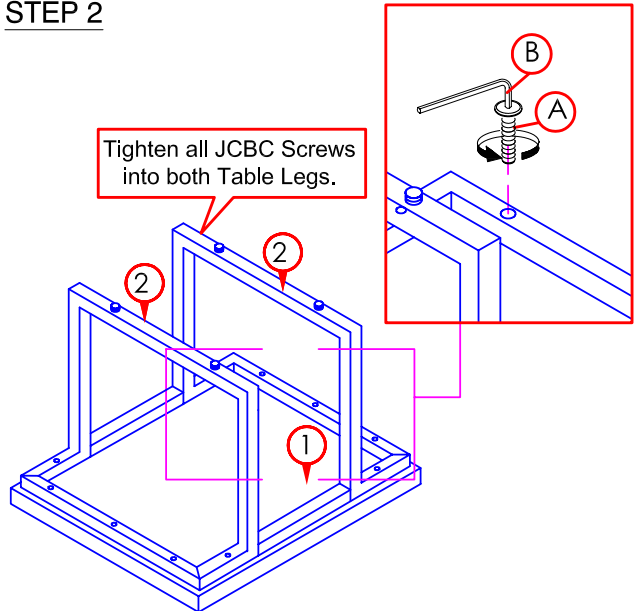
### IMPORTANT!!!

Attach JCBC Screw(A) to Allen Key(B). Make sure the Allen Key(B) is holding JCBC Screw(A) firmly to avoid the JCBC Screw(A) from dropping into the hollow pipe section of Stainless Steel Leg(2). Insert the JCBC (A) into the hole on Stainless Steel Leg(2). Turn the JCBC Screw(A) slightly to secure JCBC Screw into the thread (do not tighten it now). Proceed to other holes.



## STEP 2

Tighten all JCBC Screws into both Table Legs.



## STEP 3

Repeat Step 1 on the other Table Leg.

