

**Caution: Two people are recommended for assembly.**

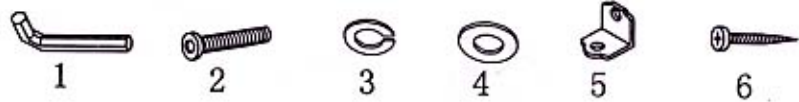
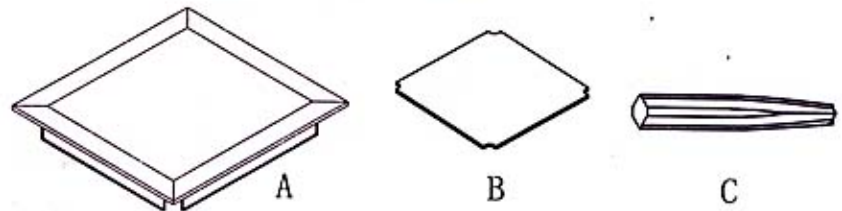
## AM186E Assembly Instructions

### Components List:

- A. Table Top ..... 1 pc
- B. Bottom Shelf ..... 1 pc
- C. Legs ..... 4 pcs

### Hardware List:

- 1. Allen Wrench .... 1 pc
- 2. Bolt ..... 4 pcs
- 3. Spring Washer .... 4 pcs
- 4. Flat washer ..... 4 pcs
- 5. Metal Bracket .... 4 pcs
- 6. Screw ..... 8 pcs



NOTE: Hardware pack is located on back of table Top (A)

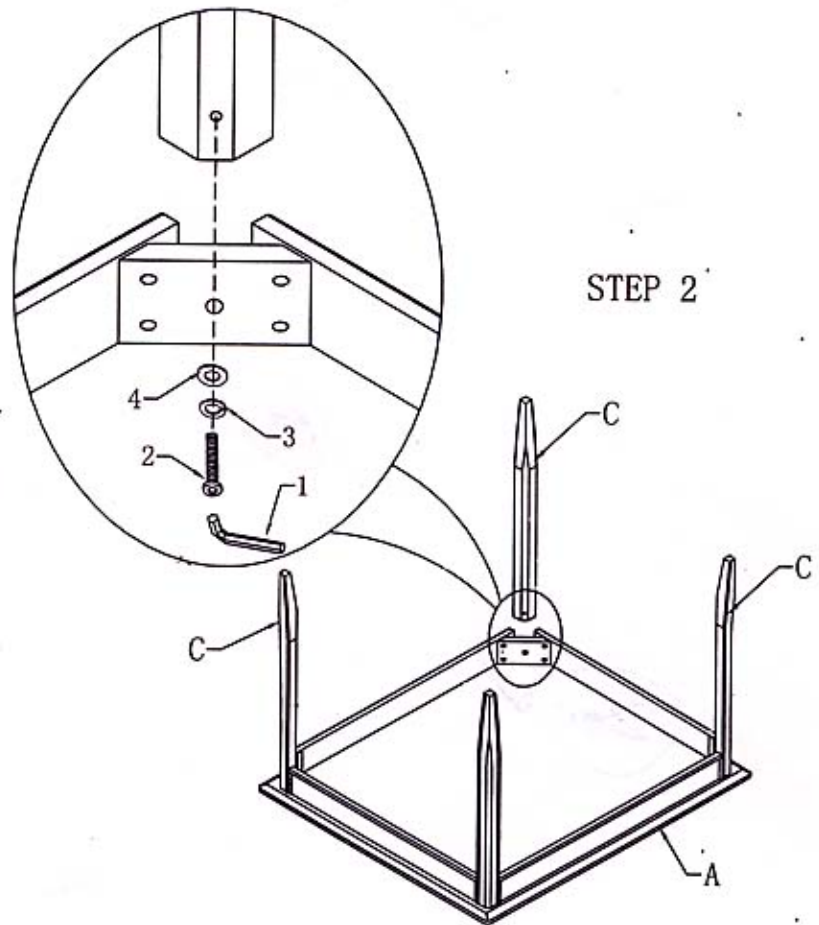
**Step 1.** Unpack carton on a smooth clean non-abrasive surface and inventory parts.

**Step 2.** Attach the 4 pcs legs (C) to table top (A) by using flat washer (4) & spring washer (3) and bolt (2).

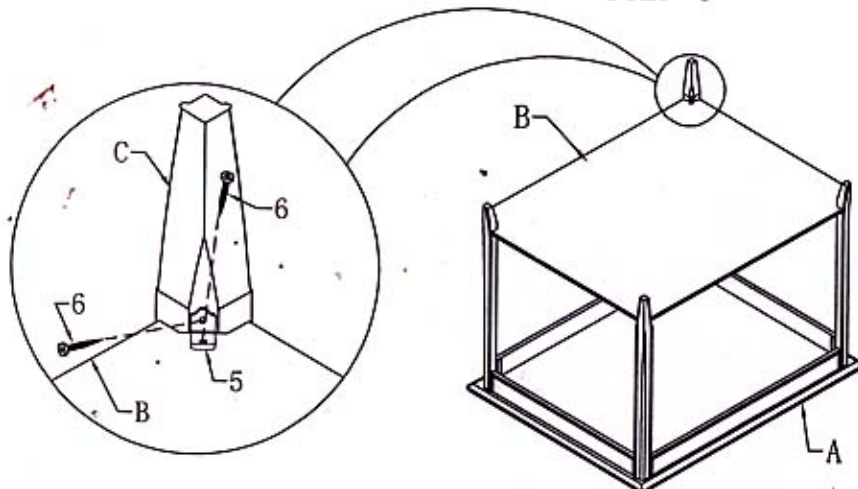
**Step 3.** Attach the bottom shelf (B) to table legs (C) by using metal bracket (5) and wood screw (6).

**Step 4.** Carefully turn table upright.

Assembly is now complete  
Thank you for choosing it



### STEP 3



### STEP 4

