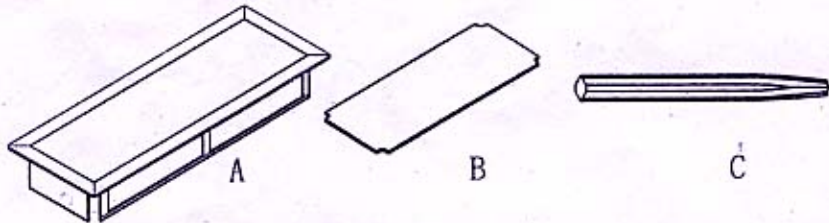


**Caution: Two people are recommended for assembly.**

### AM186S Assembly Instructions

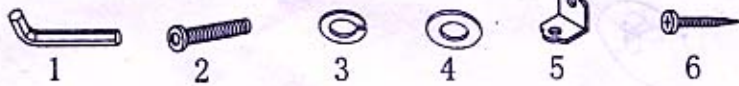
#### Components List:

- A. Table Top ..... 1 pc
- B. Bottom Shelf ..... 1 pc
- C. Legs ..... 4 pcs



#### Hardware List:

- 1. Allen Wrench .... 1 pc
- 2. Bolt ..... 8 pcs
- 3. Spring Washer .... 8 pcs
- 4. Flat washer ..... 8 pcs
- 5. Metal Bracket .... 4 pcs
- 6. Screw ..... 8 pcs



NOTE: Hardware pack is located on back of table Top(A)

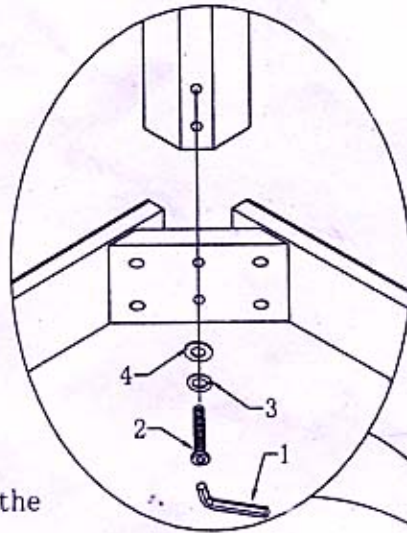
**Step1.** Unpack carton on a smooth clean non-abrasive surface and inventory parts.

**Step2.** Pull out the drawer. Attach the 4 pcs legs(C) to table top(A) by using flat washer(4) & spring washer(3) and bolt(2).

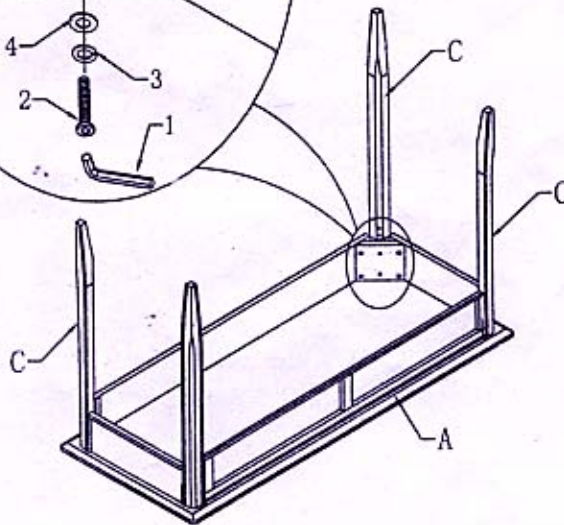
**Step3.** Attach the bottom shelf(B) to table legs(C) by using metal bracket(5) and wood screw(6).

**Step4.** Carefully turn table upright. Insert the drawers.

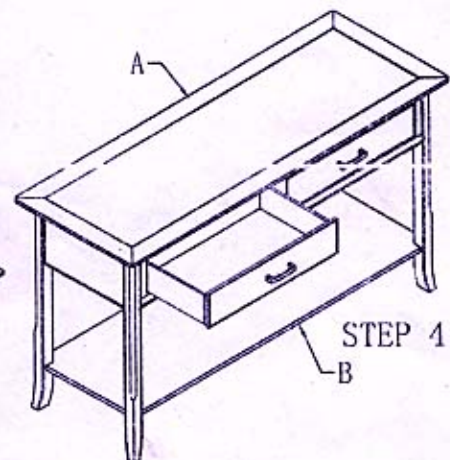
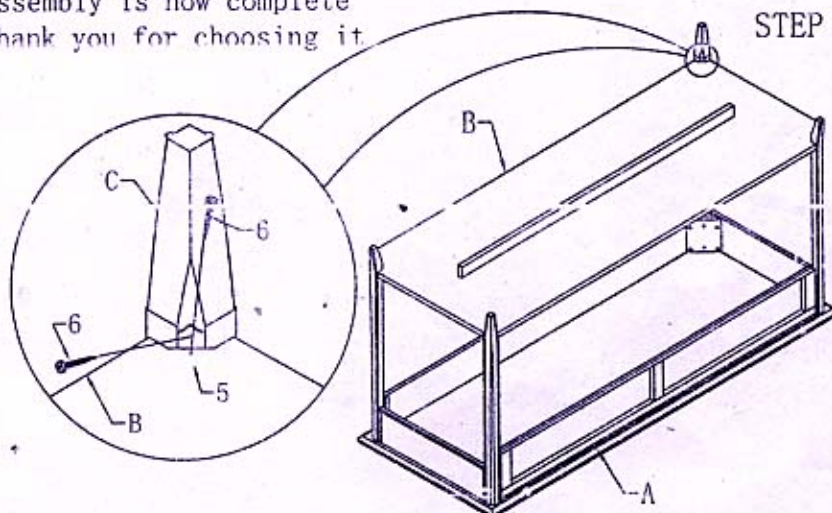
Assembly is now complete  
Thank you for choosing it.



STEP 2



STEP 3



STEP 4