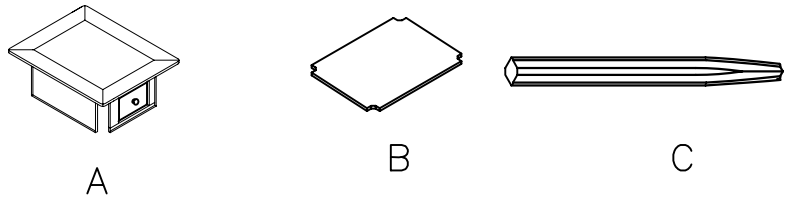


Caution: Two people are recommended for assembly.

T2-M188E Assembly Instructions

Components List:

- A. Table Top..... 1 pc
- B. Bottom Shelf..... 1 pc
- C. Legs..... 4 pcs



Hardware List:

- 1. Allen Wrench 1 pc
- 2. Bolt 8 pcs
- 3. Spring Washer..... 8 pcs
- 4. Flat washer..... 8 pcs
- 5. Metal Bracket... 4 pcs
- 6. Screw..... 8 pcs



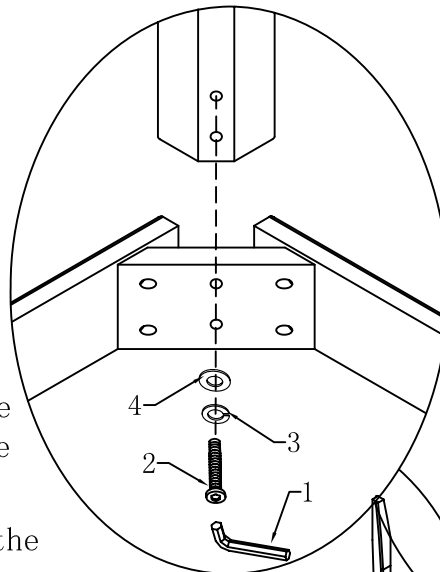
NOTE: Hardware pack is located on back of table Top(A)

Step1. Unpack carton and inventory parts. Turn the table top (A) upside down on a smooth clean non-abrasive surface.

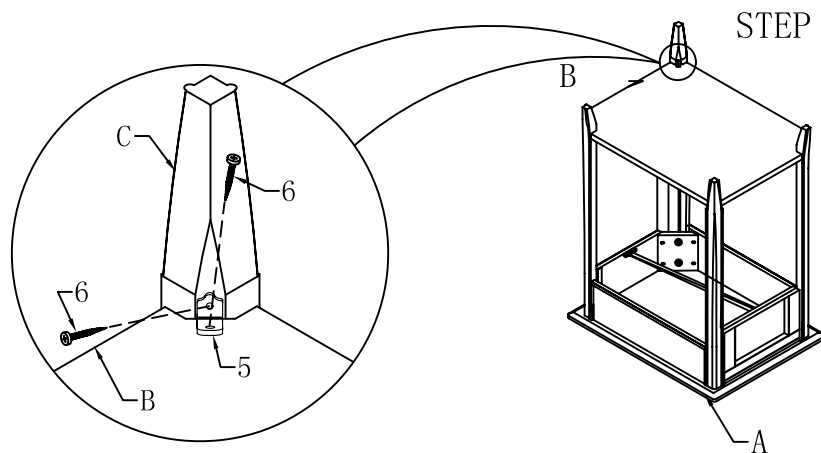
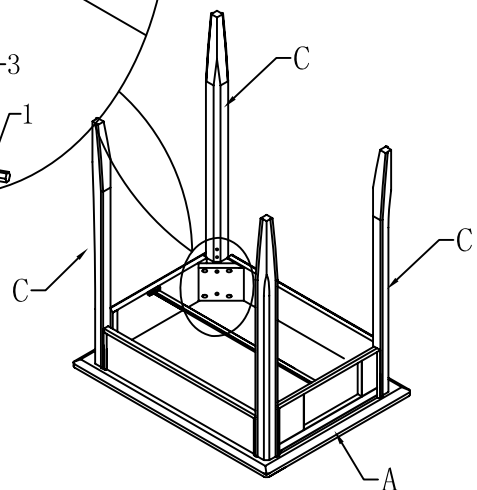
Step2. Pull out the drawer. Attach the 4 pcs legs(C) to table top(A) by using flat washer(4) spring washer(3) bolt(2) and allen wrench(1).

Step3. Attach the bottom shelf(B) to table legs(C) by using metal bracket(5) and wood screw(6).

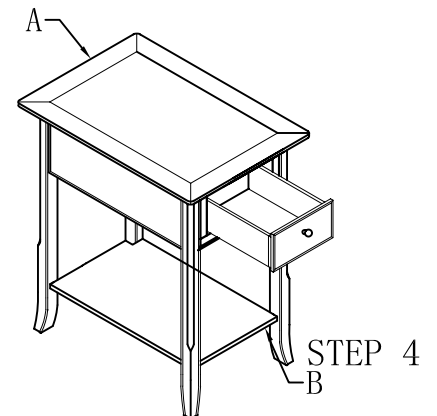
Step4. Carefully turn table upright. Insert the drawer.
Assembly is now complete
Thank you for your purchase.



STEP 2



STEP 3



STEP 4