


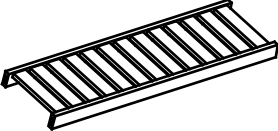


# Assembly Instructions

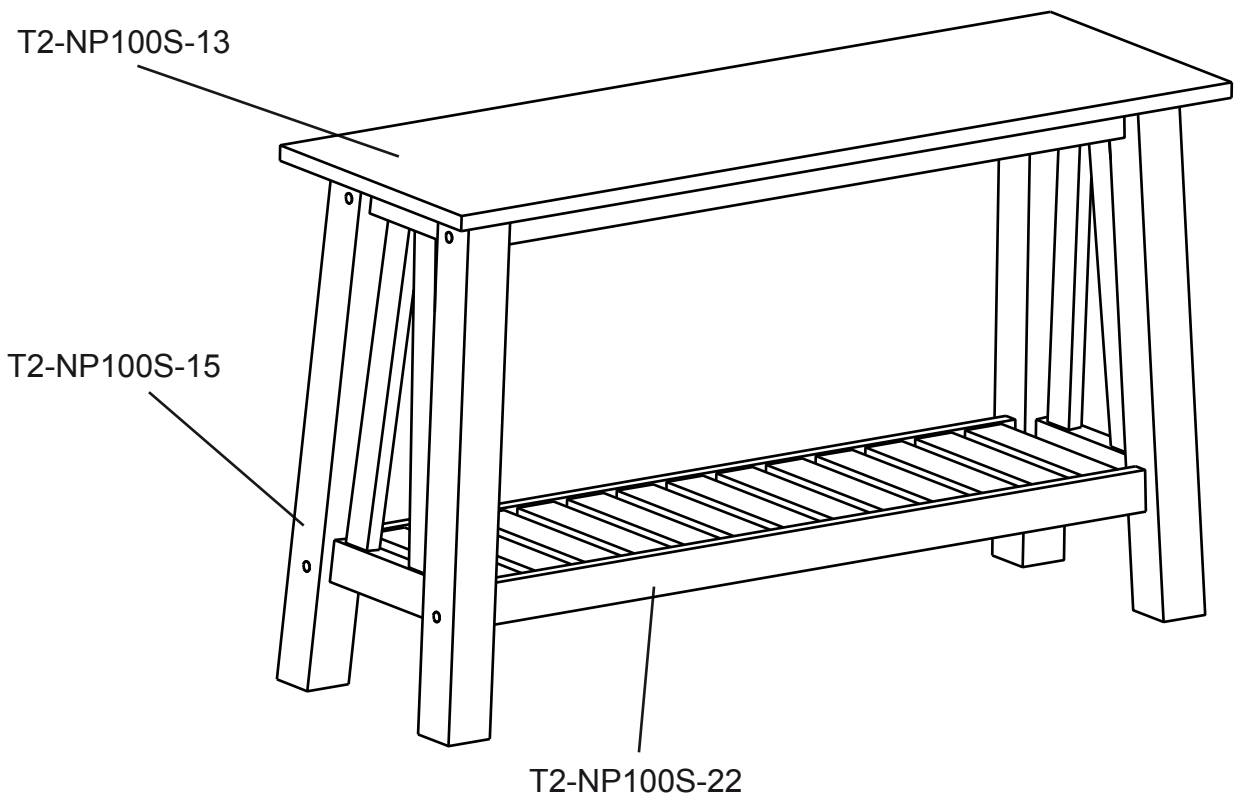
T2-NP100S--0

SOFA TABLE

## PARTS LIST

PART NO	FIGURE	DESCRIPTION	QTY
T2-NP100S-01		Hardware Bag	1 pce
T2-NP100S-13		Table Top	1 pce
T2-NP100S-15		Trestle Base	2 pcs
T2-NP100S-22		Fixed Shelf	1 pce

**IMPORTANT NOTE :** Please keep all hardware parts out of the reach of children.



# Assembly Instructions






T2-NP100S--0

SOFA TABLE

## Reminders :

- Two people are needed for assembly.
- Use only hardware supplied.
- Do not over tighten bolts.
- This item may require periodic tightening.

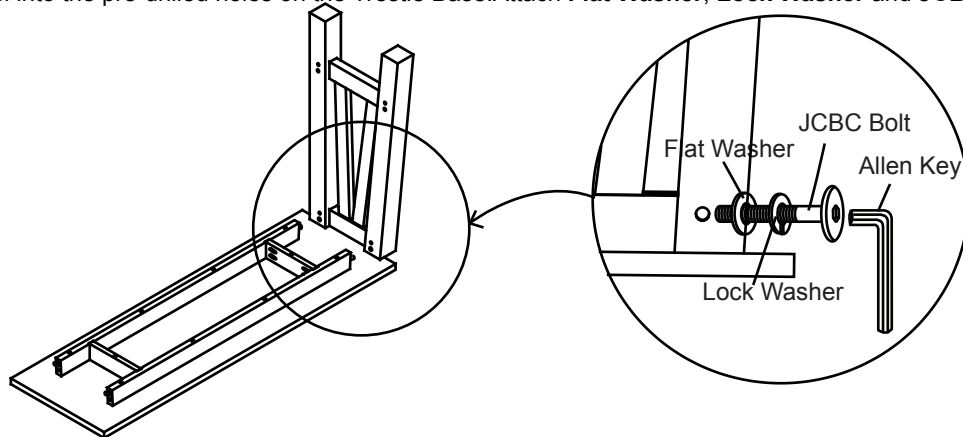
## HARDWARE PART :

				
JCBC Bolt 8 pcs	Lock Washer 8 pcs	Flat Washer 8 pcs	Wood Button 8 pcs	Allen Key 1 pce

## ASSEMBLY :

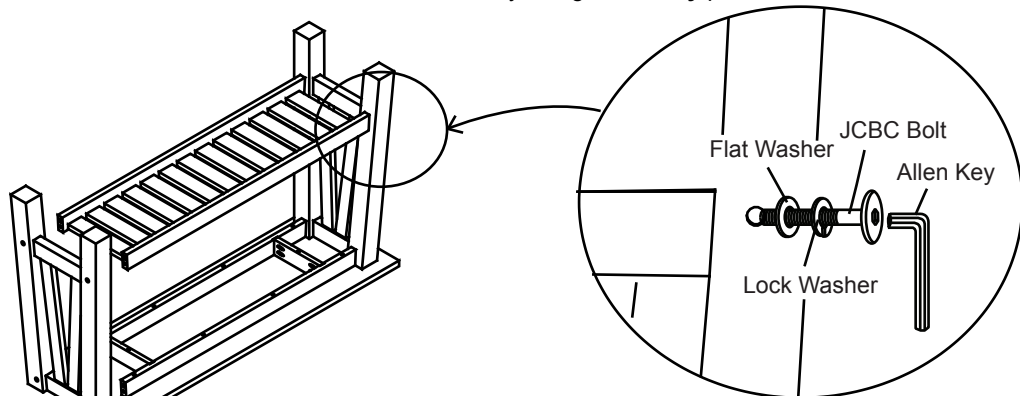
### STEP 1

Turn the Table Top upside down on a protective surface such as carpet or other soft material. Attach the Trestle Base to the Top Table by inserting the wood dowel into the pre-drilled holes on the Trestle Base. Attach **Flat Washer**, **Lock Washer** and **JCBC Bolt** by using **Allen Key** provided.



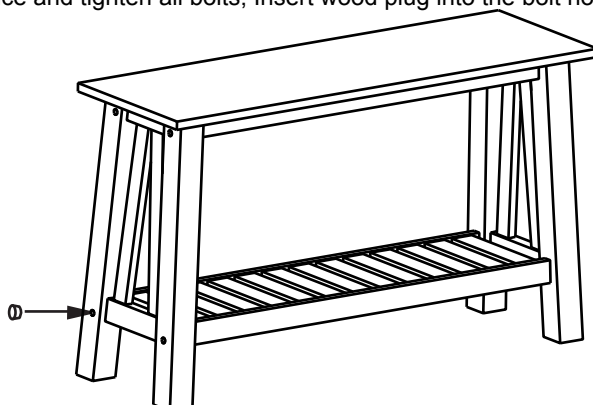
### STEP 2

Insert the Fixed Shelf into the Trestle Base and then insert another one Trestle Base by inserting the wood dowel into the pre-drilled holes on the Trestle Base. Attach **Flat Washer**, **Lock Washer** and **JCBC Bolt** by using **Allen Key** provided.



### STEP 3

Check its balance and tighten all bolts, Insert wood plug into the bolt holes on trestle to complete the assembly.



#### IMPORTANT NOTE :

~ Please keep all hardware out of the reach of children.

#### CARE INSTRUCTION

- ~ Be sure to use the same type of polish consistently. Your furniture will appear cloudy or streaky if oil based or wax based polishes are interchanged.
- ~ Spray your furniture surface evenly. Wipe in a circular motion with a soft clean cloth.