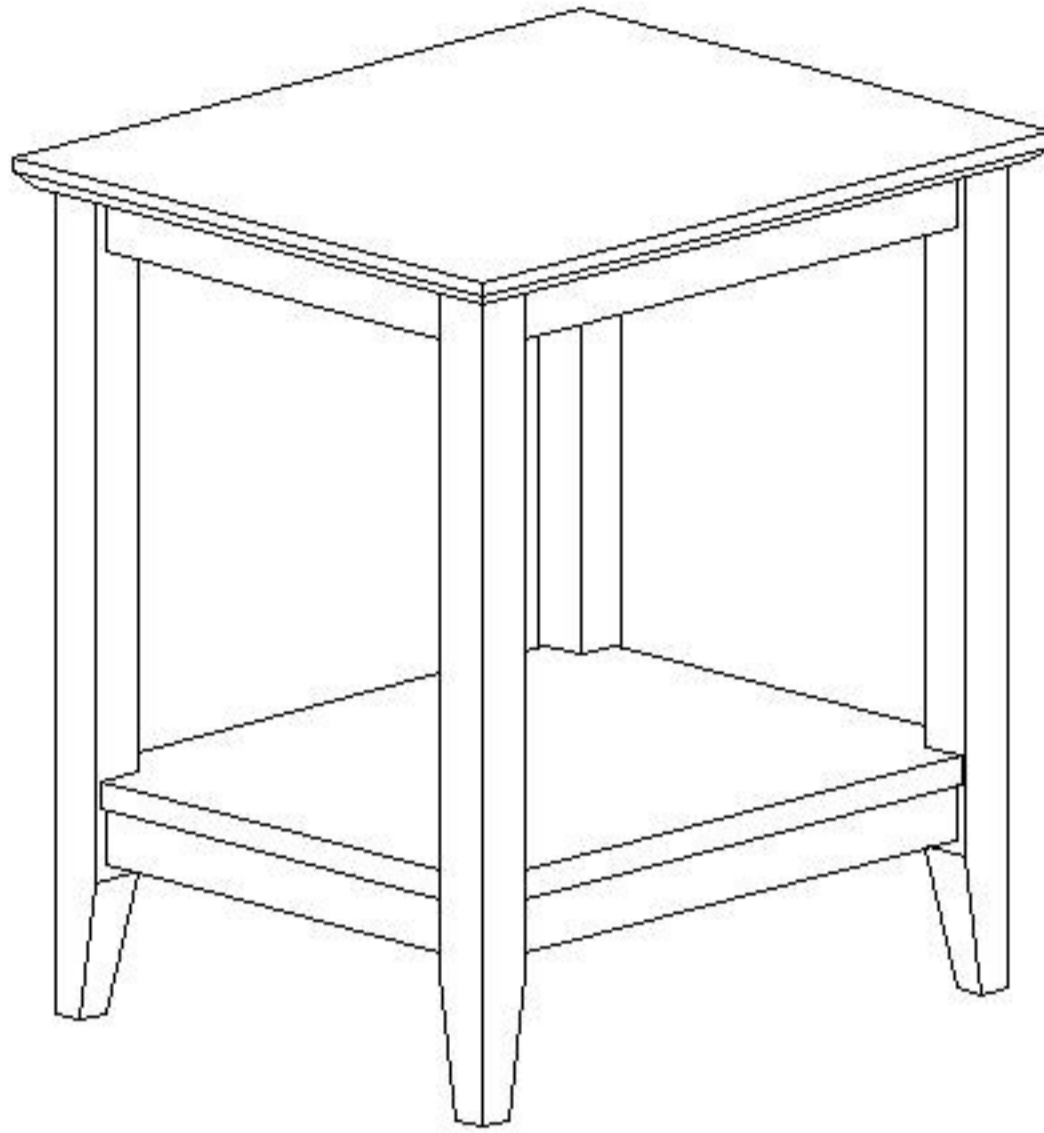


QUADRA END TABLE

ASSEMBLY INSTRUCTION

Pg.1/2



Thank you for purchasing this quality product. Be sure to check all packing material carefully for small parts that may come loose inside the carton box during shipment.

IMPORTANT

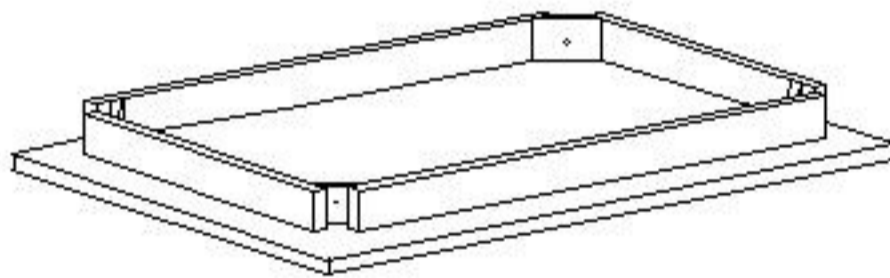
Please go through this assembly instruction before starting assembly. Kindly follow the sequence listed to assure fast, easy and correct assembly.

CARE & MAINTENANCE

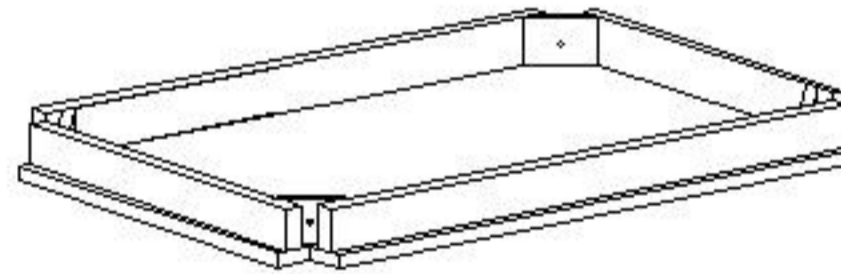
Wipe clean with soft cloth and furniture polish.

MADE IN MALAYSIA

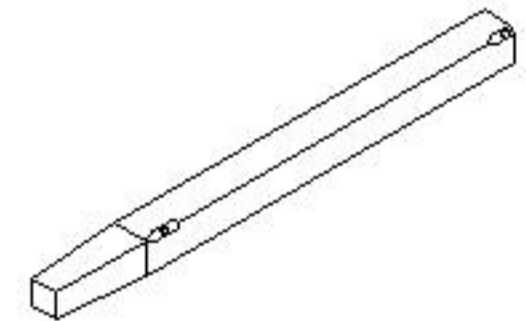
PARTS LIST



(A)
Table Top - 1 pc



(B)
Fixed Shelf - 1 pc



(C)
Leg - 4 pcs

HARDWARE LIST



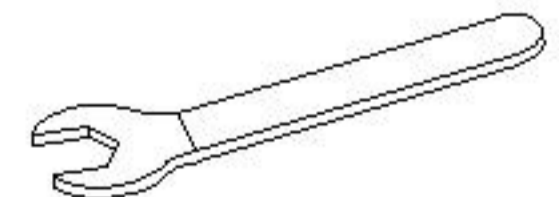
(1) M6x60mm
Hexagon Bolt - 8 pcs



(2) M6 Spring
Washer - 8 pcs



(3) M6x16mm Flat
Washer - 8 pcs



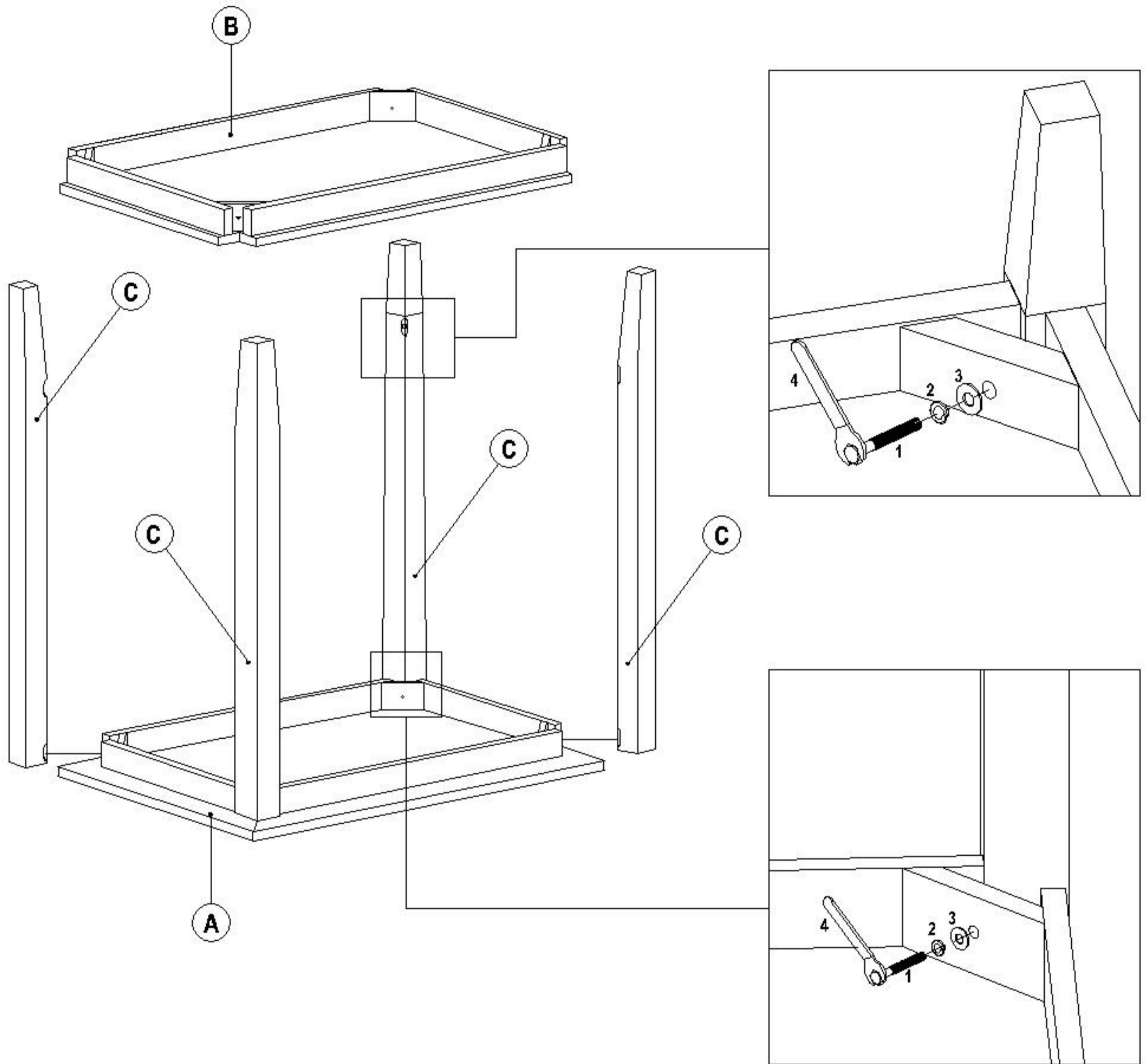
(4) 10mm Wrench - 1 pc

Note: EXTRA hardware are included

QUADRA END TABLE

ASSEMBLY INSTRUCTION

Pg.2/2



1

(i) Carefully place the **TABLE TOP (A)** on a flat safe surface.

NOTE: Please find a suitable surface to avoid damaging the parts.

(ii) Attach **LEG (C)** to the **TABLE TOP (A)** & **FIXED SHELF (B)** using Hexagon Bolts (1) together with Spring Washer (2) & Flat Washer (3).

(iii) Fully tighten Hexagon Bolts (1) with 10mm Wrench (4).