





ASSEMBLY INSTRUCTIONS

MODEL : T2-RC100C- -O / T2-RC100C- -W

IMPORTANT NOTE :

- * PLACE ALL WOODEN PARTS ON A CLEAN AND SMOOTH SUCH AS A RUG OR CARPET TO AVOID THE PARTS FROM BEING SCRATCHED.
- * BEFORE YOU BEING, KINDLY FOLLOW THE ASSEMBLY INSTRUCTIONS STEP BY STEP.

HARDWARE LIST

A	JCBC M6 x 60mm + S/W M6 + F/W M6 x 13mm		8PCS
B	JCBC M6 x 30mm + S/W M6 + F/W M6 x 13mm		4PCS
C	JCBC M6 x 35mm + S/W M6 + F/W M6 x 19mm		2PCS
D	ALLEN KEY M4 (BALL SHAPE)		1PC

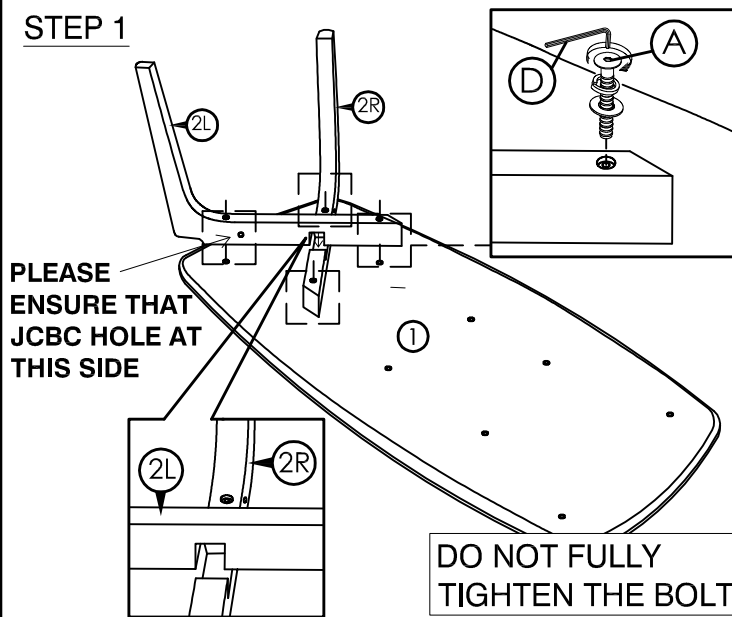
PART LIST

1	TABLE TOP	1PC
2	TABLE LEG L/R	4PCS
3	LEG SUPPORT	2PCS

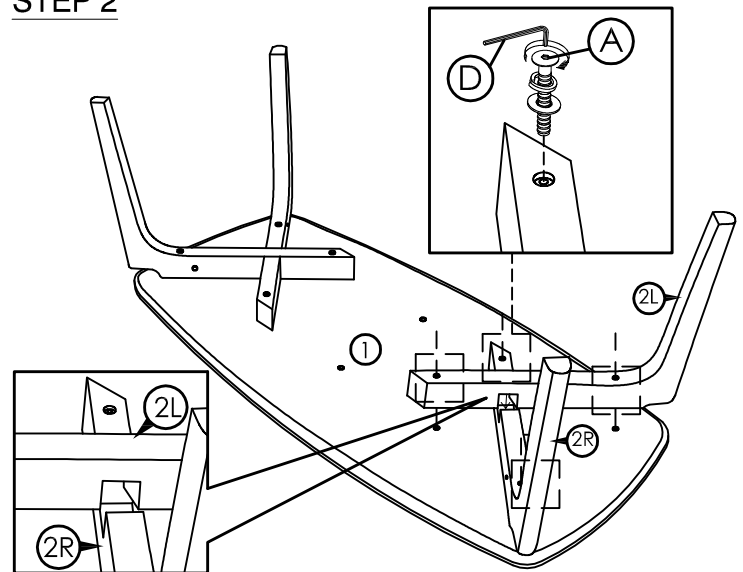


COMPLETED COFFEE TABLE ASSEMBLY.

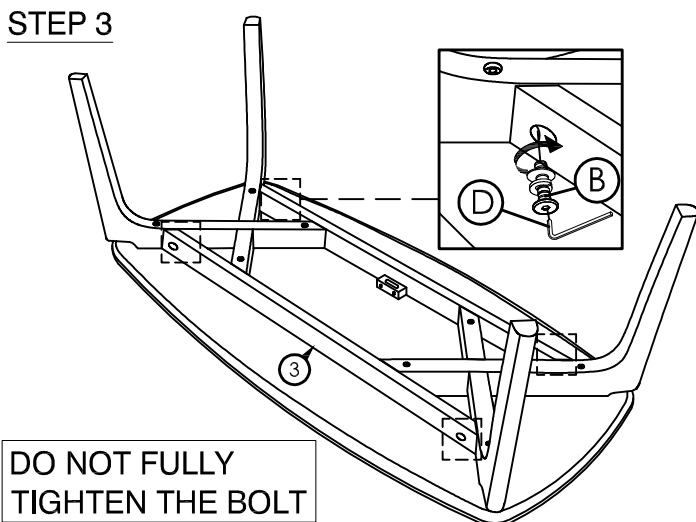
STEP 1



STEP 2



STEP 3



STEP 4

