

WINNERS ONLY®

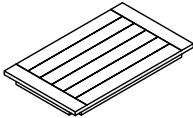




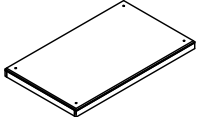

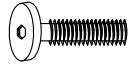
ASSEMBLY INSTRUCTIONS

Reminders

1. Use only the hardware supplied.
2. Do not over-tighten bolts.
3. This item may require periodic tightening.

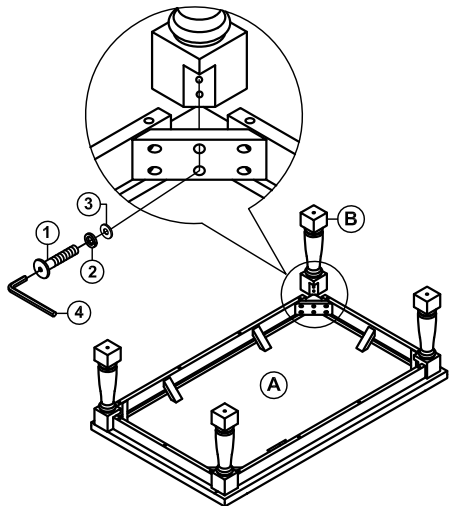
PROD. NO : T2-SN100C - -G
T2-SN100C - -X

Hardware List :

| COMPONENTS LIST | | | QTY | NO | DESCRIPTION | SIZE | SKETCH | QTY |
|-----------------|--------------|---|------|----|---------------|--------------|---|-------|
| A | Table Top |  | 1pc | 1 | Long Bolt | Ø1/4"x 57mm |  | 8pcs |
| B | Table Legs |  | 4pcs | 2 | Spring Washer | Ø5/16"x 12mm |  | 12pcs |
| | | | | 3 | Flat Washer | Ø5/16"x 19mm |  | 12pcs |
| C | Bottom Shelf |  | 1pc | 4 | Allen Key | 58x 23x 4mm |  | 1pc |
| | | | | 5 | Short Bolt | Ø1/4"x 45mm |  | 4pcs |

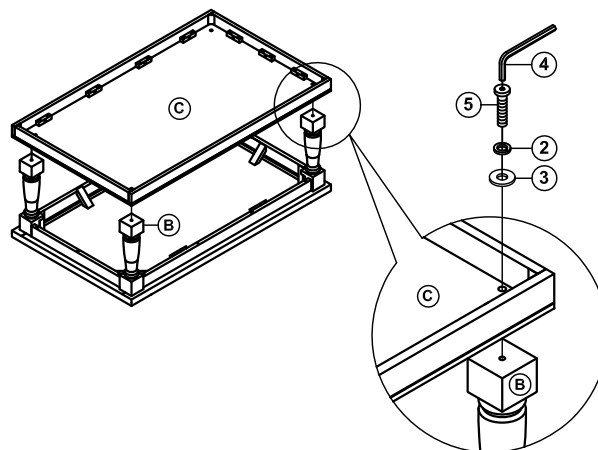
STEP 1:

Turn Table Top (A) upside down on a soft protective surface such as a carpet. Attach Table Leg (B) to the Table Top (A), using long Bolt (1), spring washer (2), flat washer (3), tighten with allen key (4).



STEP 2:

Attach Bottom Shelf (C) to the Table Leg (B), using short bolt (5), spring washer (2), flat washer (3), tighten with allen key (4).



STEP 3:

Assembly is now complete, thank you for your purchase.

