

WINNERS ONLY®

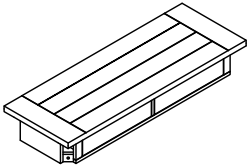
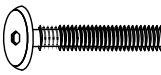
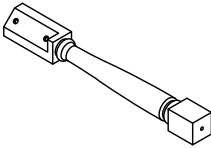


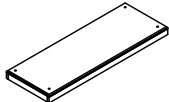

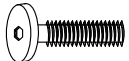
ASSEMBLY INSTRUCTIONS

Reminders

1. Use only the hardware supplied.
2. Do not over-tighten bolts.
3. This item may require periodic tightening.

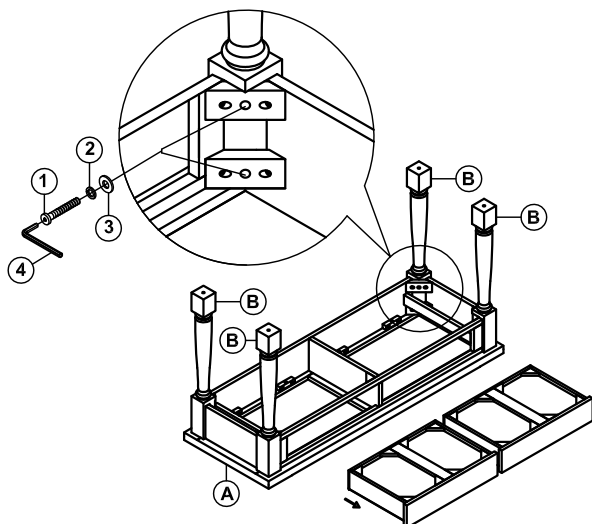
PROD. NO : T2-SN100S - -G
T2-SN100S - -X

Hardware List :

COMPONENTS LIST			QTY	NO	DESCRIPTION	SIZE	SKETCH	QTY
A	Table Top		1pc	1	Long Bolt	Ø1/4"x 57mm		8pcs
B	Table Legs		4pcs	2	Spring Washer	Ø5/16"x12mm		12pcs
				3	FlatWasher	Ø5/16"x 19mm		12pcs
C	Bottom Shelf		1pc	4	Allen Key	58x 23x 4mm		1pc
				5	Short Bolt	Ø1/4"x 45mm		4pcs

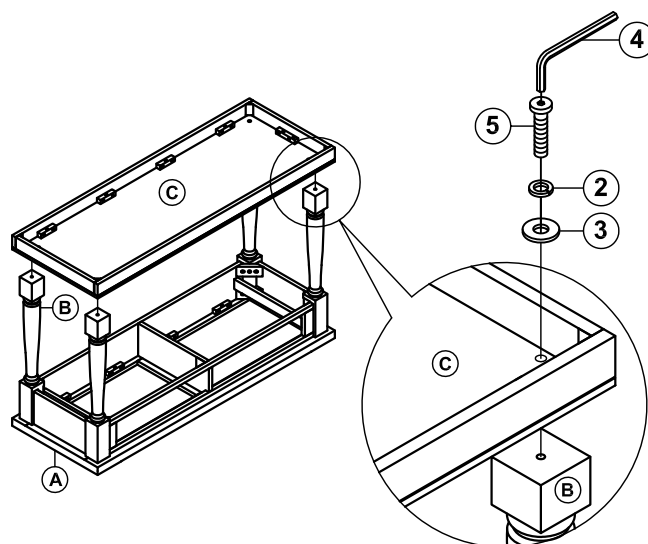
STEP 1:

Turn Table Top (A) upside down on a soft protective surface such as a carpet. Pull the drawer completely out of the unit. Attach four Legs (B), to Table Top (A), using long bolt (1), spring washer (2), flat washer (3) and Tighten with allen key (4), as shown in the diagram.



STEP 2:

Attach Bottom Shelf (C) to the Table Leg (B), using Short Bolt (5), spring washer (2), flat washer (3). Tighten with allen key (4).



STEP 3:

Turn the table to upright position and install the drawers back in. Attach Knob to the drawers using Screwdriver (not included). Assembly is now complete. Thank you for your purchase.

Important:

(Be sure to move the ball bearing retainer all the way to the front of the glide and carefully slide the rails into the glides and ball bearing retainer.)

ball bearing
retainer

