

# WINNERS ONLY®

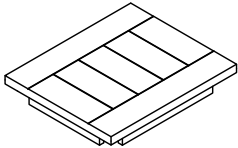




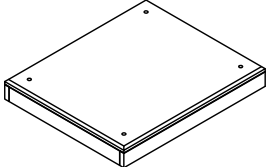

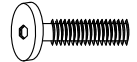
## ASSEMBLY INSTRUCTIONS

### Reminders

1. Use only the hardware supplied.
2. Do not over-tighten bolts.
3. This item may require periodic tightening.

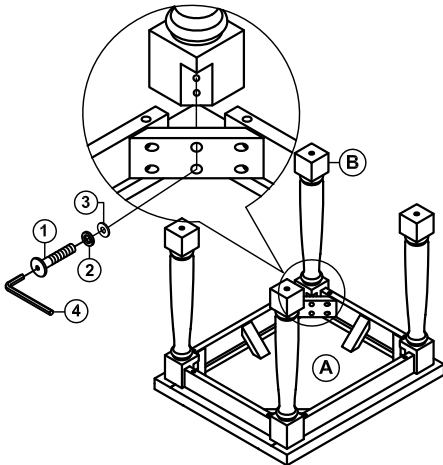
**PROD. NO : T2-SN102E - -G  
T2-SN102E - -X**

### Hardware List :

COMPONENTS LIST			QTY	NO	DESCRIPTION	SIZE	SKETCH	QTY
A	Table Top		1pc	1	Long Bolt	Ø1/4"x 57mm		8pcs
B	Table Legs		4pcs	2	Spring Washer	Ø5/16"x 12mm		12pcs
				3	Flat Washer	Ø5/16"x 19mm		12pcs
C	Bottom Shelf		1pc	4	Allen Key	58x 23x 4mm		1pc
				5	Short Bolt	Ø1/4"x 45mm		4pcs

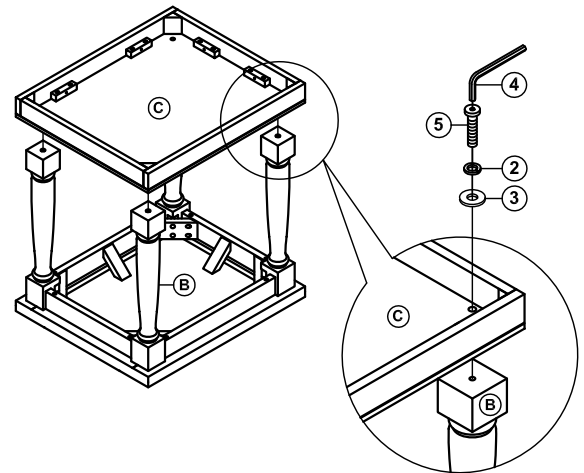
### STEP 1:

Turn Table Top (A) upside down on a soft protective surface such as a carpet. Attach Table Leg (B) to the Table Top (A), using long Bolt (1), spring washer (2), flat washer (3), tighten with allen key (4).



### STEP 2:

Attach Bottom Shelf (C) to the Table Leg (B), using short bolt (5), spring washer (2), flat washer (3), tighten with allen key (4).



### STEP 3:

Assembly is now complete, thank you for your purchase.

