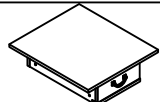
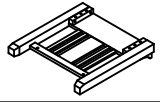

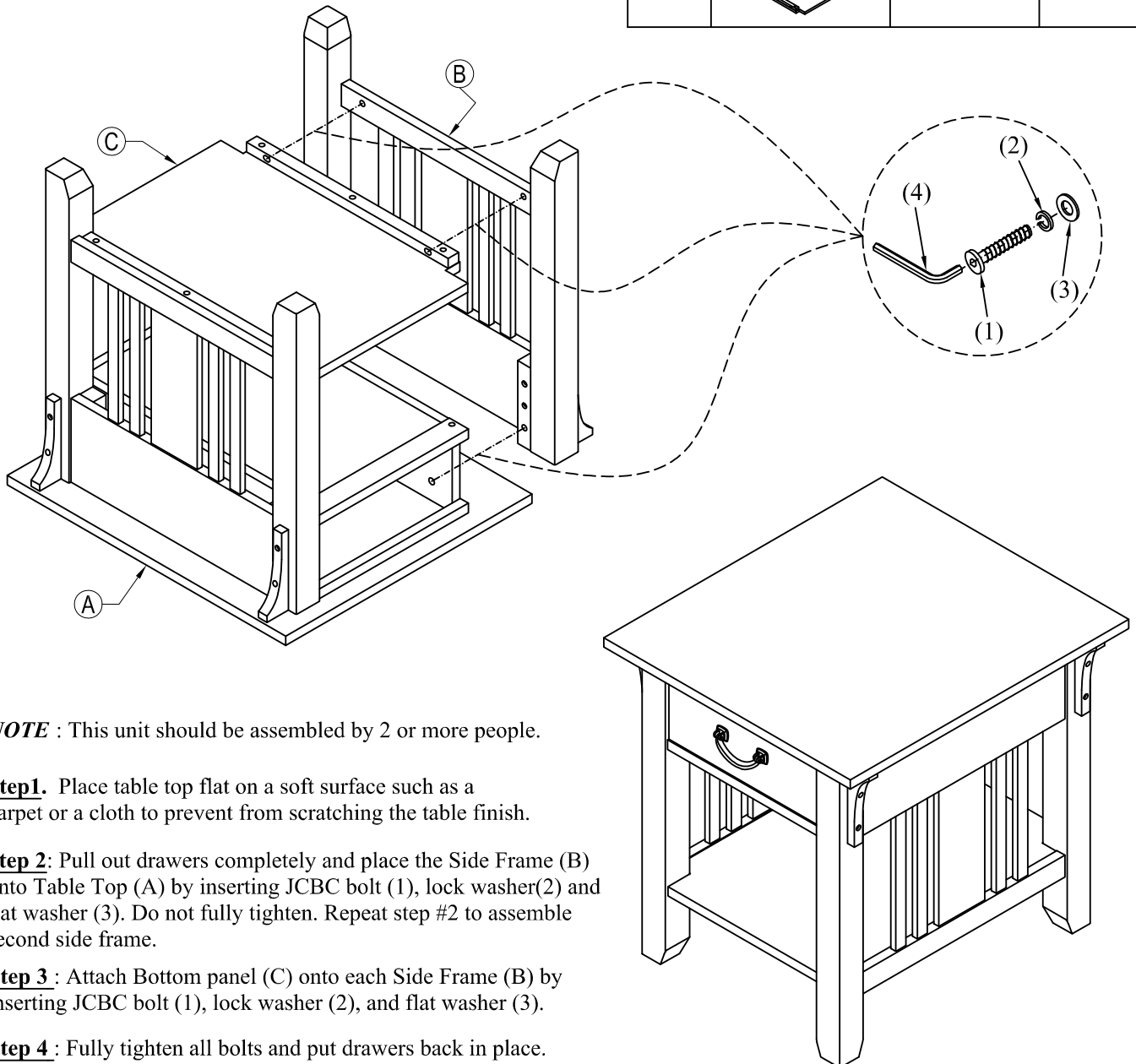


T2-ZH100E-O

## ZAHARA END TABLE

NO.	HARDWARE LIST	Q'TY
1	 JCBC Bolt 5/16" x 1-1/2"	12
2	 $\phi 5/16$ " Lock Washer	12
3	 $\phi 5/16$ " Flat Washer	12
4	 Allen Key	1

NO.	PARTS LIST	Q'TY
A	 Table Top	1
B	 Side Frame	2
C	 Bottom Panel	1



**NOTE :** This unit should be assembled by 2 or more people.

**Step1.** Place table top flat on a soft surface such as a carpet or a cloth to prevent from scratching the table finish.

**Step 2:** Pull out drawers completely and place the Side Frame (B) onto Table Top (A) by inserting JCBC bolt (1), lock washer(2) and flat washer (3). Do not fully tighten. Repeat step #2 to assemble second side frame.

**Step 3 :** Attach Bottom panel (C) onto each Side Frame (B) by inserting JCBC bolt (1), lock washer (2), and flat washer (3).

**Step 4 :** Fully tighten all bolts and put drawers back in place. Assemble is now complete. Thank you for your purchase.